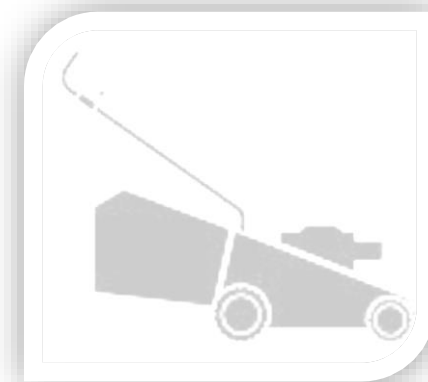


# LAWN MOWERS BLADE TORQUE



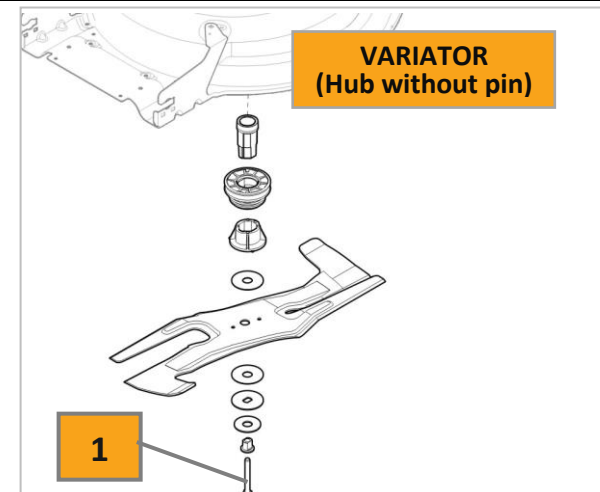
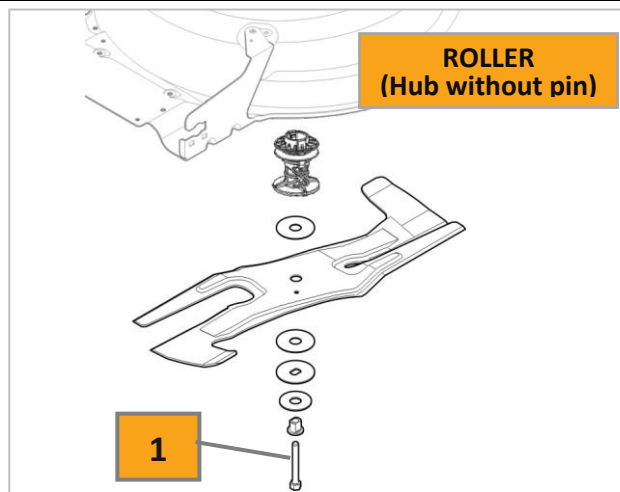
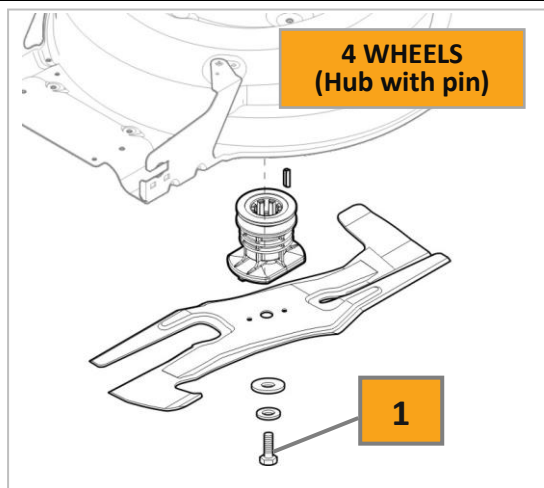
PETROL Models



### LAWN MOWERS BLADE TORQUE

Tighten the screw (1) accordingly the values listed in the following tables.

TECHNICAL LINE	MODEL with....	Type (Omologation Name)	MODEL NAME per BRAND					Torque (Nm)
MP2 PETROL (50-55)	4 WHEELS (Hub with pin)	MP2 50	TWINCLIP 50 SEQ B TWINCLIP 50 S	-	-	-	-	40 ÷ 45
		MP2 55	TWINCLIP 55 S B TWINCLIP 55 SEQ B TWINCLIP 55 SQ B TWINCLIP 55 S H BBC	-	-	-	-	
	ROLLER (Hub without pin)	MP2 50	-	-	S501R PD	-	-	50 ÷ 55
		MP2 55	TWINCLIP 55 S-R H BBC	-	-	-	-	
	VARIATOR 4 WHEELS & ROLLER (Hub without pin)	MP2 50	TWINCLIP 50 SV H TWINCLIP 50 SVEQ B TWINCLIP 50 SVE-R B	-	SP505 V SP505R V	LINER 19S V LINER 19SE V	-	
MP2 50-55		TWINCLIP 55 SV H TWINCLIP 55 SVEQ B	-	SP505 - 555 V SP555R V	LINER 22SH V QUATTRO 22S V 4in1	-		



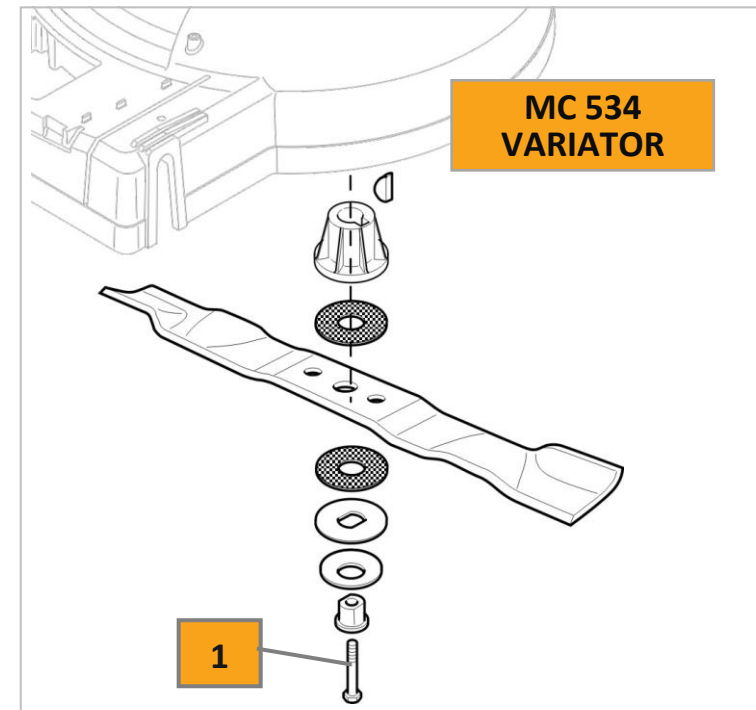
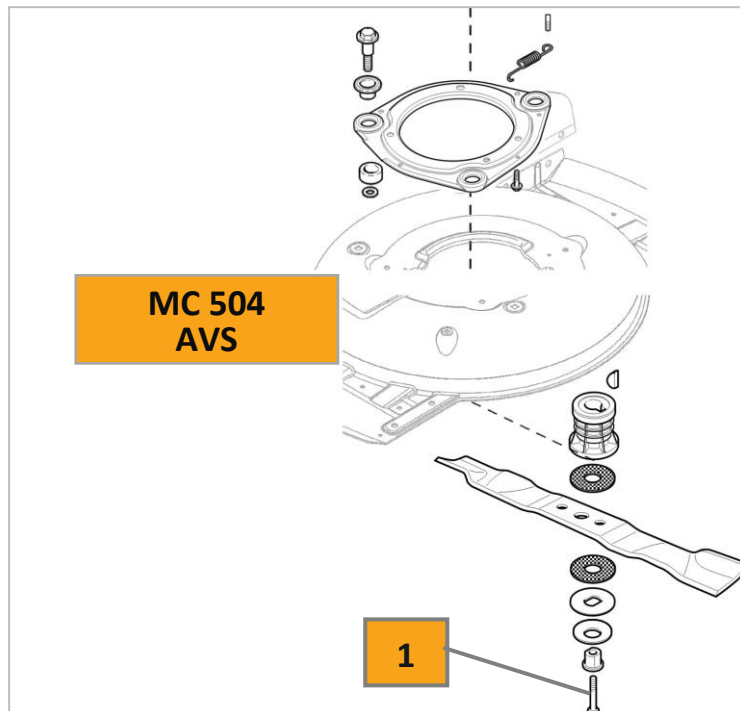


**PETROL**  
**LAWN MOWER**

### LAWN MOWERS BLADE TORQUE

Tighten the screw (1) accordingly the values listed in the following tables.

TECHNICAL LINE	MODEL with....	Type (Omologation Name)	MODEL NAME per BRAND					Torque (Nm)
			<b>STIGA</b>	<b>ALPINK</b>	<b>Mountfield</b>	<b>ATCO</b>	<b>CASTELGARDEN</b>	
MULTICLIP STEEL (MCS 50)	AVS	MCS 504	MULTICLIP RENTAL 50 S B MULTICLIP PRO 50 ..... MULTICLIP PRO 50 S .....	BL 480 M	MULTICLIP 500 PD	-	-	40 ÷ 45
MULTICLIP ALLUMINIUM (MCS 53)	VARIATOR	MC 534	MULTICLIP PRO 53 SV ..... MULTICLIP PLUS 50 SEV B	-	-	-	-	

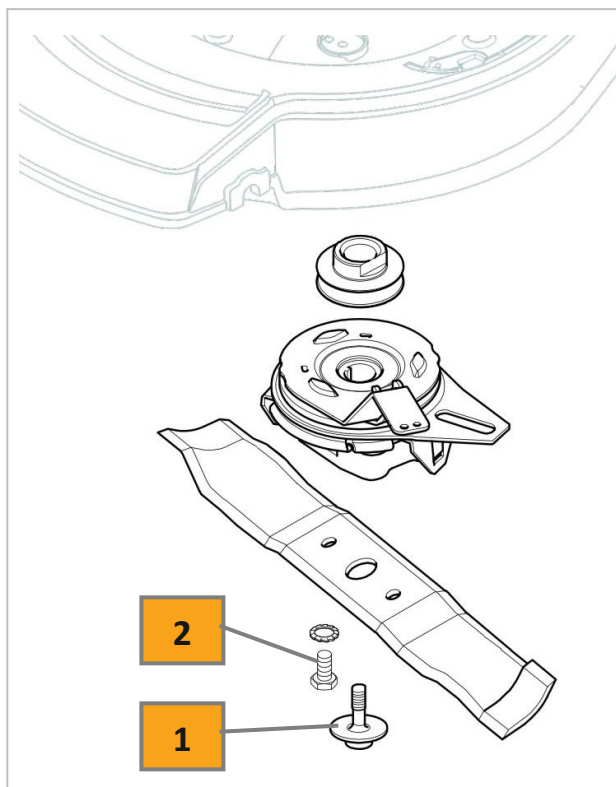




### LAWN MOWERS BLADE TORQUE

Tighten the screws (1 and 2)) accordingly the values listed in the following tables.

TECHNICAL LINE	MODEL with....	Type (Omologation Name)	MODEL NAME per BRAND					Torque (Nm)	
			STIGA	ALPINK	Mountfield	ATCO	CASTELGARDEN		
NEW TREND NT 53	BBC	NT 534	TURBO 53 SQ H BBC	AL7 51 SHC	SP 534 HW BBC	-	XSPW 57 MBS BBC	1	60 ÷ 70
								2	50 ÷ 55





### LAWN MOWERS BLADE TORQUE

Tighten the screws (1) accordingly the values listed in the following tables.

TECHNICAL LINE	Type (Omologation Name)	MODEL NAME per BRAND					Torque (Nm)
		<b>STIGA</b>	<b>ALPINK</b>	<b>Mountfield</b>	<b>ATCO</b>	<b>CASTELGARDEN</b>	
CRUISER 43/48/53	CR434/484 CS434/484/534	COMBI 48 – 53 .... COLLECTOR 43 – 48 ...	A 410-460-510.... (AL3 - AL4) 46-51 ... BL 410-46-510....	S42-46-..... SP42-46-48-53....	QUATTRO 16-18 CLASSIC 20	XC 43-46-48-53.... XR 48-53.... XSEW 50-55....	35 ÷ 40
CP-1 43/48/53	CP1 434/484/534	COMBI 43 – 48 COLLECTOR 43 – 48 ...	AL5 51	(S – SP) 42-46-..... HP42-45..... HP185	QUATTRO 16 CLASSIC 16-18	-	
DINO 47	DI 474	DINO 47	A450 – BL 450	-	-	-	
EURO STEEL 41/46/53	ES 414-464-534...	COLLECTOR 46-53..... COMBI 46-43.....	BL 390 – BL 440.....	HP 180-183-184-185... SP 180-183-184-185... SP 45-46-53.....	-	-	
PLASTIC EP 41/43	EP 414-EPL424	-	-	EP 414-HP41-SP41...	QUATTRO 14-15	-	
MP1 50/55	MP1 504-534-554	COMBI 50 – 55 .....	(AL6-AL8) 48-53..	S48-SP48-SP53..... HW 53	QUATTRO 19	XS 50 -55.....	





**PETROL**  
**LAWN MOWER**

### LAWN MOWERS BLADE TORQUE

Tighten the screws (1) accordingly the values listed in the following tables.

TECHNICAL LINE	Type (Omologation Name)	MODEL NAME per BRAND					Torque (Nm)
		<b>STIGA</b>	<b>ALPINK</b>	<b>Mountfield</b>	<b>ATCO</b>	<b>CASTELGARDEN</b>	
MULTICLIP 47/50	MCS 474 - 504	MULTICLIP 47-50... MULTICLIP PLUS 50... MULTICLIP PRO 50... MULTICLIP RENTAL 50 MULTICLIP EURO 50...	A 480 BL 450 - 480	MULTICLIP 500	-	XSM 50	<b>35 ÷ 40</b>
NEW TREND 43/48/53	NT 434-484-534	COMBI 48-53..... TURBO 48-53.....	AL 5 46 -51..... AL 6 46 -51..... PREMIUM 4800-5300	HP42-46 S42-46-51 SP42-46-53 S510	LINER 16-18... QUATTRO 18-20	XS 43-48-50-53... XSW 50-55....	
NEW POWER NP53	NP 534	TURBO POWER 53....	AL 7 51..... PREMIUM 5300.....	SP53-55	QUATTRO 21-22 LINER 22	XA 53-55	
PAN 50	PAN 504	TURBO POWER 50....	AL7 48...	SP500	LINER 19 QUATTRO 19	XA 50	
TESTAROSSA 43/48	T 484	-	AL6 46 .....	-	-	XTR 48	

