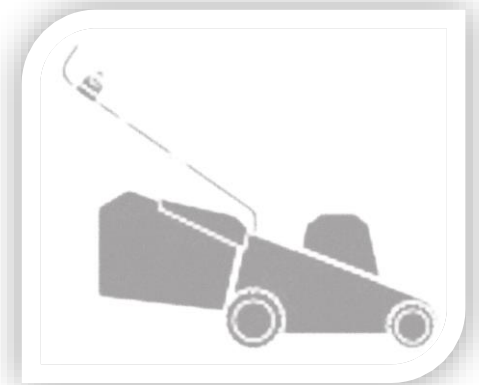
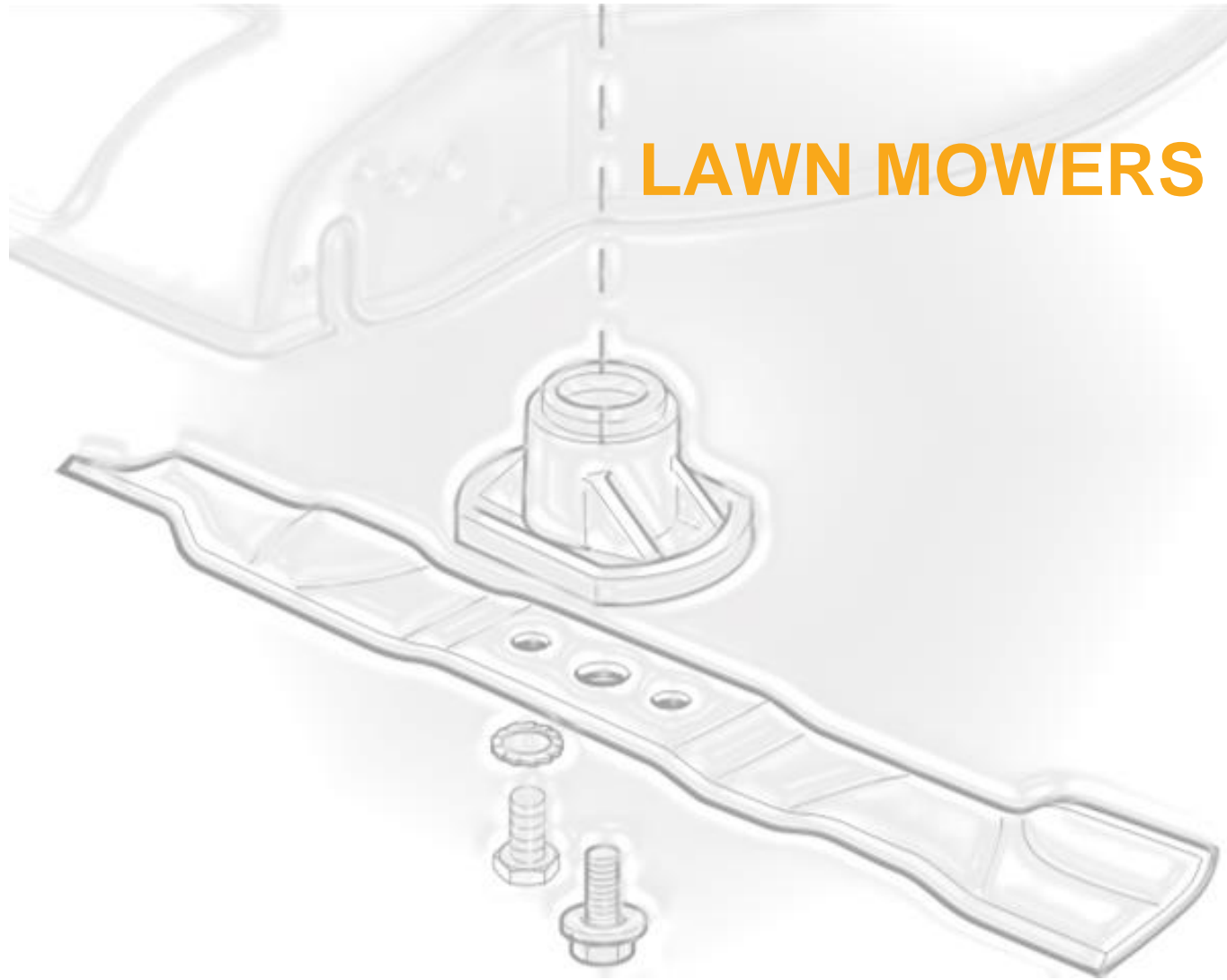


LAWN MOWERS BLADE TORQUE



ELECTRIC Models

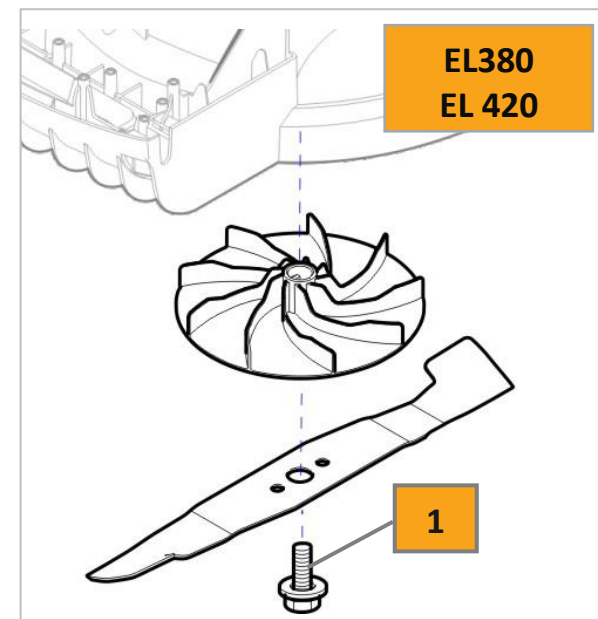
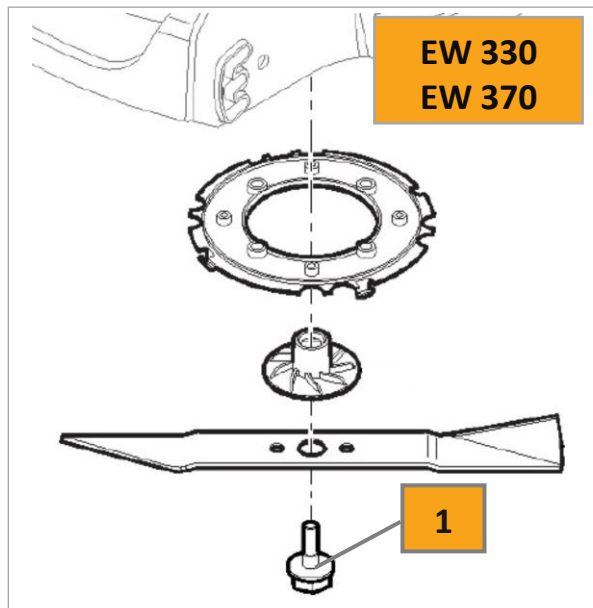
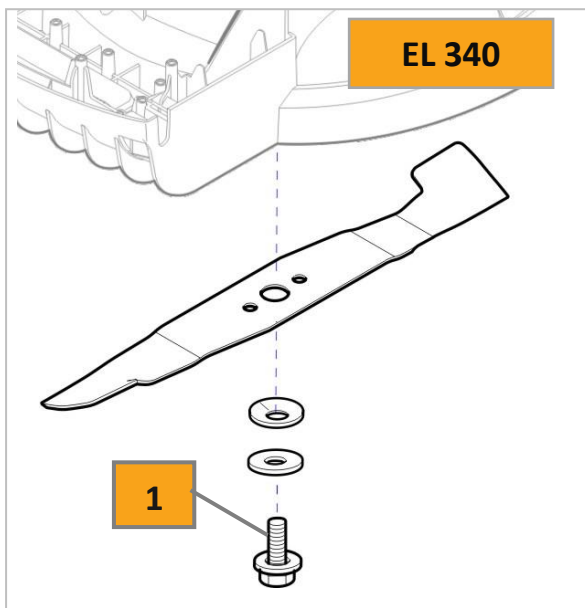


**ELECTRIC
LAWN MOWER**

LAWN MOWERS BLADE TORQUE

Tighten the screw (1) accordingly the values listed in the following tables.

TECHNICAL LINE	Type (Omologation Name)	MODEL NAME per BRAND					Torque (Nm)
ELECTRIC 33-34-37-38-42	EL 340	COMBI 36 E	AL1 34 E	PRINCESS 34	14 E	XP 36	25 ÷ 30
	EW 330 EW 370	COLLECTOR 35 COLLECTOR 39	BL 330-BL 370 BL 320 E- BL 380 E BL 30 EP- BL 380 EP BL 420 EP	-	-	XP 35 XP 39	16 ÷ 18
	EL 380 EL 420	COMBI 40 E COMBI 44 E	AL1 38 E AL1 42 E	PRINCESS 38 PRINCESS 42	15 E 16 E	XP 40 XP 42	18 ÷ 22





**ELECTRIC
LAWN MOWER**

LAWN MOWERS BLADE TORQUE

Tighten the screw (1 - 2) accordingly the values listed in the following tables.

TECHNICAL LINE	Type (Omologation Name)	MODEL NAME per BRAND					Torque (Nm)
		STIGA	ALPINK	Mountfield	ATCO	CASTELGARDEN	
CRUISER 43/48/53	CR430/480 CRL 480 - CSL 480	COMBI 48.....	AL3 46 E AL3 46 SE	-	-	-	1 16 ÷ 18 Nm
EURO STEEL 41/46/53	ES 460 - ESL460	COLLECTOR 46	-	-	-	ES 460	
MULTICLIP	MCS 47 - 50	MULTICLIP 50	-	-	-	-	2 1,5 ÷ 2 Nm
NEW TREND 43/48/53	NT 480 - NTL 480	-	-	EL 4800	-	XS 48.....	

