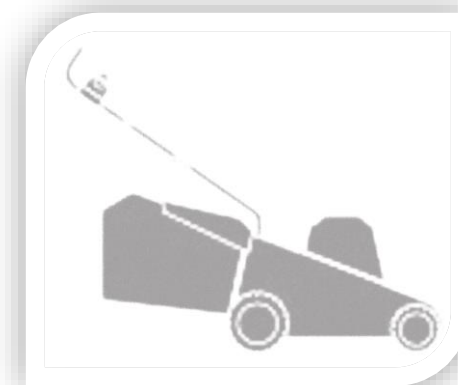
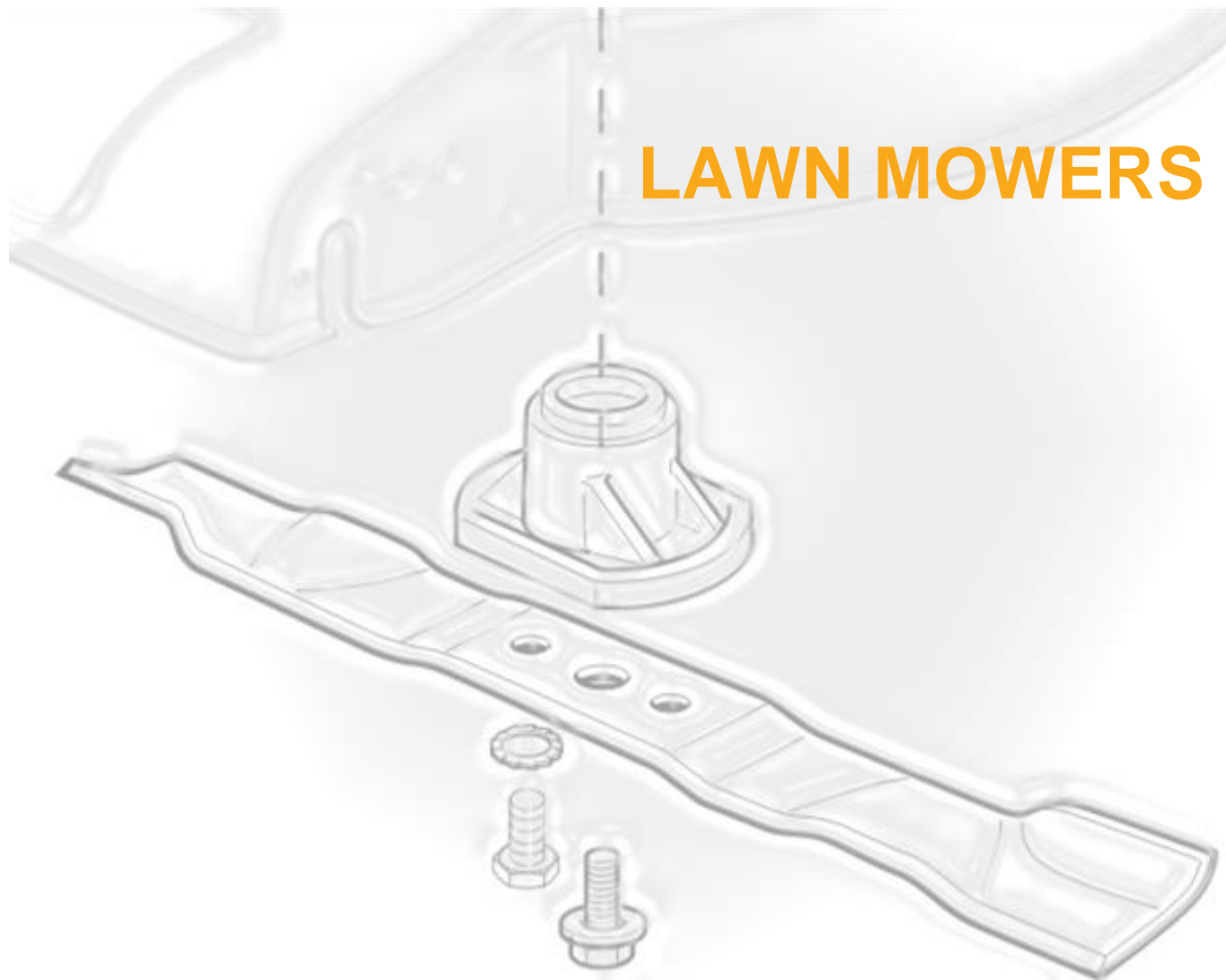


LAWN MOWERS BLADE TORQUE



ELECTRIC Models

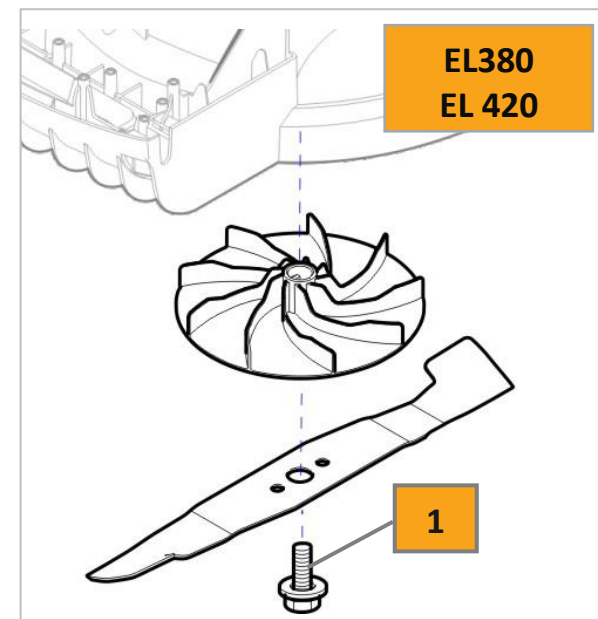
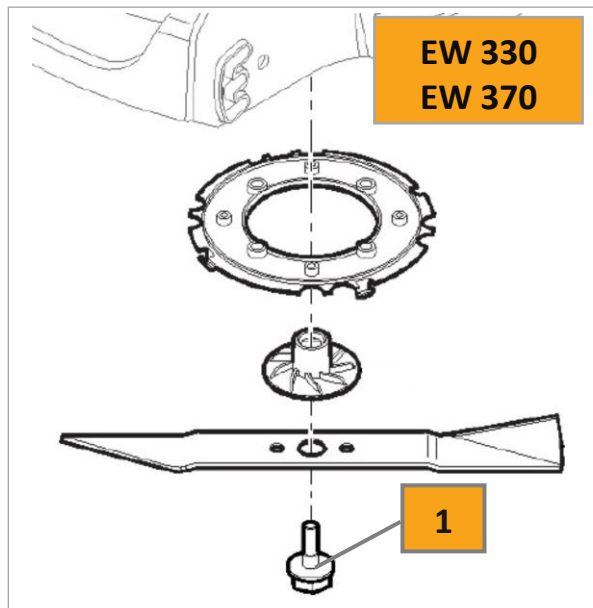
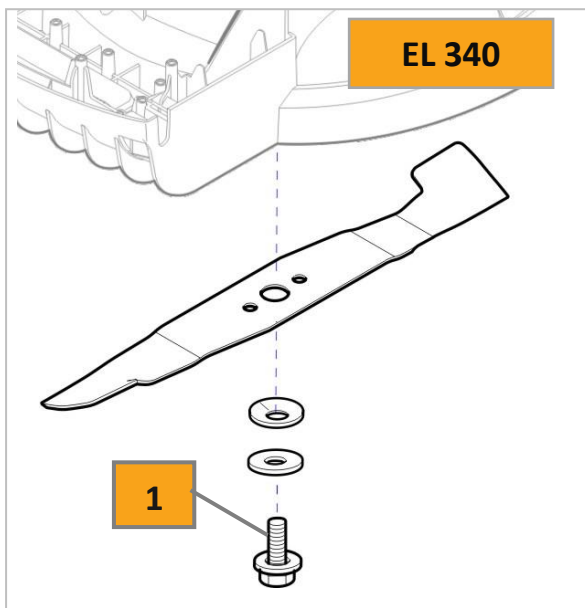


ELECTRIC LAWN MOWER

LAWN MOWERS BLADE TORQUE

Tighten the screw (1) accordingly the values listed in the following tables.

TECHNICAL LINE	Type (Omologation Name)	MODEL NAME per BRAND					Torque (Nm)
ELECTRIC 33-34-37-38-42	EL 340	COMBI 36 E	AL1 34 E	PRINCESS 34	14 E	XP 36	25 ÷ 30
	EW 330 EW 370	COLLECTOR 35 COLLECTOR 39	BL 330-BL 370 BL 320 E- BL 380 E BL 30 EP- BL 380 EP BL 420 EP	-	-	XP 35 XP 39	16 ÷ 18
	EL 380 EL 420	COMBI 40 E COMBI 44 E	AL1 38 E AL1 42 E	PRINCESS 38 PRINCESS 42	15 E 16 E	XP 40 XP 42	18 ÷ 22





ELECTRIC LAWN MOWER

LAWN MOWERS BLADE TORQUE

Tighten the screw (1 - 2) accordingly the values listed in the following tables.

TECHNICAL LINE	Type (Omologation Name)	MODEL NAME per BRAND					Torque (Nm)
		STIGA	ALPINK	Mountfield	ATCO	CASTELGARDEN	
CRUISER 43/48/53	CR430/480 CRL 480 - CSL 480	COMBI 48.....	AL3 46 E AL3 46 SE	-	-	-	1 16 ÷ 18 Nm
EURO STEEL 41/46/53	ES 460 - ESL460	COLLECTOR 46	-	-	-	ES 460	
MULTICLIP	MCS 47 - 50	MULTICLIP 50	-	-	-	-	2 1,5 ÷ 2 Nm
NEW TREND 43/48/53	NT 480 - NTL 480	-	-	EL 4800	-	XS 48.....	

