

STIGA



WORKSHOP MANUAL



IMPORTANT NOTICE

The information contained herein is intended for Service Operations and professionals only, able to competently perform the operations described herein, using the appropriate equipment in order to safeguard security and performance of the machine.

The manufacturer is not liable for damages or injuries arising from operations performed by individuals or inadequate facilities.

- The Manufacture reserves the right to make any improvements to the product of a technical or commercial nature that may be necessary. There maybe, therefore, differences between the various series of machines and that described here, though the basic features and various repair methods will remain the same.
- © by STIGA - No use of the illustrations or duplication, reproduction or translation, even partial, of the texts in this document may be made without explicit authorization.
- All brands, names, logos and trademarks mentioned belonged to their respective owners.

T...102/122 - TC...102/122 - Edition 2018--->2021



GENERAL INFORMATIONS

The purpose of this manual is to assist Service Centres service, disassemble and repair machines.

The manual has left out the simplest and quickest operations that can be handled by a good mechanic, while concentrating more on specific aspects with tips and advice on the best servicing procedures.

Please take time to read through this manual to acquire a basic understanding of the machine, which is necessary for working rationally without making errors or wasting time.

All problems related to the use of the machine are fully covered in the User manual.

STRUCTURE OF THE MANUAL

The manual is divided into sections and chapters. Each page of this manual states the following information:

A) Machines or series of machines to which the contents of the chapter are applicable; **the different**

HOW TO USE THE MANUAL

machine versions are recognisable according to the type of dashboard or display assembled.

- B) Identification and number of the page based on the following criteria:
- the first field indicates the section and chapter;
 - the second field indicates the revision index;
 - the third field indicates the chapter validity start date, i.e. the year of manufacture of the machine;
 - the fourth field indicates the page number and total number of pages dedicated to the subject.
- C) Chapter title.
- D) General information, references to other chapters in the manual, technical information related to the topic, and buttons with links to the machine operating units map can be found in the left column on each initial page.

SECTIONS OF THE MANUAL

The content of the manual is divided into sections which correspond to the various subjects and the different types of servicing.

1. Rules and procedures for Service Centres

This chapter covers all the main aspects of the relationship between the manufacturer and the service centres.

A close collaboration between the manufacturer and the service centres is conclusive for solving problems in the most effective way as well as maintaining an image of efficiency and reliability. Compliance with these brief and simple guidelines will facilitate this task and prevent general misunderstandings and time-wasting for both the manufacturer and the service centre.

CHAPTER	REVISION	FROM ...	PAGE
i	1	2018	1 of 2

2. General regulations

This chapter covers the main aspects of a servicing procedure and the general rules for guaranteeing a successful service which protects the environment and respects the safety of both the serviceman and the user of the apparatus.

3. Maintenance

This chapter covers the main aspects of a servicing procedure.

A specific chapter is dedicated to a quick troubleshooting guide on the most frequent questions and the chapter references providing information on the interventions required to resolve the same.

4. Adjustments and tuning

This chapter deals with the adjustments to be made to remedy the more frequent performance failures and are usually resolved by quick checks and tunings.

5. Removal of external parts and main assemblies

For doing more difficult jobs, greater accessibility may be required. This can be done by taking the unit concerned off and working at the bench, or by removing the cover or other external parts.

Whether or not this will be useful is at the discretion of the mechanic's experience.

6. Repairs

This chapter deals with all the more complex work connected with the replacement or repair of malfunctioning or worn parts.

The descriptions must follow a logical sequence and can include operations not specifically connected to a particular type of repair.

In this case, careful reading of the entire procedure can help you omit all those operations not connected with the case in hand without, however, overlooking anything that may be necessary.

The screenshot shows a manual page with a table of contents at the top and technical diagrams for blade sharpening. The table of contents includes sections for 'Validity', 'General informations', 'Related topics', 'Tightening torques', and 'Map of functional units'. The 'Tightening torques' section lists: '1a Screw for left blade 45 ± 50 Nm' and '1b Screw for right blade 45 ± 50 Nm'. The technical diagrams show the removal of the cutting deck, the sharpening process, and the reassembly of the blades. A warning states: 'Always wear protective gloves when handling the blades and protect eyes when sharpening.' Another warning states: 'The blades are connected to each other, the rotation of each blade engages the rotation of the other.'

HOW TO USE THE MANUAL

CHAPTER	REVISION	FROM ...	PAGE
i	1	2018	2 of 2

7. Electrical system

This chapter deals with the problems and checks connected with the electrical system.

All work can be done using a tester without having to use special equipment.

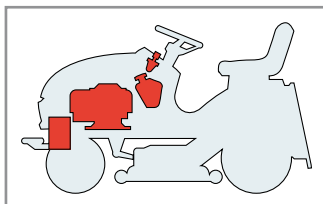
The electrical diagrams can be useful to you for understanding how the system functions and to facilitate the pinpointing of any problems.

8. Technical specifications

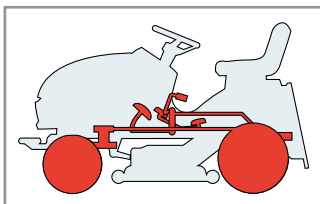
This chapter summarises all the main information regarding the machine.

FUNCTIONAL UNITS MAP

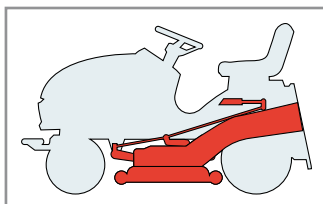
The map is a search tool that provides instant access to all information concerning machine operational unit or element.



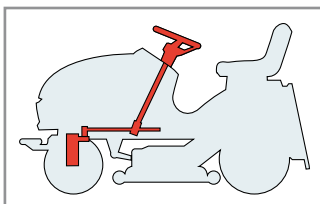
ENGINE - FUEL TANK



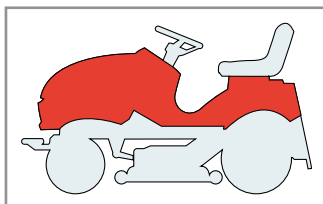
TRANSMISSION - BRAKE - WHEELS



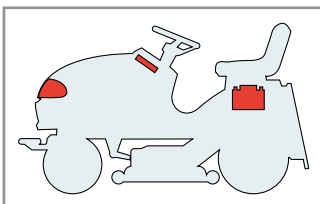
CUTTING DECK



STEERING



BODY





ELECTRICAL SYSTEM


Identification is simplified by the use of icons resembling the various units, each of which is linked to a table of contents that lists all related topics.


SYMBOLS

In the manual some symbols are present. They are used to draw the attention of the operator, reminding him to perform the interventions with the necessary attention and caution.

 Indicates operations that should be carried out with utmost care to avoid impairing the functionality and safety of the machine.

 Indicates operations that should be carried out with utmost care to avoid injury to operators.

 Highlights all those operations that require different working methods depending on the type of machine, subsequent modifications and the accessories fitted.

 Indicates cross-reference to other parts of the manual, followed by the number of the relevant chapter, paragraph or sub-paragraph.

TERMINOLOGY AND ABBREVIATIONS

Some paragraphs are preceded by a definition that highlights their importance:

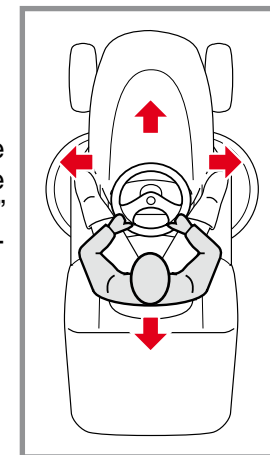
NOTE General reference for the correct maintenance execution and methods..

IMPORTANT Specific procedures or information necessary to avoid damage to the machine or equipment.

WARNING! Non-observance will result in the risk of injury to oneself or others.

DANGER! Non-observance will result in the risk of serious injury or death to oneself or others.

Whenever reference is made to a position on the machine "front", "back", "left" or "right" side, this refers to the positions of the seated operator.



The following abbreviations are used in this manual

Dx / Sx	= Right / LeftV
Min / Max	= Minimum / Maximum
Chap.	= Chapter
PTO	= Power Take Off
HST	= Hydrostatic Transmission

Validity



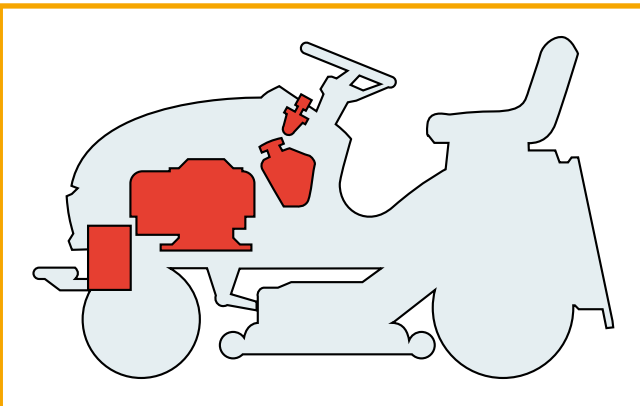
General informations

Different fittings are foreseen for this machine which can imply the use of different engines within the same.

This manual only describes the operations relating to the application of the machine engine; reference to the engine's Manufacturer's Manual is recommended for information regarding servicing, disassembly and replacement of components.

Related topics

[👉 1.1] Identification of components



RELATED TOPICS:

Adjustments and tuning

Removal of external parts and main assemblies

- Removal of front hood [👉 5.1]
- Removal of the engine [👉 5.5]

Repairs

- Replacement of the accelerator and adjustment of the carburettor .. [👉 6.9]

Validity

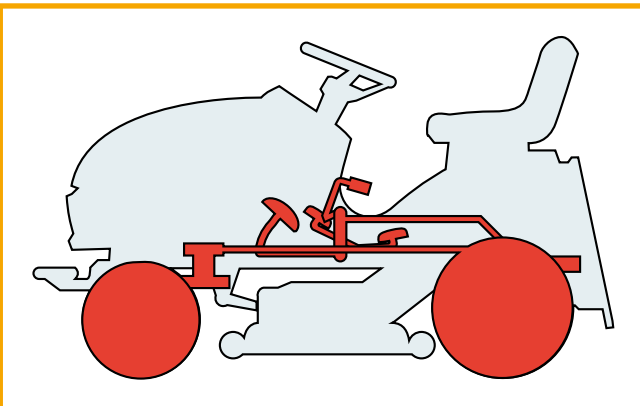


General informations

The use of outsourced third-party hydrostatic drive units is foreseen on this machine.
This manual only describes the operations relating to the application of the machine units; reference to the drive unit's Manufacturer's Manual is recommended for information regarding servicing, disassembly and replacement of components.

Related topics

[👉 1.1] Identification of components



RELATED TOPICS:

Adjustments and tuning

Brake adjustment	[👉 4.2]
Drive belt adjustment	[👉 4.3]
Drive pedal adjustment	[👉 4.4]

Removal of external parts and main assemblies

Removal of the rear axle	[👉 5.6]
--------------------------------	---------

Repairs

Replacement of tyres and wheels	[👉 6.1]
Replacement of front wheel bearings	[👉 6.2]
Replacement of the drive belt	[👉 6.4]
Replacement of the small wheels for the drive belt	[👉 6.5]

Validity



General informations

The terms "Cutting deck" or "Equipment" refer to the cutting-means assembly, connected to the machine PTO by means of a belt.

Related topics

RELATED TOPICS:

Adjustments and tuning

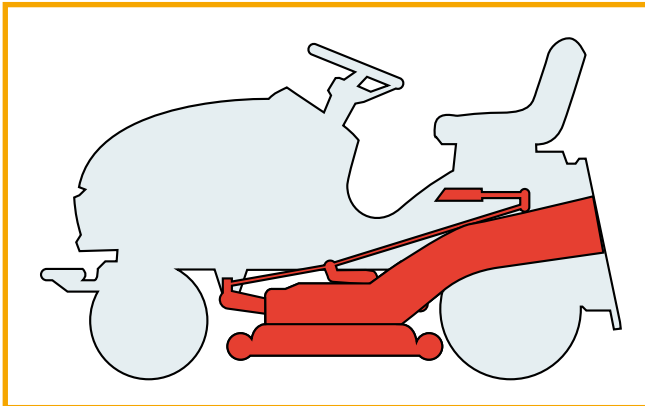
- Adjusting the engagement and checking the blade brake [👉 4.1]
- Aligning the cutting deck [👉 4.5]
- Checking blades alignment [👉 4.8]
- Removing, sharpening and balancing the blades [👉 4.9]

Removal of external parts and main assemblies

- Removal of the collector channel [👉 5.3]
- Removal of the cutting deck [👉 5.7]

Repairs

- Replacement of the blades control belt [👉 6.6]
- Replacement of the blades connection belt [👉 6.7]
- Replacement of the supports and shafts of the blades [👉 6.8]



Validity



General informations

Related topics

RELATED TOPICS:

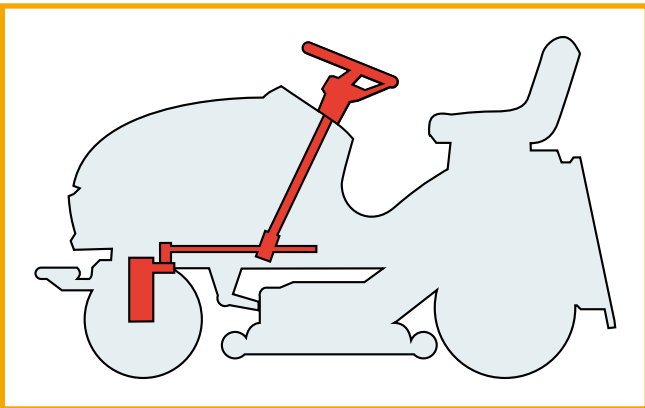
Adjustments and tuning

- Steering allowance adjustment [👉 4.6]
- Steering geometry adjustment [👉 4.7]

Removal of external parts and main assemblies

Repairs

- Dismantling of the steering components [👉 6.3]



Validity

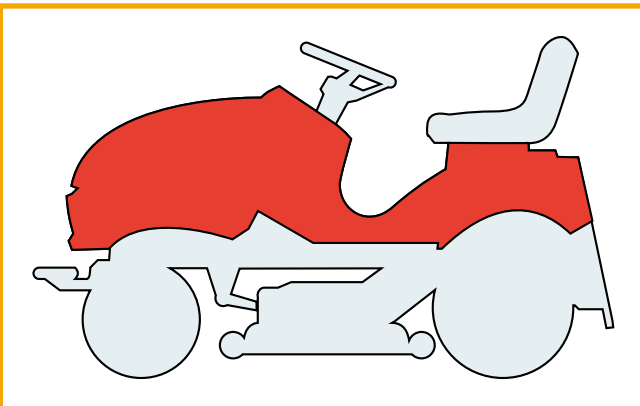


General informations

Different outfittings are foreseen for this machine which can imply the use of different bodywork designs.

The operations described herein are applicable to all versions, except for instructions provided for each specific outfitting, recognisable according to the type of dashboard installed on the machine.

Related topics

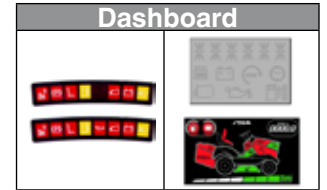


RELATED TOPICS:

Adjustments and tuning

Removal of external parts and main assemblies

- Removal of front hood [👉 5.1]
- Removal of the wheel cover [👉 5.2] [👉 5.2a]
- Removing the dashboard and front cover [👉 5.4] [👉 5.4a]



Repairs

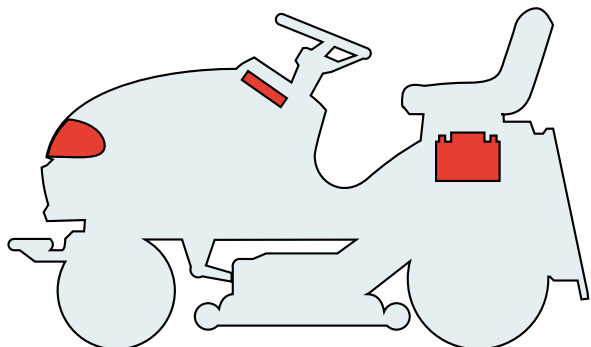
Validity



General informations

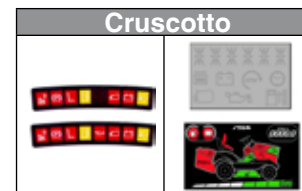
Different outfittings are foreseen for this machine which can imply a different conformation of the electrical system and its components. The different outfittings are recognisable according to the type of dashboard and display installed on the machine.

Related topics



RELATED TOPICS:

Information and Verifications



Troubleshooting of the electrical system	[👉 7.1]	[👉 7.11]
Cutting in of the safety devices	[👉 7.2]	[👉 7.12]
Safety microswitches operation check	[👉 7.3]	[👉 7.13]
Terminal board supply check	[👉 7.4]	[👉 7.14]
Carburettor solenoid valve operation check	[👉 7.5]	[👉 7.15]
Starter relay operation check	[👉 7.6]	[👉 7.16]
Electromagnetic clutch operation check	[👉 7.7]	[👉 7.17]
Electronic card operation check	[👉 7.8]	
Checking the operation of the bag emptying control		[👉 7.18]
Replacing the clock's buffer battery.....		[👉 7.19]
Electrical diagrams	[👉 7.9]	[👉 7.20]
Recharge circuit check.....	[👉 7.21]	
Maintenance of the sealed battery	[👉 7.22]	
Fitting safety microswitches	[👉 7.23]	

Validity



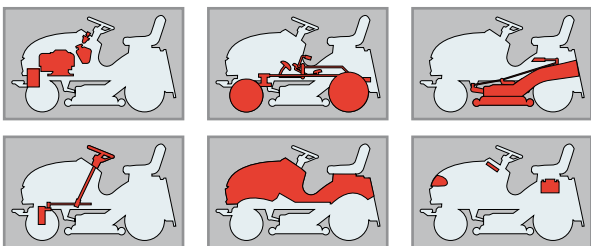
General informations

This chapter covers all the main aspects of the relationship between the Manufacturer and the Service Centres.

A close collaboration between the Manufacturer and the Service Centres is conclusive for solving problems in the most effective way as well as maintaining an image of efficiency and reliability. Compliance with these brief and simple guidelines will facilitate this task and prevent general misunderstandings and time-wasting for both the manufacturer and the service centre.

Related topics

Map of functional units

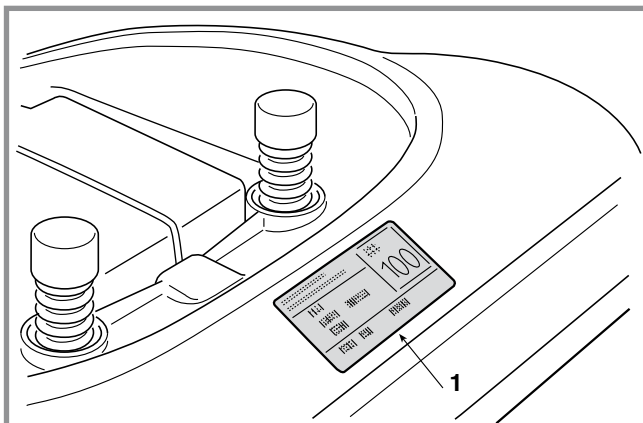


A) Identification

1) Machine

Each machine has a label attached (1) under the driver's seat which shows the technical specifications, the model and the serial number..

The model and serial number must be shown on each repair sheet when requests are made under guarantee, and are indispensable for spare part orders.

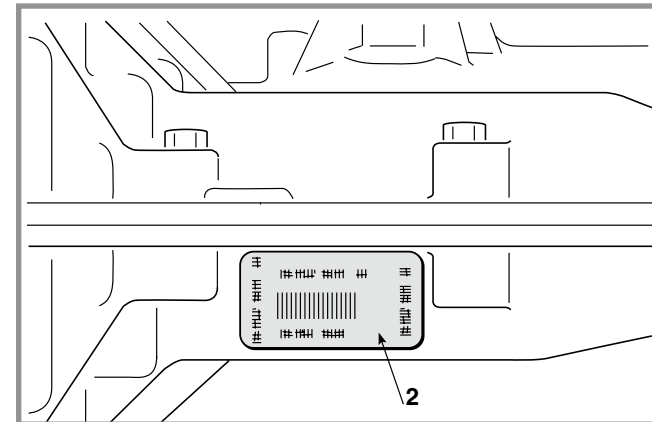


2) Transmission (Rear axle)

The hydrostatic transmission unit is made up of a block including the rear axle.

This unit is made by another manufacturer to our precise technical specifications which differentiate it from similar items by this same Manufacturer.

The serial number on the label (2) clearly identifies the product and its specifications. This number must always be quoted when requesting



spare parts or any information from the Manufacturer.

3) Engine

The engine is made to precise technical specifications which differentiate it from similar items by this same Manufacturer.

The serial number on the label clearly identifies the product and its specifications. This number must always be quoted when requesting spare parts or any information from the Manufacturer.

B) Guarantee validity

The guarantee is supplied under the terms and the limits of the contractual relations in being. As far as the engine and the transmission unit are concerned, the conditions given by their respective manufacturers apply.

C) Service repairs after guarantee period

The Service Centre has to make out a report containing the machine's serial number, a summary of the problem, the repairs carried out and any spare parts used for each repair done on the machine.

A copy of this report must be retained to be made available to the Manufacturer together with the parts in case of any subsequent disputes with Customers.

D) Fault notification

The Manufacturer welcomes any notifications of faults that recur with particular frequency. It gives the opportunity for a careful inspection of the problem and the implementation of corrective action at production level.

Similarly, the Manufacturer will notify of any faults discovered on the machines produced, with recommendations for the most suitable procedures for their remedy.

E) Spare parts request

When requesting spare parts, the code number must be given, referring to the exploded charts for the year of manufacture, shown on the identification label.

Validity



General informations

This chapter covers the main aspects of a servicing procedure and the general rules for guaranteeing a successful service which respects the safety of the machine.

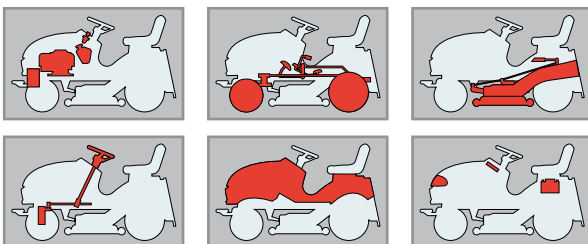
Related topics

2.2 Tools

7.3 Safety microswitches operation check

7.13 Safety microswitches operation check

Map of functional units



SAFETY REGULATIONS

A) Qualification of operators

All maintenance, disassembly and repairs must be carried out by expert mechanics who are familiar with all the accident prevention and safety regulations after reading through the procedures in this manual.

B) Safety measures

All the machines are manufactured in accordance with the strict European safety regulations in force.

To maintain these levels of safety in the longer term, the Service Centres should work to this end by making appropriate checks every time there is the chance to do so.

Particularly, every time there is work done on the machine the Service Centre should:

1) check:

- that safety microswitches are working correctly;
- that the casings and protection covers have not been removed;
- that the labels with instructions or provisions have not been removed or have become illegible (these form an integral part of the safety system).

2) they should also:

- restore to proper working order any safety devices which have been manipulated or removed;
- reattach inefficient, damaged or missing casings and protection covers;
- replace illegible labels;

CHAPTER	REVISION	FROM ...	PAGE
2.1	1	2018	1 of 2

- not endorse any repair or modification on the machine or the engine which results in a change in performance or use that is incorrect or different from the purpose for which it was designed and approved;
- warn the Customer that the failure to comply with the above points results in the automatic annulment of the Guarantee and the Manufacturer declines all responsibility, as also shown in the Instruction Booklet.

C) Precautions during servicing

The operations described in this manual do not entail particularly hazardous situations besides the normal hazard related to mechanical operations and that can be avoided by taking the necessary care and attention normally required for this type of work.

As well as following the usual accident prevention regulations that apply to most repair shops, we recommend you:

- taking out the ignition key before beginning any repair work.
- protect hands with suitable working gloves, especially when working near the cutting unit;
- check that you do not cause accidental petrol leaks or other losses;
- do not smoke when working on the tank or when handling petrol;
- do not inhale oil or petrol fumes;
- clean up all traces of spilt petrol immediately;
- test the engine in a well-ventilated environment or where there are adequate exhaust fume extraction systems;
- do not pollute the environment with oil, petrol or other waste and dispose of all waste in accordance with the laws in force;

- ensure that other persons cannot accidentally carry out actions that may physically endanger those working on the machine.

D) Necessary equipment

All the operations can be carried out with the tools normally used in a good garage.

Some operations require special equipment and tools.

TOOLS

Validity

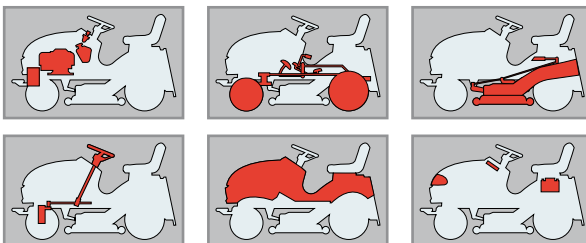


General informations

This chapter covers the main aspects of a servicing procedure and the general rules for guaranteeing a successful service which respects the safety of the machine.

Related topics

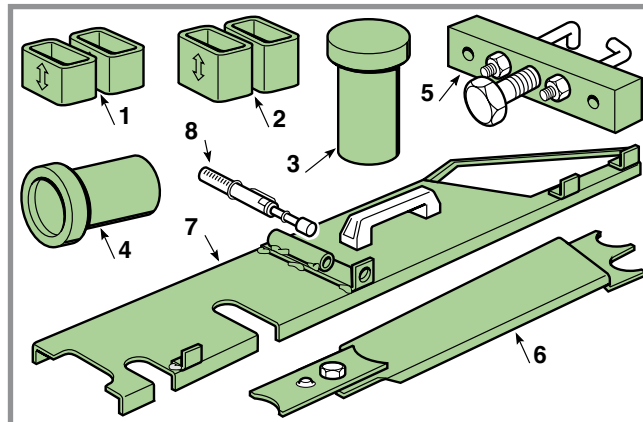
Map of functional units



All work can be carried out using the tools normally available from a good workshop. However, it is advisable to have a set of special tools (1 ÷ 8).

These tools (1 ÷ 8) are to be used whenever is given in the text.

1. Blocks H = 26 mm for adjusting the cutting deck
2. Blocks H = 32 mm for adjusting the cutting deck
3. Bush for assembly of blades bearings
4. Stopper for assembly of wheel bearings
5. Pulley extractor
6. Pulley centre distance checking template
7. Blades connection belt tension checking template
8. Dynamometer



Validity

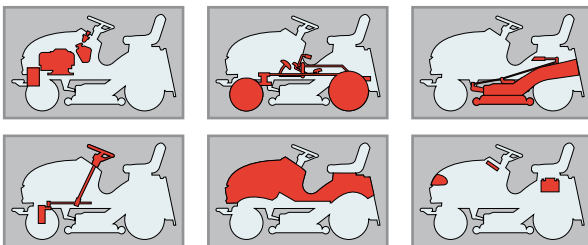


General informations

This chapter covers the main aspects of a servicing procedure and the general rules for guaranteeing a successful service which respects the safety of the machine.

Related topics

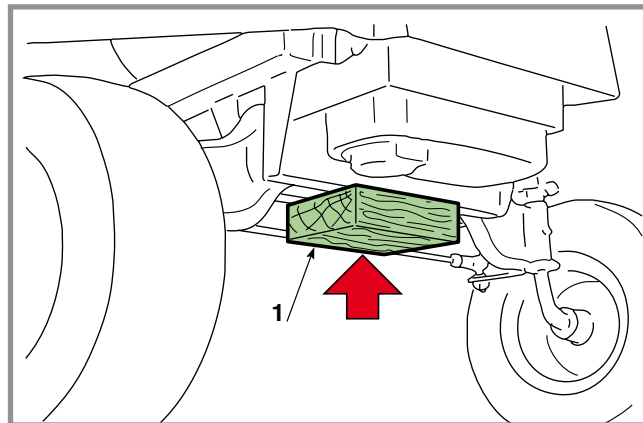
Map of functional units



! DANGER! The machine must never be lifted using a hoist or other lifting equipment which uses cables.

A) Front

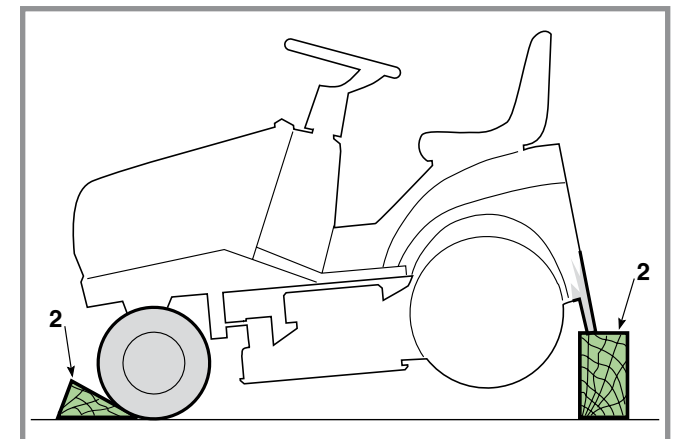
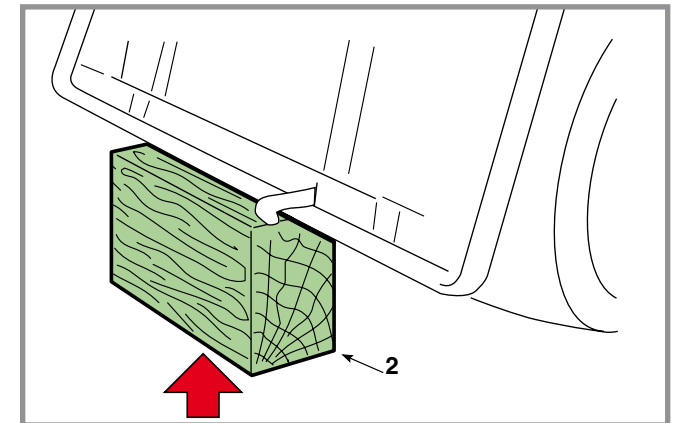
Once the parking brake has been engaged, the machine can be lifted using a jack which pushes on the underside of the frame, placing a wood block (1) between the base of the jack and the frame and checking to see that the free movement of the front spring equaliser has not been obstructed.



B) Rear

Place a suitable block (2) beneath the lower edge of the plate.

In any case, an appropriately sized wedge (3) should be placed behind the opposite wheels to stop the machine from accidentally moving backwards.



Validity

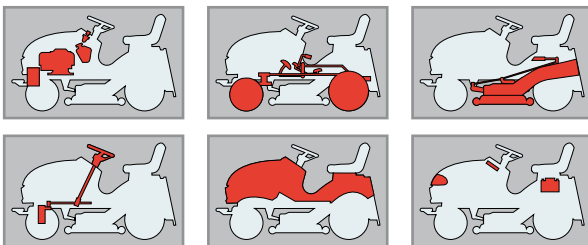


General informations

This chapter covers the main aspects of a servicing procedure and the general rules for guaranteeing a successful service which respects the safety of the machine.

Related topics

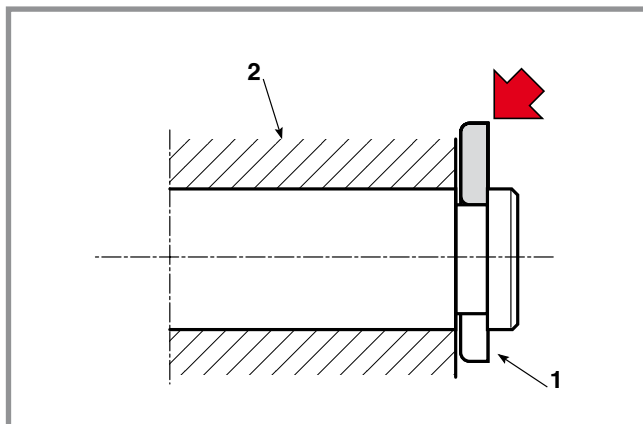
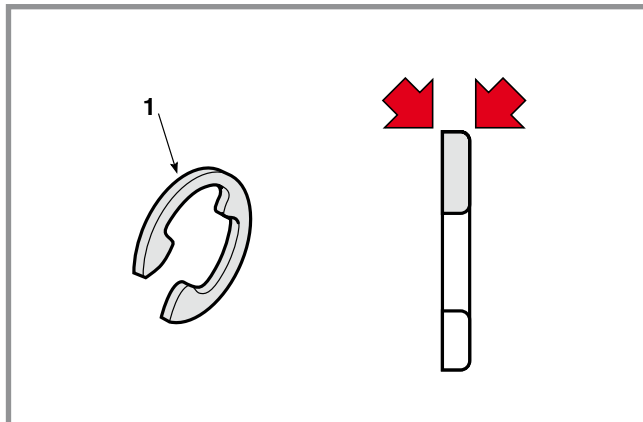
Map of functional units



A) Fitting snap rings

One side of the “Benzing” snap rings (1) has a rounded edge and the other a sharp edge.

For maximum grip the rounded part needs to be facing towards the element to be held (2), with the sharp edges on the outside.

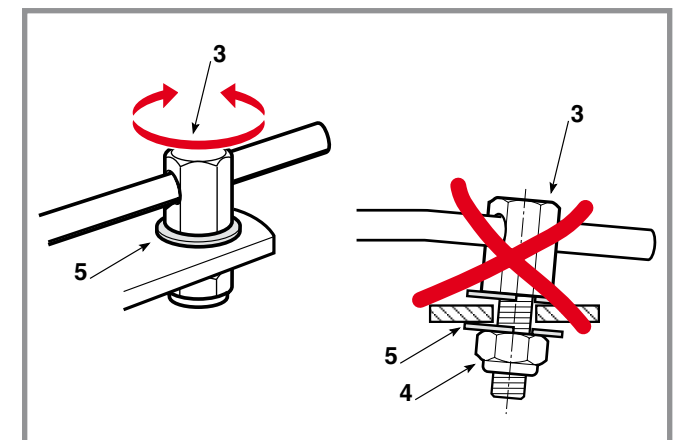
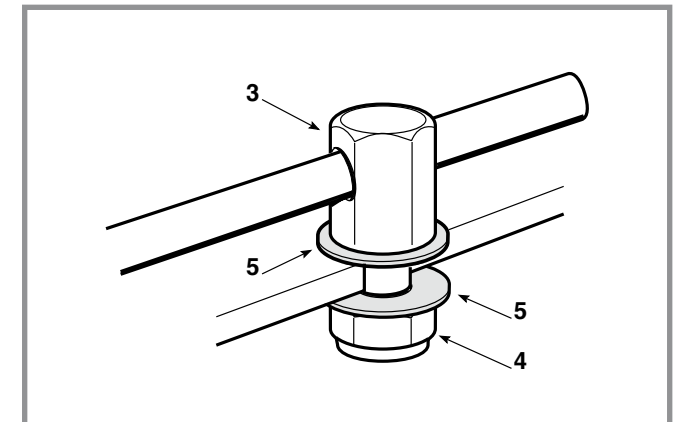


B) Joint pivot pins

There are a large number of pivot pins, usually connected to rods, that need to be able to move in various directions.

A typical situation has the pin (3) fixed by a self-locking nut (4) with two anti-friction washers (5) in between the pin (3) and the support element, and between this and the nut (4).

Since these are joints, the nut must never be tightened completely but only so much that it can ensure the free rotational movement of the pin on its axis without, however, creating excessive free play which could result in the parts concerned becoming misaligned and failing to work correctly.

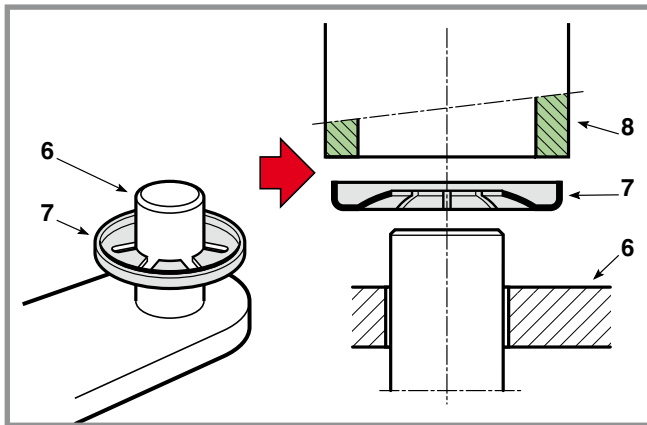


C) Crown fasteners

Some pin ends (6) are secured by crown fasteners (7). During dismantling, these fasteners are always damaged and lose their hold, so they should never be reused.

On assembly, make sure it is inserted in the right direction and push the fastener (7) onto the pin using a pipe or socket spanner (8) with the right diameter, so that it can be fitted without deforming the fastener "crown".

IMPORTANT A deformed fastener should always be replaced.



Validity

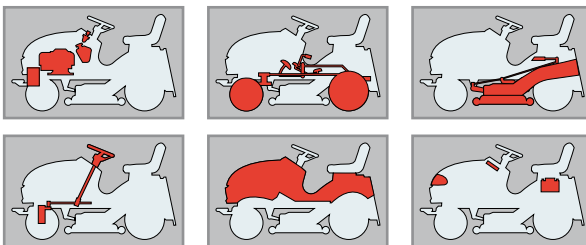


General informations

In questo capitolo vengono trattati i criteri di intervento per la manutenzione ordinaria.

Related topics

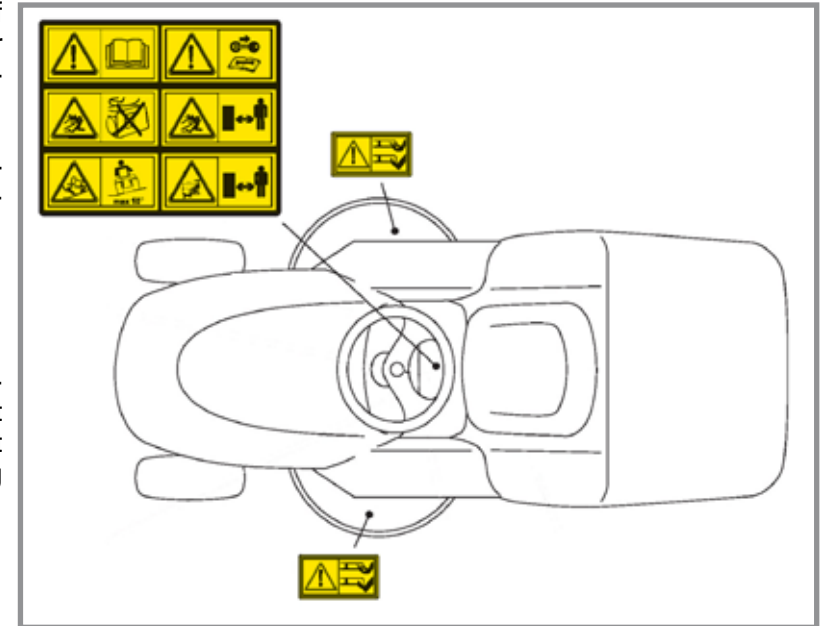
Map of functional units



The Instruction Handbook has a number of operations to be carried out by the Customer for a minimum of basic maintenance, and other operations not always within his capacity.

For this reason the Service Centre should undertake to keep the machine in perfect working order in two ways:

- Tuning the machine whenever possible.
- Proposing a regular maintenance programme to the Customer to be carried out at prearranged intervals (for example, at the end of the summer or prior to a long period of inactivity).



A) Occasional tuning

- Check working order of safety devices and renew illegible or missing labels, following the layout below
- Check tyre pressures
- Clean air filter
- Check engine oil level
- Check for fuel leaks
- Aligning the cutting deck
- Sharpen and balance the blades and check the condition of the hubs
- Check for wear in the belts
- Check the blade brake engagement
- Grease front wheels lever joint pins and bushes
- Check tightness of engine screws
- Check all those items indicated in the engine manual.

B) Routine maintenance

- All work carried out in section a), plus:
- Check battery charge
- Check tension of belts
- Adjust brake
- Adjust blade engagement
- Adjust blades brake
- Check steering allowance
- Check front bearings
- General lubrication
- Clean away grass cuttings and wash exterior
- Clean and wash inside cutting deck and collector channel
- Clean and wash grass-catcher
- Touching up of any damaged paint

Validity

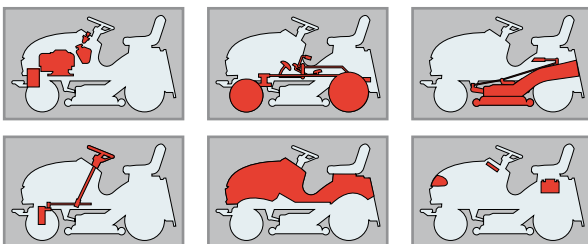


General informations


This chapter helps achieve a rapid identification and solution to the most recurrent problems, classified according to the operating unit in question.

Related topics

Map of functional units



1. Motore e Serbatoio

Problem	Probable cause	Solution	
Starter motor does not run	Low battery	Recharge	[7.23]
	No starter relay contact	Check	[7.6] [7.16]
	Faulty connector and/or starter motor failure	Check and/or replace	[*]
The starter motor runs but the engine does not start	Blown spark plug electrode	Replace the spark plugs	[*]
	Uncertain connections	Check the connectors	-
	Coil failure	Check and/or replace	[*]
	The carburettor solenoid valve does not open	Check	[7.5] [7.15]
The engine runs irregularly and/or lacks power	No fuel is pumped to the carburettor	Check the filter, fuel pump (if applicable) and the carburettor	[*]
	Faulty ignition	Check the spark plugs and ignition system	[*]
Dense and/or blue exhaust fumes	Low fuel level in the tank	Top up	-
	Dirty or old fuel	Empty the fuel tank and add fresh fuel	-
	Clogged carburettor filter	Check and clean	[*]
Black exhaust fumes	Excessively oily carburetion	Check the starter and command cable	[*]
Engine overheating	Spark plugs with inadequate heat rating	Check	[*]
	Carburetion problems	Check the carburettor	[*]
	Insufficient oil level	Check and top up	[*]
	Clogged suction system	Check and clean the air filter and the suction pipe	[*]
	Dirty cooling flaps	Clean	[*]
Engine idling speed is too high or too low.	Broken cooling fan	Replace	[*]
	Incorrect cable adjustment	Adjust	[6.9]
Abnormal noise and vibrations	Loose bolts and screws	Check and tighten to the prescribed values	[5.5]

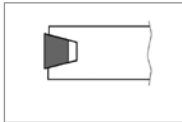
[*] Check the engine Manufacturer's Manual

Important informations

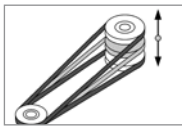
Characteristics of the original belts

The standard belts on the market have different characteristics compared to the requirements of the original spare belts, supplied by the authorised dealer. The latter are designed and manufactured in close cooperation with the belt supplier and the machine manufacturer.

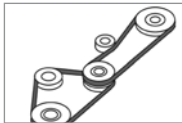
Here are the reasons why it is important to choose an original belt, useful when making such decisions..



a) Adhesion on the pulley. The belt rests with the sides inclined against the walls of the pulley. There must be a gap between the belt and the bottom of the groove.




b) Floating pulley on cutting equipment. The original Power Take Off (PTO) belt is designed to work even if the pulleys move up and down and tilt at the same time.



c) Curvature in two directions. All the original belts, which work with tensioning arms acting on the external side, are equipped with reinforcements. The reinforcement is designed specifically for these specific cases..

2. Transmission - Brakes - Wheels

Problem	Probable cause	Solution	
The machine moves slowly, loses power or doesn't move at all	Slack belt	Adjust	[4.3]
	Worn or oily belt	Replace	[6.4]
	Broken pulleys	Replace	[5.5] [*]
	The brake is not adjusted correctly	Check and adjust	[4.2]
	Hydrostatic unit failure	Check the Manufacturer's Instruction Manual.	[*]
The machine will not move in either direction	Pulley splines broken	Replace	[*]
	Hydrostatic unit failure	Check the Manufacturer's Instruction Manual.	[*]
The machine does not reach the foreseen speed in forward drive	Incorrect pedal adjustment	Adjust	[4.4]
Uncertain or ineffective braking	The brake is not adjusted correctly	Check and adjust	[4.2]
Hydrostatic unit overheating	Insufficient oil level	Top up	[*]
	Clogged oil filter	Clean and/or replace	[*]
Abnormal noise and vibrations	Slack or worn belt	Check and/or replace	[6.4]
	Irregular fan rotation	Check the condition of the fan, that it is securely fastened in place and that nothing interferes with the rotation movement	[*]
	Incorrect positioning of the by-pass valve	Check and adjust	[*]
	Loose bolts and screws	Check and tighten to the prescribed values	[5.6]
The machine moves in neutral gear	Incorrect micro-switch adjustment	Adjust	[4.4]
	Slack or worn linkage system	Check and/or replace	[4.4]
Pushing the machine by hand is difficult	By-pass partially enabled	Check	[*]
The parking brake does not stop the machine on a 30% slope	Incorrect brake adjustment	Adjust	[4.2]
Excessive clearance on the front wheels	Worn bearings	Replace	[6.2]

[*] Check the transmission unit Manufacturer's Instruction Manual.

Important informations

Characteristics of the original blades

The original blades have design, material and processing characteristics optimised for use on the equipment for which they were designed; these characteristics are not present in so-called "compatible" spare parts.

Here are the reasons why it is important to choose an original blade, useful when making such decisions.



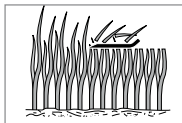
a) No breakage of the blade ends. Using steel balls, the manufacturer simulates what can happen when mowing over any foreign

bodies on the lawn. This can ruin the blade edge, but no component can come loose, fall off or be hurled away.



b) No breakage of the blades. The impact test is the most severe durability test that any lawnmower can be subjected to. An iron tube is


placed exactly inside the blades when the mower is running. The blade may deform but it will never, under any circumstances, fall off or break. This test verifies that blades and other components meet the high safety requirements.




c) Excellent cutting result. The blades and blade ends supplied by the authorised dealer are optimised for the application for which

they are intended. In short, this means that the blades are suitable for the shape of the casing and to the number of revolutions to provide the best possible cutting result.

3. Cutting deck

Problem	Probable cause	Solution	
The blades do not engage or do not stop promptly within 5 seconds when they are disengaged	Slack belt	Adjust the engagement	[4.1]
	Incorrect adjustment of the engagement spring	Adjust the engagement	[4.1]
	Electromagnetic engagement problems	Check and/or replace	[7.7] [7.17]
Uneven mowing and poor grass collection	Cutting deck not parallel to the ground	Check the tyre pressures Align the cutting deck with the ground	[6.1] [4.5]
	Blades cutting badly	Check their condition and that they are well sharpened	[4.9]
	Misaligned blades	Check the blade shafts and flanges	[4.8]
Abnormal noise or vibrations	Loose joint bolts and screws	Check and adjust	[5.7]
	Pulleys or guide pulleys are worn and do not rotate correctly	Check and/or replace	-

4. Steering

Problem	Probable cause	Solution	
Excessive clearance on the steering wheel	Worn pinion and crown teeth	Reinstate the correct clearance	[4.6]
The machine does not maintain a straight line when the steering wheel is straight	Incorrect tie-rod adjustment	Adjust	[4.7]
Anomalous or uneven wear on the front tyres	Incorrect toe-in adjustment	Adjust	[4.7]

Validity



General informations

The blades are driven by the engine by means of a "V" belt and are engaged by an electromagnetic clutch.

After a certain amount of use the belt can become longer which can result in malfunctioning, i.e.:

- belt slipping = belt stretched
- difficulty in disengaging, with the blades continuing to run = belt shortened

In both cases the stretcher needs to be adjusted. Disengaging the blades causes the cutting in of a brake, incorporated in the electromagnetic clutch, whose task is to stop the blades from rotating within five seconds.

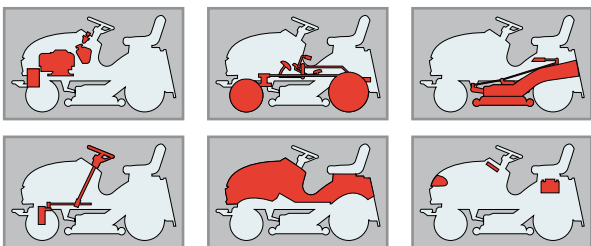
Related topics

6.6 Replacement of the blades control belt

7.7 Electromagnetic clutch check

7.17 Electromagnetic clutch check

Map of functional units

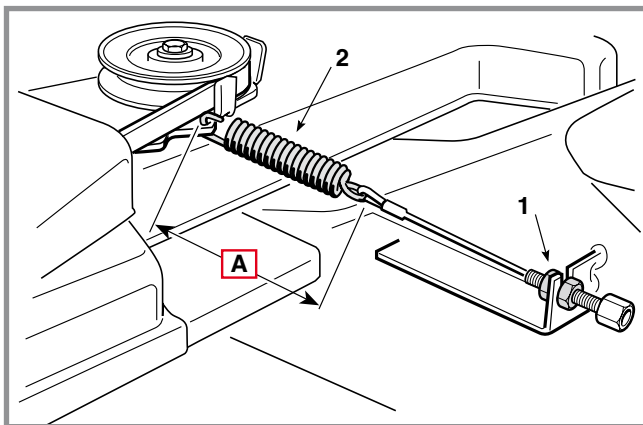


A) Adjusting blade engagement

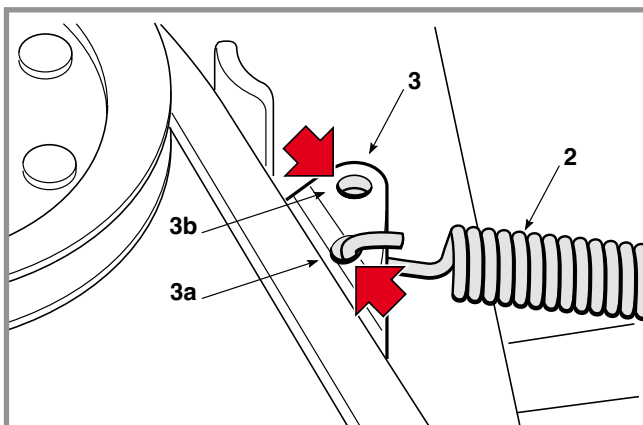
Con il piatto di taglio nella posizione più bassa, indi-
With the cutting deck in its lowest position, look for the adjuster (1) which is placed under the footboard on the left side and turn the nuts, with the blades engaged, until the spring (2) reaches a variable length «A» according to the different versions of the machine, as follows

A = 113 ÷ 115 mm - for mod. 102

A = 90 ÷ 91 mm - for mod. 122



NOTE The hook position of the spring (2) on the plate (3) is different for the model 102 (hole 3a) and the model 122 (3b - the only hole on the plate).



B) Checking the blade brake

WARNING! *Correct operation of the brake, which must ensure that the blades stop within 5 seconds from disengagement; longer stopping times do not comply with the safety standards.*

If the blades do not stop within 5 seconds from disengagement, appropriate checks must be made to the electrical system and the clutch must be replaced if no result is achieved.

BRAKE ADJUSTMENT

Validity



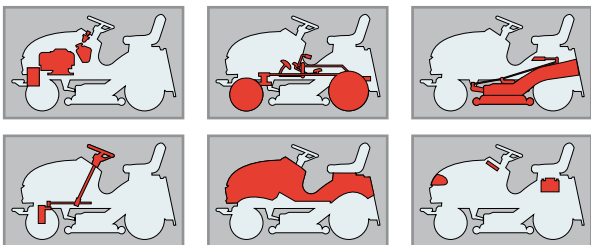
General informations

Reduced braking power is corrected by adjusting the spring on the brake rod, which is reached through the inspection hatch beneath the seat.

Related topics

[5.6](#) Removal of the rear axle

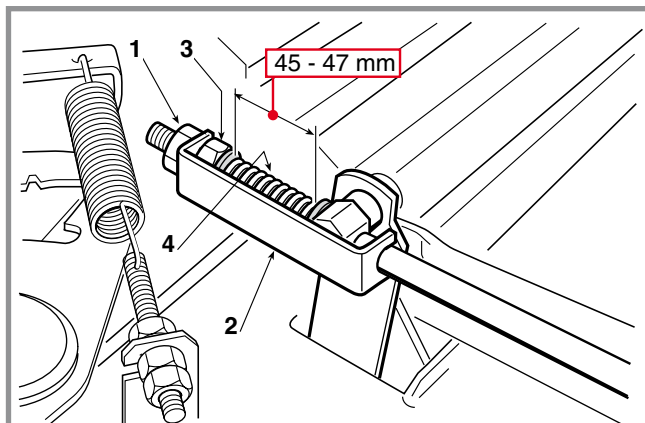
Map of functional units



The adjustment is to be made with the parking brake engaged and consists of altering the length of the spring (4) to the best measurement. The braking capacity is increased by screwing the nut (3) down on the rod (and thus shortening the length of the spring).

Loosen the nut (1) which holds on the bracket (2) and turn the nut (3) until the length of the spring (4) is 45 ÷ 47 mm, measured from the inside of the washers.

When the adjustment has been made, tighten the nut (1).



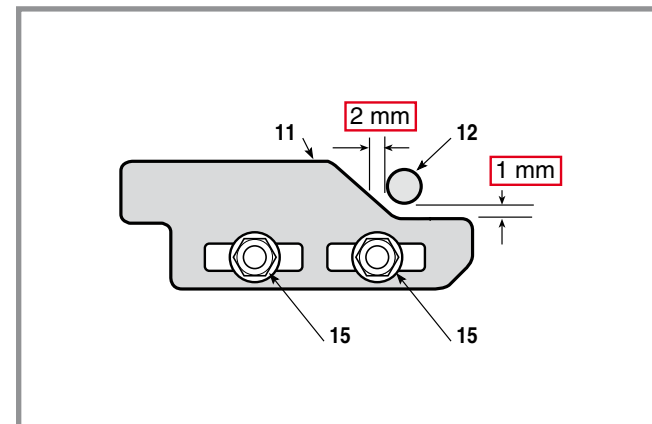
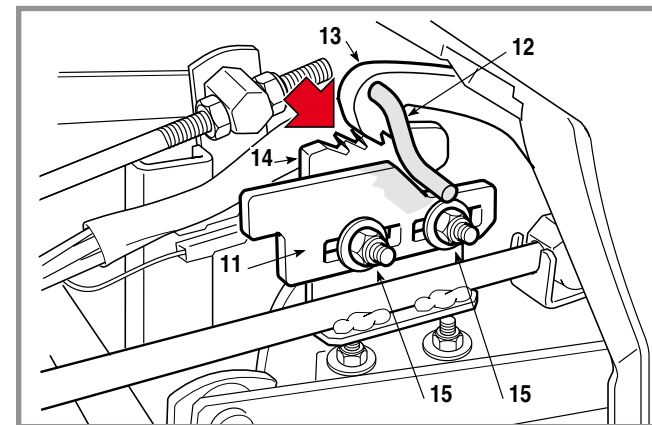
NOTE Never go under these amounts to avoid overloading the brake unit.

WARNING! When the adjustments have been made, the parking brake should prevent the machine from moving on a slope of 30% (16°) with the driver in position.

If braking is still poor or unsteady even after making the adjustment, you cannot make any further adjustments from the outside. Therefore you need to dismantle the whole rear axle of the machine and contact one of the manufacturer's Service Centres.

► In models with cruise control:

To adjust the release cam (11) position to the pin (12), position the pawl (13) on any tooth on the rack (14), loosen the nuts (15) and adjust the cam (11) to achieve the condition indicated in the illustration.



Validity



General informations

If it seems that the forward drive is not working properly after a long period of use or after replacing the belt, this may be caused by a change in the length of the belt.

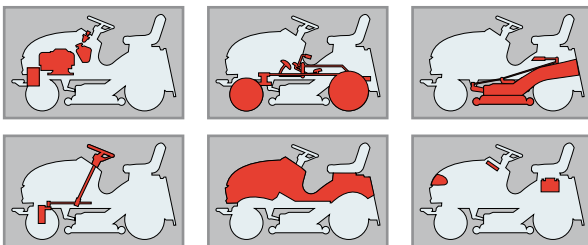
- A loose belt reduces output from the drive and limits forward movement power;
- a belt which is too tight increases noise and results in jerky movements or tipping up when engaging the drive.

In both cases the stretcher needs to be adjusted.

Related topics

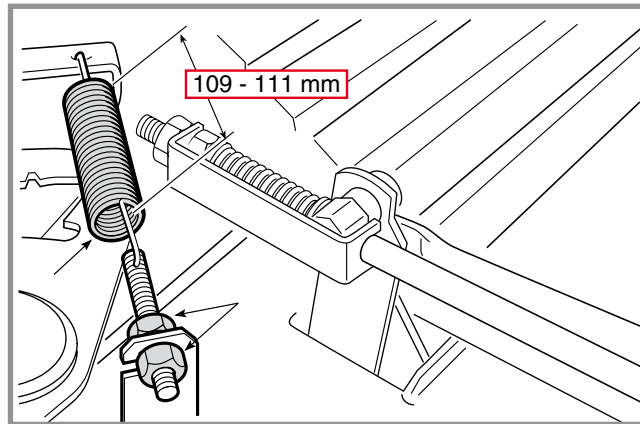
[\[🔧 6.4\]](#) Replacement of the drive belt

Map of functional units



The stretcher can be accessed from the inspection hatch beneath the seat; adjust the tension of spring (1) using nuts (2) to set length «A» of 109 ÷ 111 mm, measured from the outer ends of the springs with the drive commands disengaged.

Following adjustment, fully tighten the nuts (2)



DRIVE PEDAL ADJUSTMENT

CHAPTER	REVISION	FROM ...	PAGE
4.4	0	2018	1 of 1

Validity



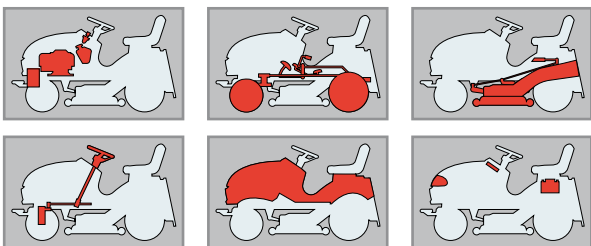
General informations

This operation should be carried out every time the rear axle, pedal or control rod is removed, in order to get the correct travel for the pedal and to reach the envisaged speeds both forwards and in reverse.

Related topics

[7.23](#) Fitting safety microswitches

Map of functional units

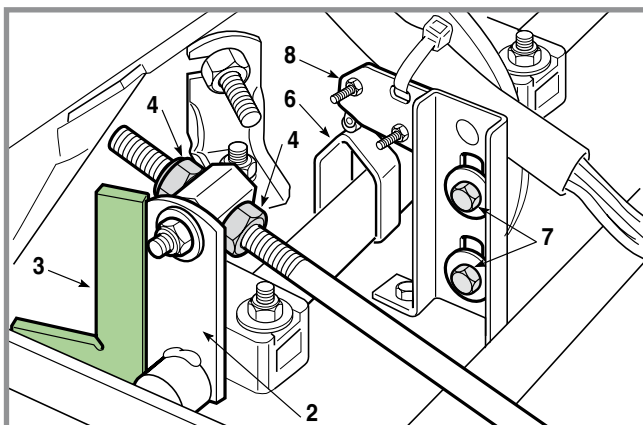
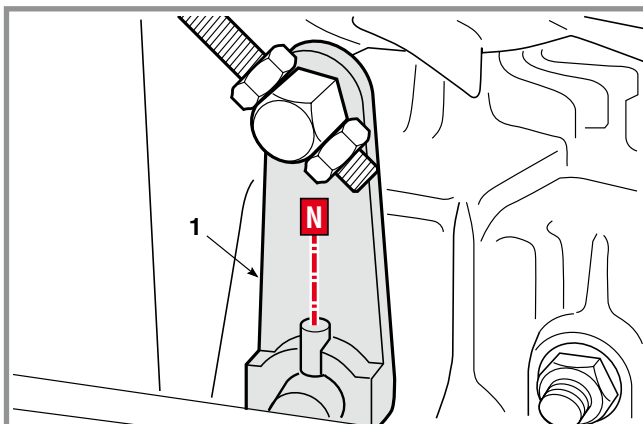


A) Adjusting the pedal in the “neutral” position

Adjustment of the pedal position must be carried out with the hydraulic unit lever in the “neutral” position (1); this position «N» can be easily recognised as it is forced to stay there by a fastening sphere.

Open the inspection hatch which is placed at the base of the seat; the drive control pedal is in its ideal position when the lever (1) of the hydrostatic unit is in “neutral”, and the internal lever (2) on the pedal axle is perfectly vertical.

This is obtained using a bracket (3), by working on



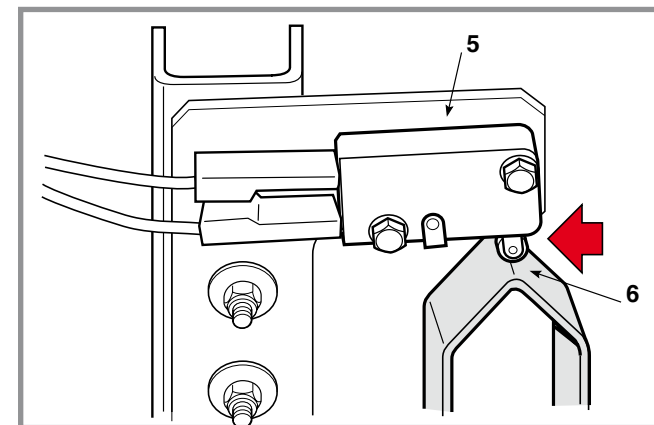
the nuts (4) until reaching the desired situation. Taking care not to accidentally change the position of the lever (1) during the adjustment.

B) Adjusting the “neutral” position of the microswitch

! **IMPORTANT** *This is a very important adjustment for the correct operation of the safety devices for starting and stopping of the machine during work.*

The “neutral” position «N» is indicated by the microswitch (5) of the cam (6), which is reached by the inspection hatch beneath the seat.

After checking that the adjustment “A” has been correctly made, make sure that the pedal is released and in neutral “N” then loosen the screws (7) that fasten the microswitch support (8), until the roller is in line with the tip of the cam, so that the microswitch remains activated [see 7.11].



By moving the pedal in the forward, neutral and reverse positions, make sure that the push-button clicks at every position change before the wheels start moving.

Validity



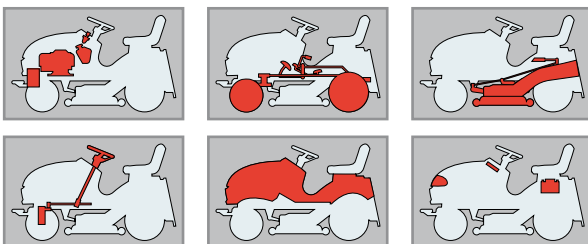
General informations

Lowering of the cutting deck is controlled by a linkage operated by the lever and is guided by two front articulation connecting rods. In order to get a good cut it is essential that the cutting deck is parallel with the ground crosswise, and slightly lower at the front.

Related topics

[🔧 2.2] Tools

Map of functional units



Two types of adjustment are possible:

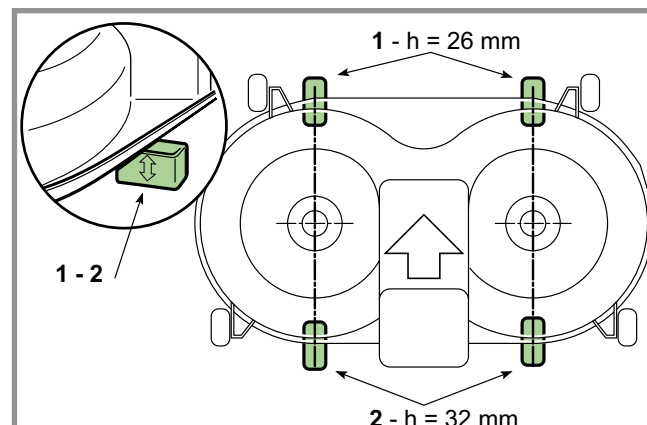
- A) combined adjustment to the parallel and minimum front and rear height, to be done in the case of cutting irregularities;
- B) longitudinal deck position adjustment, only needed if the original position was lost during cutting deck replacement and the correct distance from the engine pulley must be reset.

Check the tyre pressures. If one or more tyres have been replaced or you find differences in diameter, do **not attempt to compensate these differences by giving different tyre pressures**, but make the adjustments as in point "A".

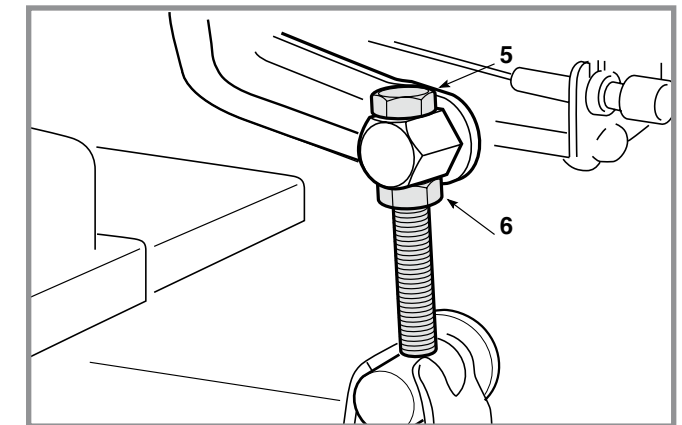
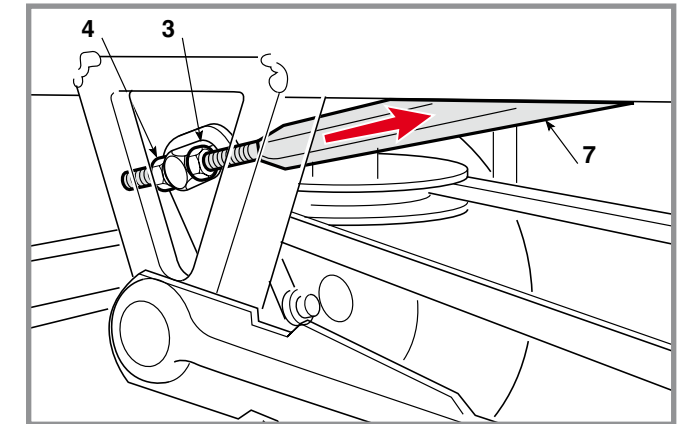
A) Combined adjustment to the parallel and the minimum front and rear height

Put the machine onto a flat and stable surface (such as a work bench) and put blocks beneath the cutting deck in line with the centre lines of the blades:

- at the front 26 mm (1)
- at the rear 32 mm (2)



then set the lifting lever to position «1» and slacken off the nuts (3), screws (5) and locknuts (4 - 6) on both the right and left hand sides, so that the deck rests firmly on the blocks.



Turn both the rear screws (5) until the rear of the deck begins to rise both at the right and the left, and then tighten the relevant locknuts (6).

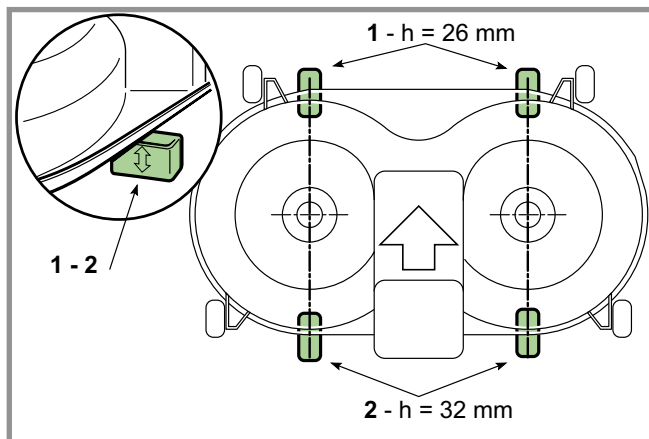
Push the two connecting rods (7) to the back and screw down the two nuts (3) on each rod until the front part of the deck just begins to rise both at the right and the left, and then tighten the relevant locknuts (4).

ALIGNING THE CUTTING DECK

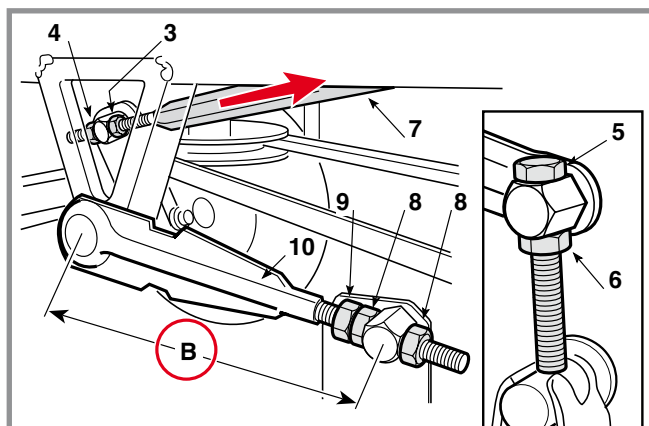
B) Adjustment of the longitudinal position

Put the machine onto a flat and stable surface (such as a work bench) and put blocks beneath the cutting deck in line with the centre lines of the blades:

- at the front 26 mm (1)
- at the rear 32 mm (2)



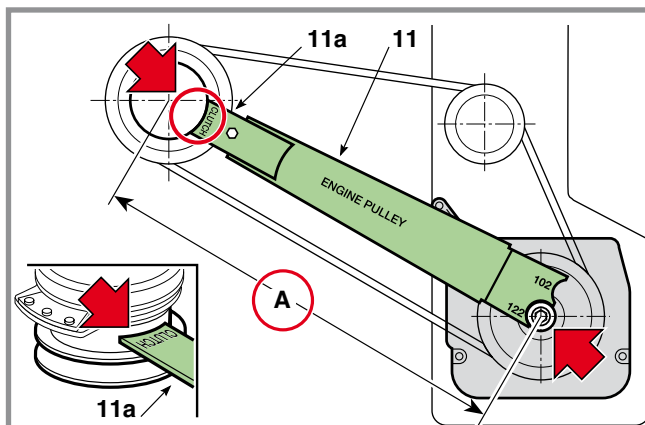
then set the lifting lever to position «1» and slacken off the nuts (3), screws (5) and locknuts (4 - 6) on both the right and left hand sides, so that the deck rests firmly on the blocks.



Slacken off the nuts (8) and locknut (9) of the two front connecting rods (10) and adjust nuts (8) of the front left connecting rod to set the exact distance «A» of:

- 489 mm (mod. 102)
- 474 mm (mod. 122)

between the centre of the engine pulley hub and the centre of the left blade shaft.



This operation is facilitated by using the checking caliper (11) suitably positioning the engine side terminal (11a) at the side marked with «CLUTCH»

Distance «B» is set by using the corresponding front right connecting rod nuts to obtain the same measurement, so that the outlet is perfectly centred with respect to the collector channel; then fully tighten the nuts (8) and locknut (9).

NOTE It is very important that distance «B» is the same on both the left and right hand sides, to prevent the belt from rubbing against the collector channel.

Turn both the rear screws (5) until the rear of the deck begins to rise both at the right and the left, and then tighten the relevant locknuts (6).

Push the two connecting rods (7) to the back and screw down the two nuts (3) on each rod until the front part of the deck just begins to rise both at the right and the left, and then tighten the relevant locknuts (4).

STEERING ALLOWANCE ADJUSTMENT

CHAPTER	REVISION	FROM ...	PAGE
4.6	0	2018	1 of 1

Validity



General informations

The steering allowance should never be excessive if driving is not to be impaired.

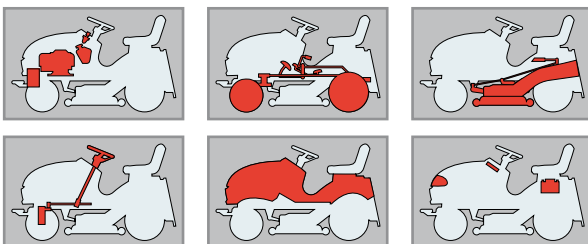
Related topics

[6.3](#) Dismantling of the steering components

Tightening torques

4 Nut for Ring gear45 ÷ 50 Nm

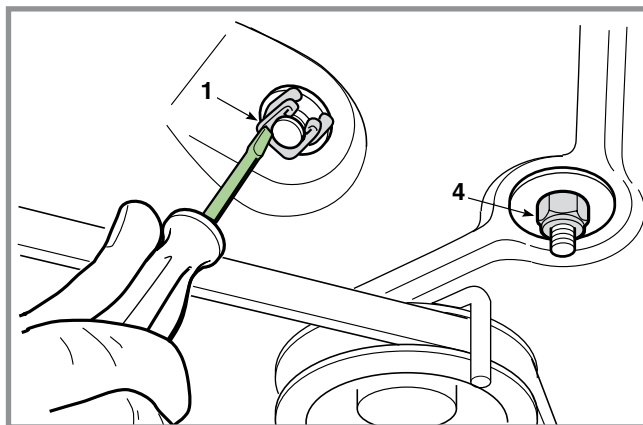
Map of functional units



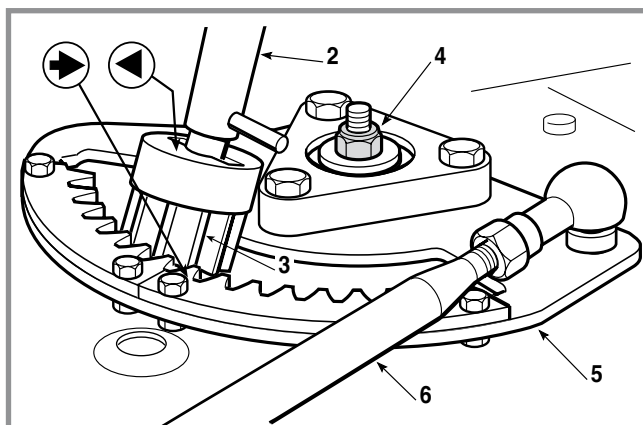
Check that the movement is not caused by loose linkage nuts and tighten all the nuts of the tie-rods and ball joints.

If the movement is due to the ring gear / pinion coupling, it will be necessary to adjust the arrangement of the set of blocks between the ring gear and the frame.

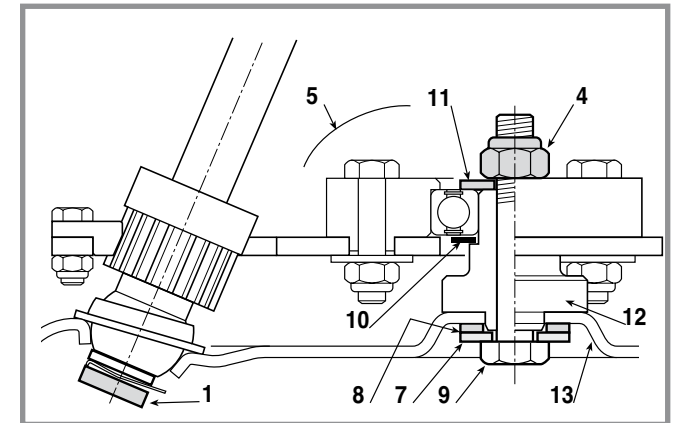
Release the spring (1) and lift the steering column (2) enough to be able to draw out the pinion (3).



Unscrew the nut (4) and take out the whole ring gear shaft (5) without dismantling the tie-rod (6), being careful not to lose the washers (7) and (8) under the screw head (9).



Remove one or both of the shims (10) under the ring gear according to the amount of allowance to be recovered and reposition those removed under the upper washer (11) to leave them available for future use.



If the movement is still there after having removed all the spacers, check and, if necessary, replace the ring gear/pinion unit, or look for other possible causes.

Upon assembly, make sure the pin (12) is correctly centred to the chassis housing (13), accurately reposition the two washers (7 - small hole) and (8 - large hole) under the screw head (9) and fully tighten the nut (4).

Reassemble the pinion and the ring gear shaft, lining up the two reference points (⇒ - ◀) punched on them.

STEERING GEOMETRY ADJUSTMENT

CHAPTER	REVISION	FROM ...	PAGE
4.7	0	2018	1 of 1

Validity



General informations

The correct steering geometry is given by the values of the centre distance between the joints of the tension rod and the wheel connecting rod. Any faults caused by knocks or accidents result in reduced driving precision and increased wear on the tyres. These can be overcome as follows:

- uneven or excessive wear on the front tyres = toe-in adjustment
- the machine does not maintain a straight line when the steering wheel is straight = adjustment of tie-rods.

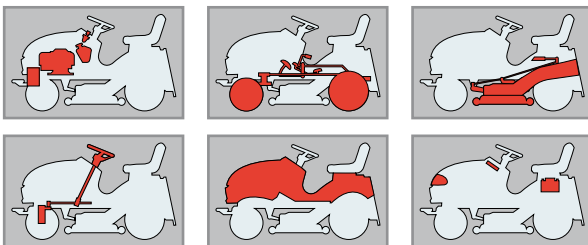
Related topics

Tightening torques

3 - 7 Locknuts for articulated joints25 ÷ 30 Nm

4 - 8 Nuts for articulated joints45 ÷ 50 Nm

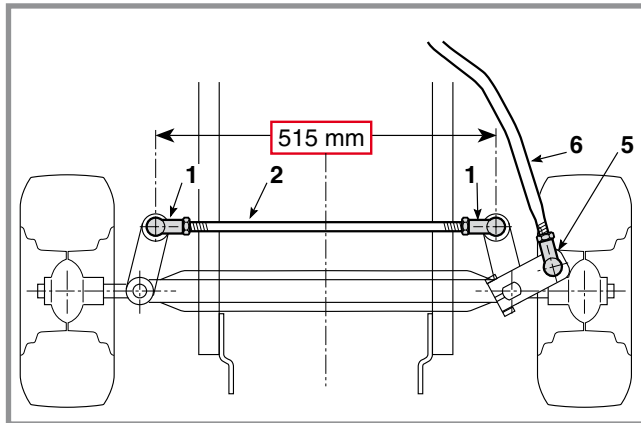
Map of functional units



NOTE Before any other action, check that the joint fastenings have not become loose.

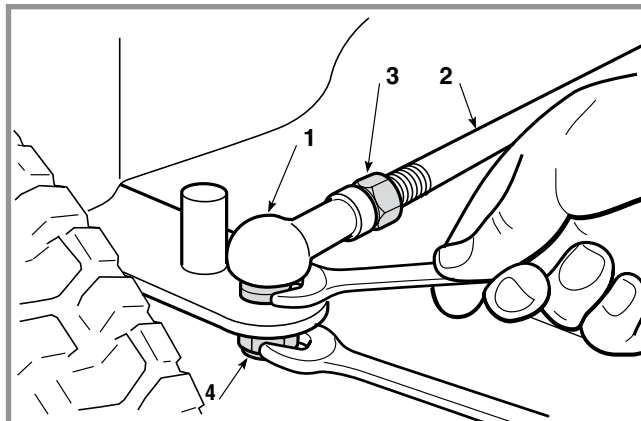
A) Toe-in adjustment

An exact toe-in is achieved with a centre distance of 515 mm which is measured between the centres of the articulated joints (1) of the wheel connection rod (2).



If a different distance is found, dismantle one or both the joints and screw or unscrew them on the rod (6) as much as necessary.

On assembly, fully tighten the locknuts (3) and the fastening nuts (4) of the joints.

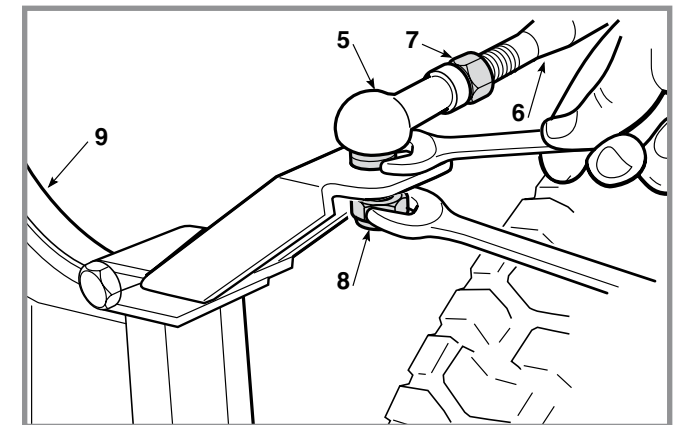


B) Adjustment of the steering wheel

Firstly check the toe-in (point "A") and align the front wheels.

If the steering wheel is not straight, dismantle the articulated joint (5) and screw or unscrew it on the tie-rod (6) as much as necessary.

On assembly, fully tighten the locknut (7) and the fastening nut (8) and check that the tie-rod, in its travel, does not interfere with parts or accessories of the engine even with the equaliser (9) angled in both directions.



CHECKING BLADES ALIGNMENT

CHAPTER	REVISION	FROM ...	PAGE
4.8	0	2018	1 of 1

Validity



General informations

Excessive vibration when cutting and an uneven cut can be due to misalignment of the blades owing to deformation of the flanges or the shafts as a result of accidental knocks.

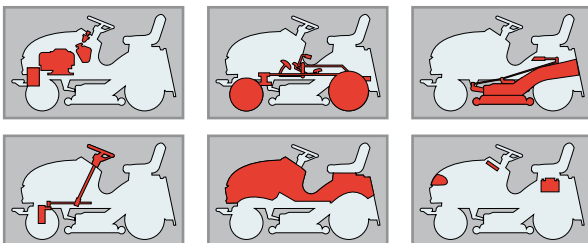
Related topics

- 4.9** Removing, sharpening and balancing the blades
- 5.7** Removal of the cutting deck
- 6.8** Replacement of the supports and shafts of the blades

Tightening torques

- 1a** Screw for left blade45 ÷ 50 Nm
- 1b** Screw for right blade45 ÷ 50 Nm

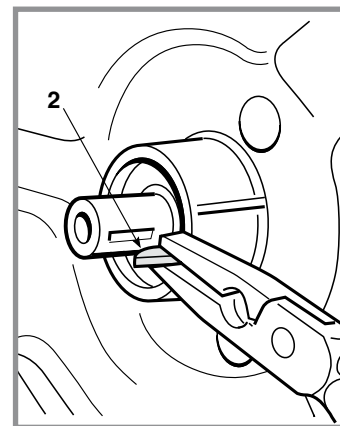
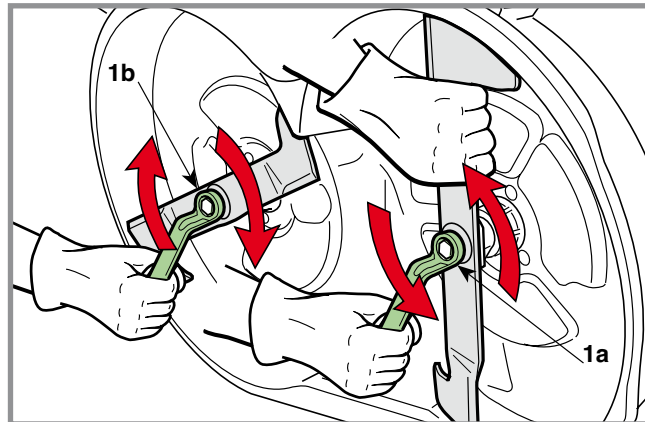
Map of functional units



Remove the cutting deck.

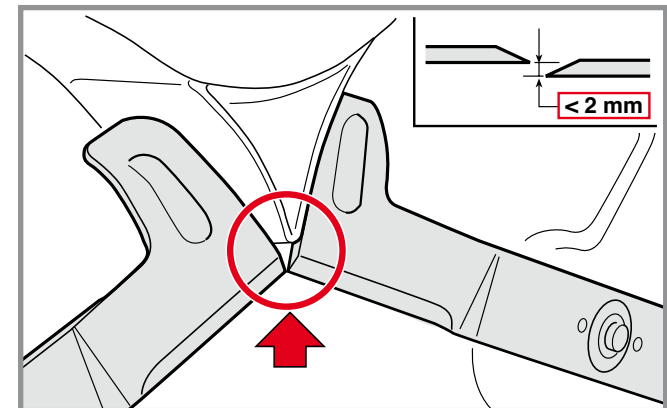
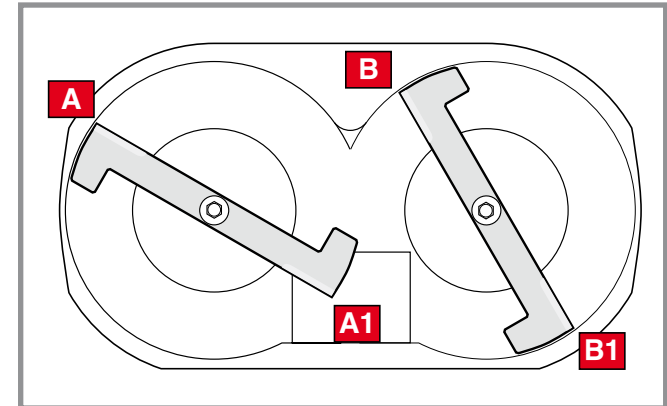
WARNING! Always wear strong gloves when handling the blades.

NOTE Take note of the unscrewing and screwing direction of the central screw (1a - 1b) of each blade.



To check the alignment of the blades, one of them must first be removed and refitted after having removed the shaft key (2), to permit independent blade rotation.

With the blades disengaged, firmly hold each blade and bring the cutting edges together in the various positions possible (A-B; A-B1; A1-B1; A1-B). At each position they should be aligned to within 2 mm.



If higher amounts are found, check that the blades are not distorted. If this is not the case, check the supports or the shafts for the blades, replacing if necessary, and check the condition of the point where the flanges rest on the cutting deck.

IMPORTANT Always replace damaged blades and do not attempt to repair or straighten them. Always use manufacturer's genuine spare parts!

IMPORTANT Having made the check, remember to refit the shaft key (2) and check that the rotating blades do not interfere with each other during a whole revolution.

Validity



General informations

A badly sharpened blade causes grass to become yellow and reduces grass collection capability. If not balanced, excessive vibration can be caused during use.

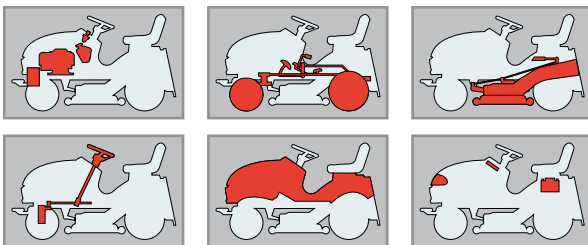
Related topics

[\[5.7\]](#) Removal of the cutting deck

Tightening torques

1a	Screw for left blade	45 ÷ 50 Nm
1b	Screw for right blade	45 ÷ 50 Nm

Map of functional units



☞ Remove the cutting deck

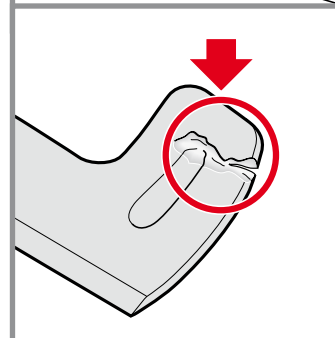
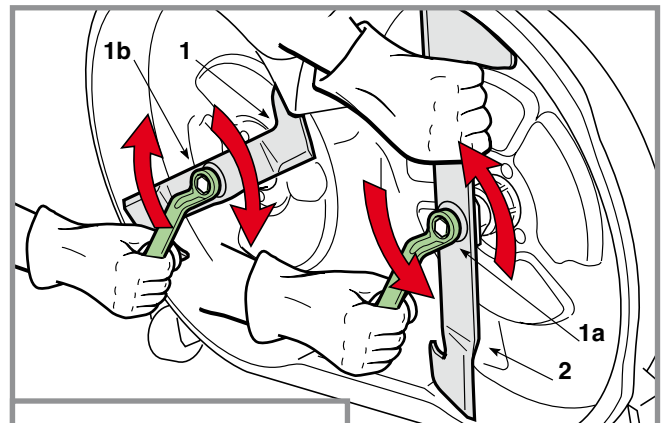
⚠ WARNING! Always wear protective gloves when handling the blades and protect eyes when sharpening.

⚠ WARNING! The blades are connected to each other, the rotation of each blade engages the rotation of the other.

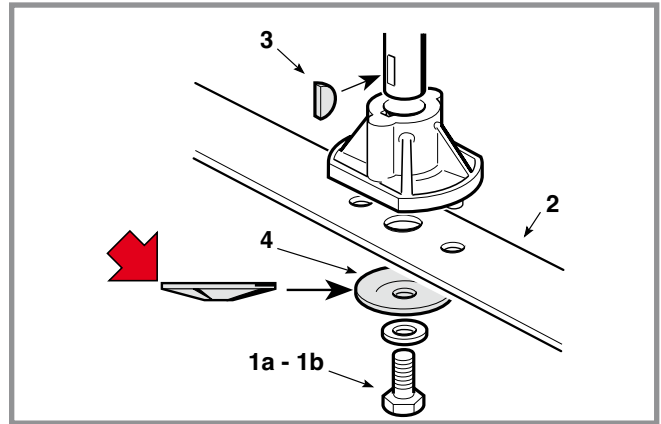
A) Removing and reassembling

For removing a blade it must be firmly held and the central screw (1) undone, bearing in mind that:

- the screw on the left blade (1a) is unscrewed anti-clockwise
- the screw on the right blade (1b) is unscrewed clockwise.

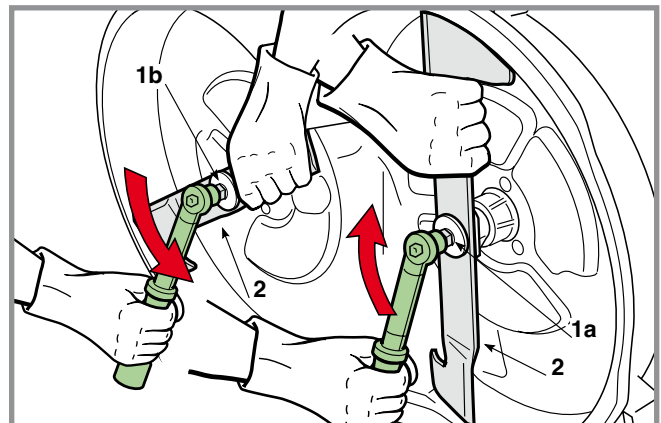


⚠ Always check that the fins are intact with cracks or breaks. Always replace damaged blades.



⚠ On assembly, be careful to:

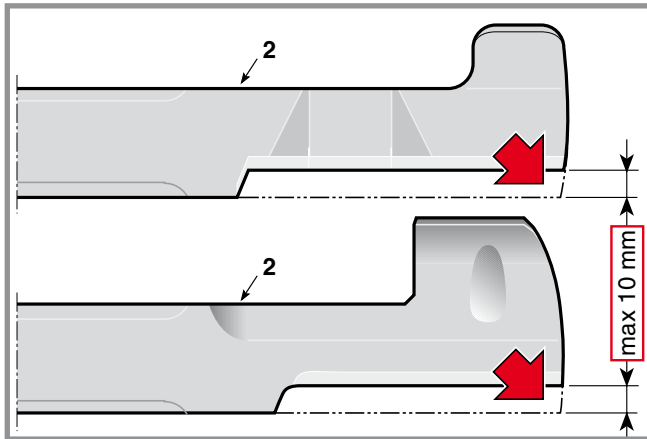
- correctly position the keys (3) on the shafts;
- correctly locate the right and left blades, with the fins facing towards the inside of the plate;
- fit the flexible disc (4) so that the concave part is pressing against the knife;
- tighten the screws (1 - 1a) with a torque wrench set to 45-50 Nm.



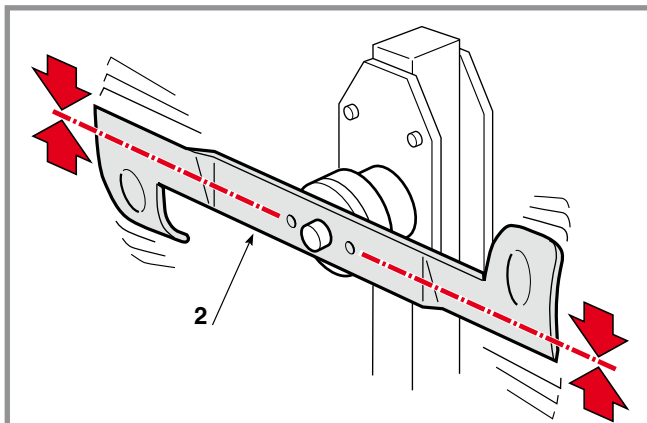
B) Sharpening and balancing

Always sharpen both cutting edges of the blade (2) using a medium grade grinder. Sharpening must only be done from the rounded side, removing as little material as possible.

The blade is to be replaced when the cutting edge has worn down to 10 mm.



Using the appropriate equipment, check the balance to make sure that there is a maximum difference of 2 grams between one side and the other.



REMOVAL OF FRONT HOOD

CHAPTER	REVISION	FROM ...	PAGE
5.1	0	2018	1 of 1

Validity



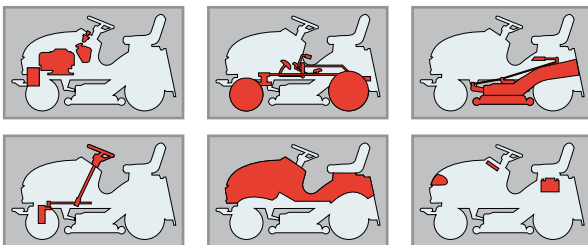
General informations

The removal of the front hood gives greater accessibility to:

- the engine and its accessories
- the silencer and protection devices

Related topics

Map of functional units

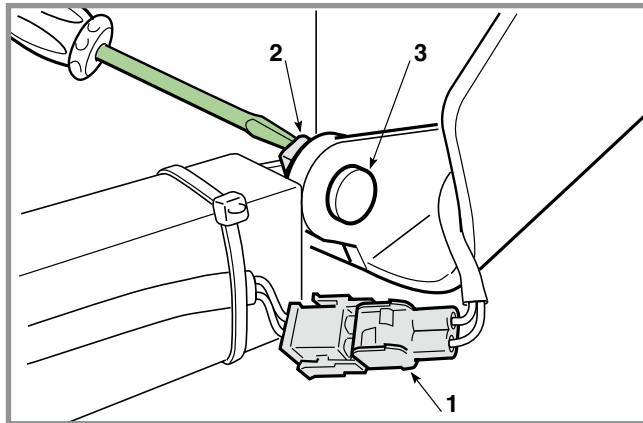


To remove the hood, disconnect the connector to the lights (1).

The hood can be secured in two ways.

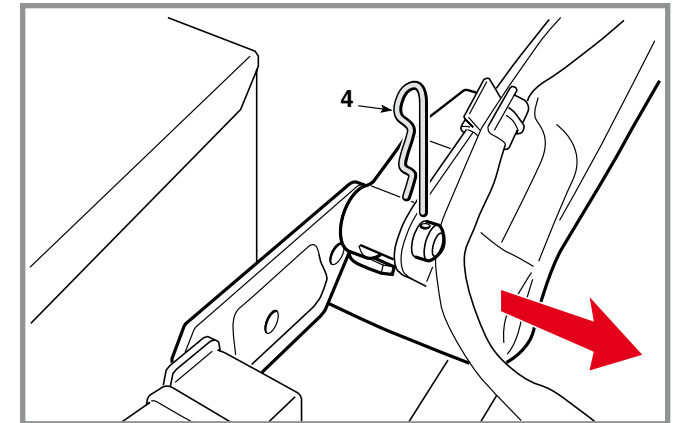
A) Fixing with springs

Unhook the two fastener springs (2) and pull out the pins (3).



B) Fixing with a split pin

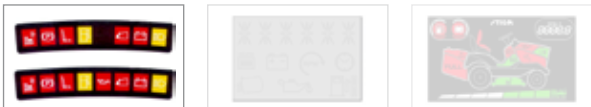
Take out the split pin (4) from the right-hand side and remove the hood by moving it to the right.



REMOVAL OF THE WHEEL COVER

CHAPTER	REVISION	FROM ...	PAGE
5.2	0	2018	1 of 2

Validity



General informations

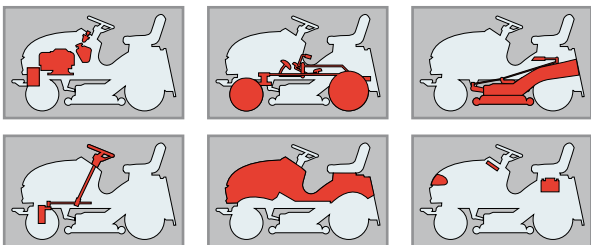
- Removing the wheel cover gives access to:
- the mount for the lever to raise the deck;
 - the supports of the footboards.

Related topics

Tightening torques

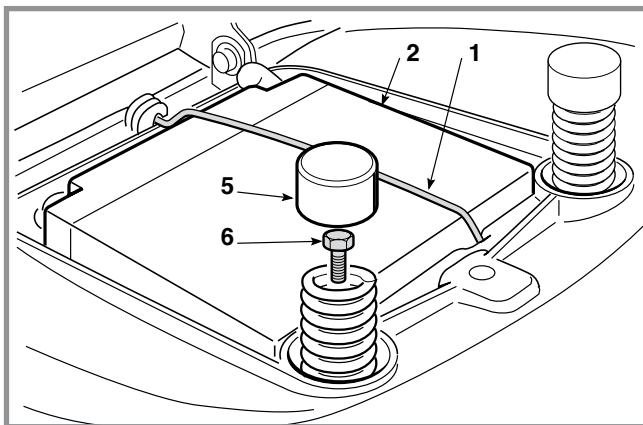
- | | |
|------------------------------------------|--------------|
| 9 Lower cover fixing screw | 4,0 ÷ 4,5 Nm |
| 10 Upper cover fixing screw | 4,0 ÷ 4,5 Nm |

Map of functional units

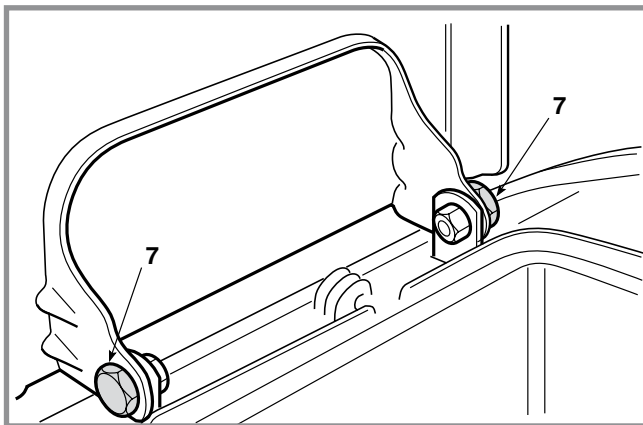


Remove the spring (1) fixing the battery, ensuring that accidental short circuits are not caused; first disconnect the black cables (earth), then the red cable (positive) and remove the battery (2).

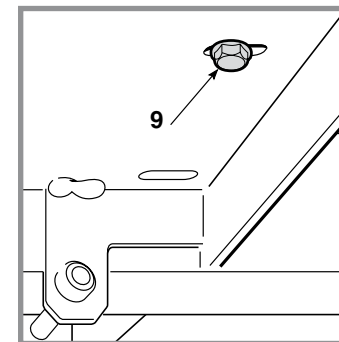
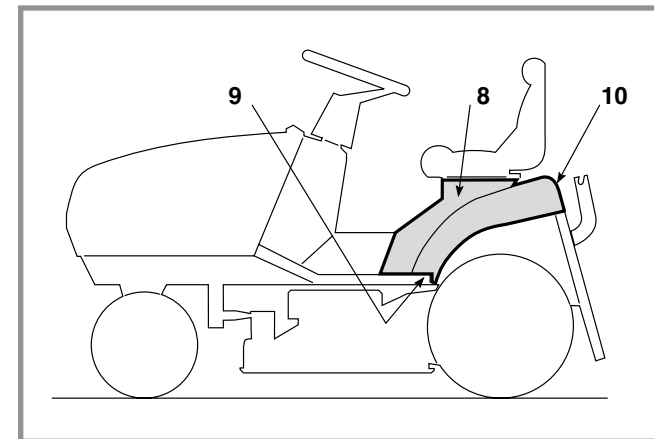
Remove the caps (5) from the springs and undo the screws inside (6).



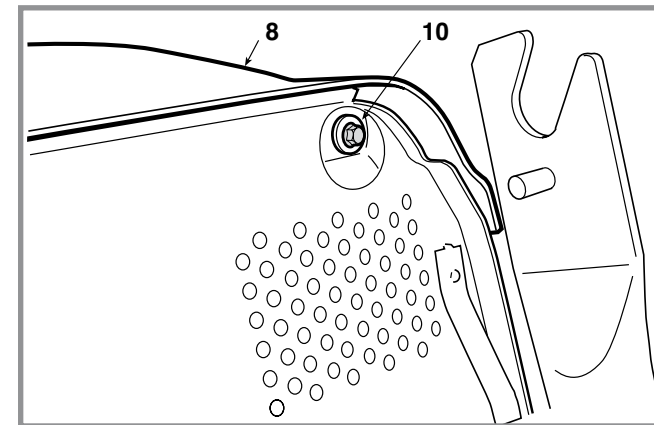
Remove the seat after having dismantled the two pins (7).



The cover (8) is fixed by two screws (9) located under the side footboards and two screws (10) fixing it to the rear plate.

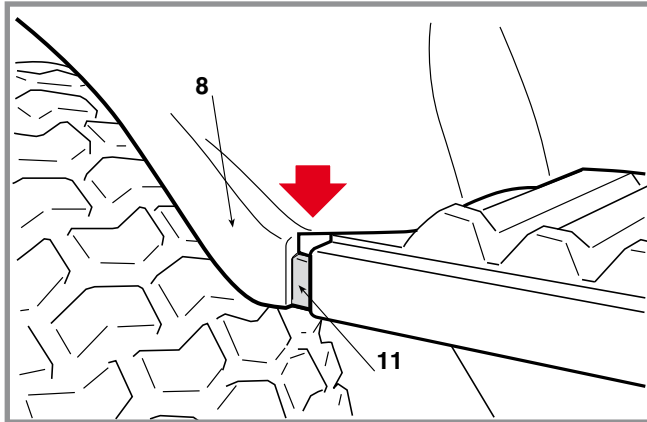


The cover (8) can be removed after the cutting height adjustment lever has been set to its highest position.



REMOVAL OF THE WHEEL COVER

On reassembly, ensure that the two side tabs (11) of the cover are correctly inserted into the housings in the footboards.



REMOVAL OF THE WHEEL COVER

CHAPTER	REVISION	FROM ...	PAGE
5.2a	1	2018	1 of 2

Validity



General informations

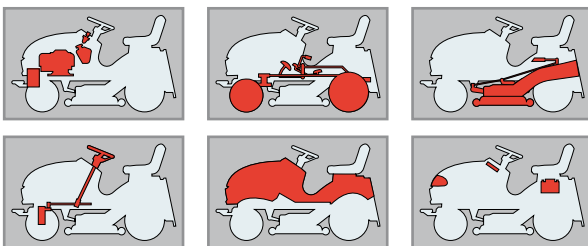
- Removing the wheel cover gives access to:
- the mount for the lever to raise the deck;
 - the supports of the footboards.

Related topics

Tightening torques

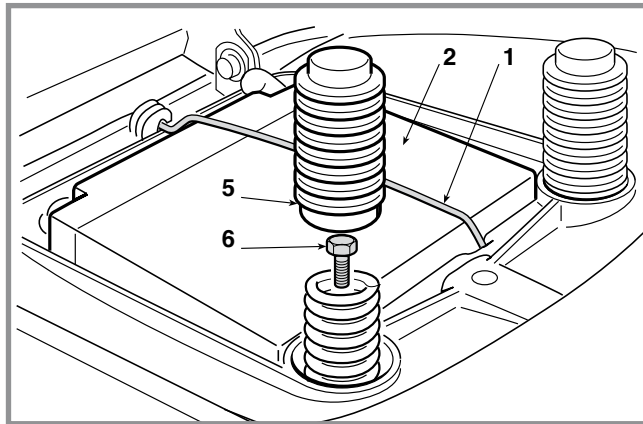
- | | |
|------------------------------------------|--------------|
| 9 Lower cover fixing screw | 4,0 ÷ 4,5 Nm |
| 10 Upper cover fixing screw | 4,0 ÷ 4,5 Nm |

Map of functional units

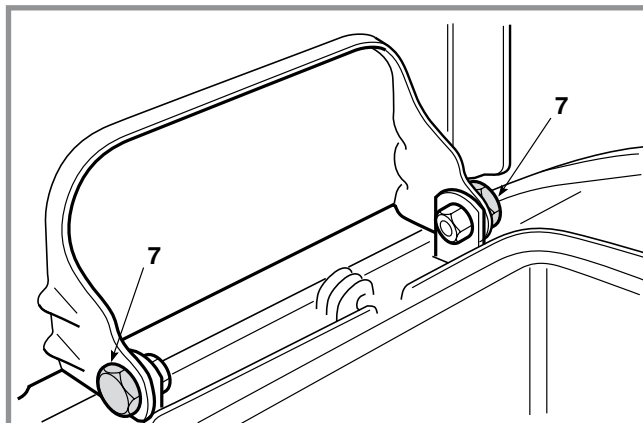


Remove the spring (1) fixing the battery, ensuring that accidental short circuits are not caused; first disconnect the black cables (earth), then the red cable (positive) and remove the battery (2).

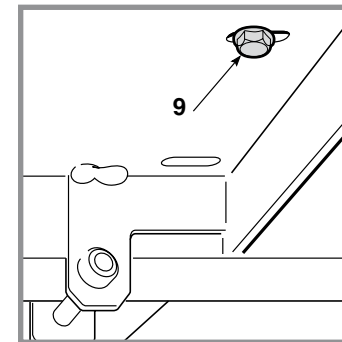
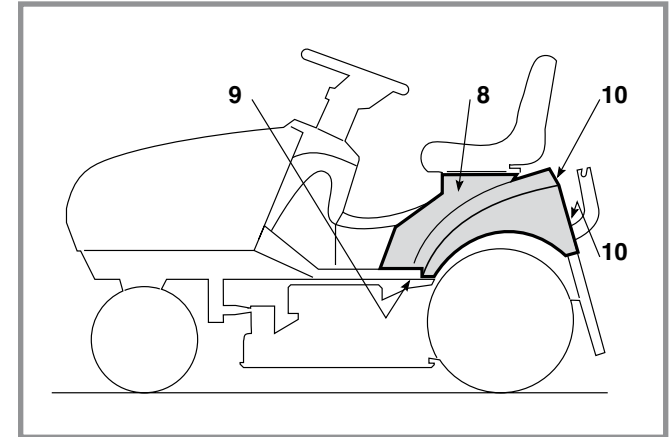
Remove the caps (5) from the springs and undo the screws inside (6).



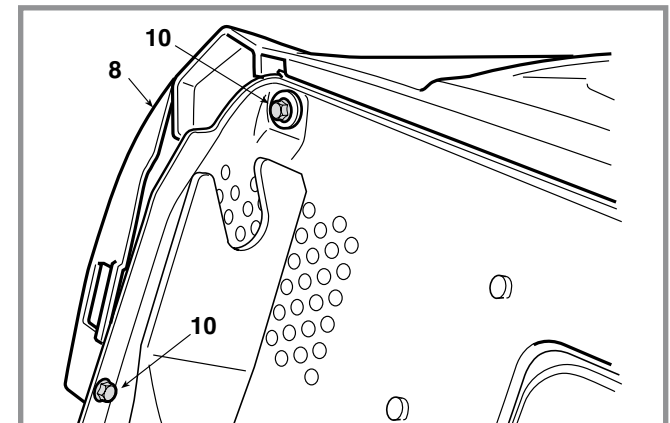
Remove the seat after having dismantled the two pins (7).



The cover (8) is fixed by two screws (9) located under the side footboards and four screws (10) fixing it to the rear plate.

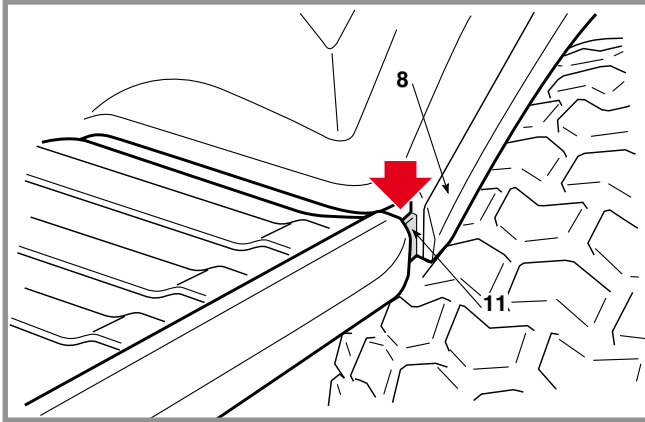


The cover (8) can be removed after the cutting height adjustment lever has been set to its highest position.



REMOVAL OF THE WHEEL COVER

On reassembly, ensure that the two side tabs (11) of the cover are correctly inserted into the housings in the footboards.



REMOVAL OF THE COLLECTOR CHANNEL

Validity



General informations

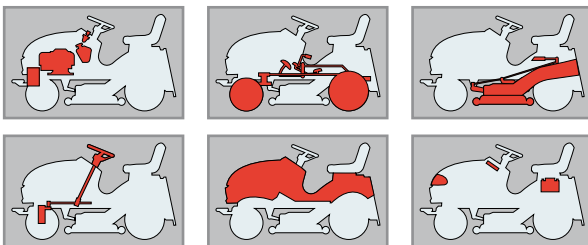
Removing the collector channel gives access to:

- the small side wheels of the drive belt;
- the traction engagement control rod

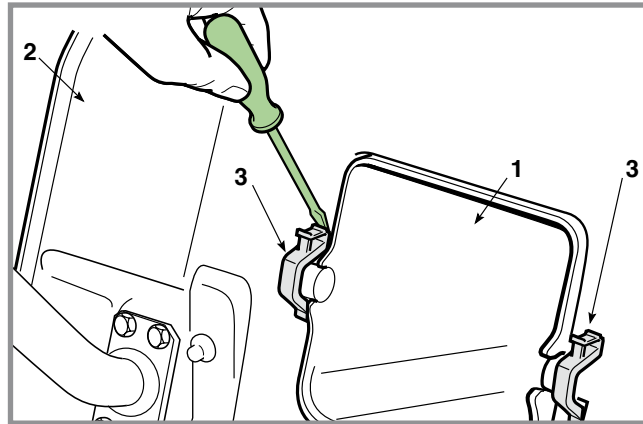
Removal of the collector channel is indispensable for dismantling the cutting deck and if the rear plate is to be removed.

Related topics

Map of functional units



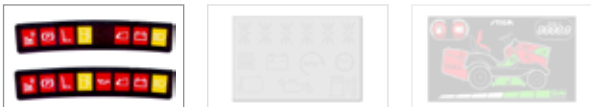
The conveyor (1) is connected to the rear plate (2) by two plastic clamps (3), removable with the help of a screwdriver.



On assembly, ensure the free vibration of the conveyor at each cutting deck height variation.

REMOVING THE DASHBOARD AND FRONT COVER

Validity



General informations

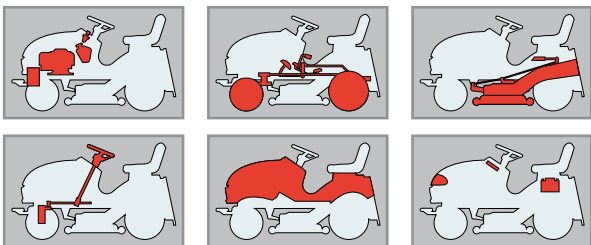
The dashboard is removed to make the following more accessible:

- the accelerator;
- the ignition block,
- various electrical components.

With some drives it could be necessary to remove the dashboard before it is possible to dismantle the fuel tank.

Related topics

Map of functional units



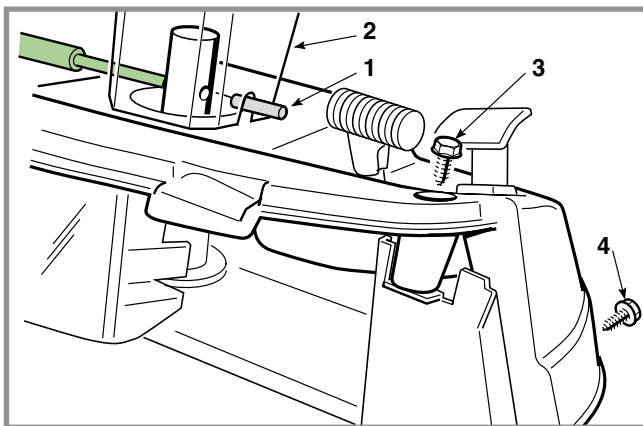
A) Removing the dashboard

Use a 5 mm diameter round bar to remove the pin (1) and take out the steering wheel (2).

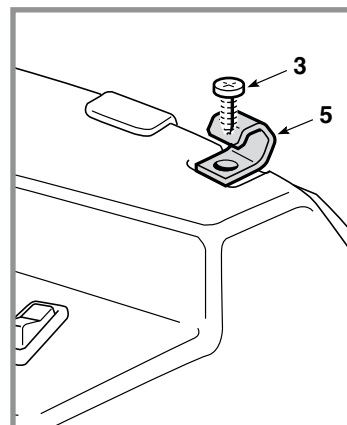
Disconnect the end of the accelerator cable from the engine and disconnect all electrical connections and the starter cable (where fitted).

At this point it is possible to remove the dashboard, which is fixed to the frame by four self-threading screws (3) and (4).

NOTE The screws (3) are covered by plastic caps on some models.

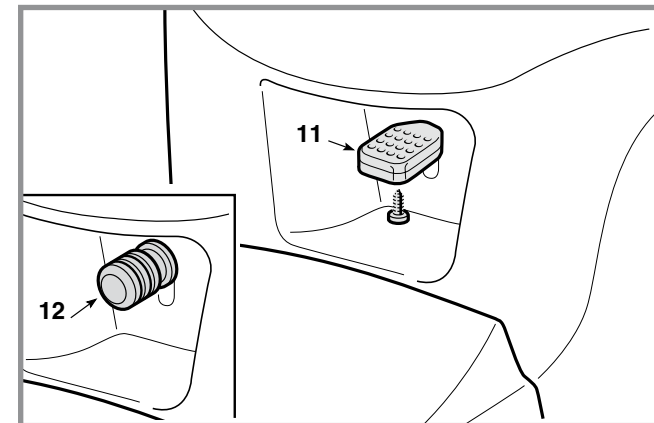


On reassembly, on some models, the direction of the springs (5) must be adjusted in relation to the position of the hood, to ensure fastening.

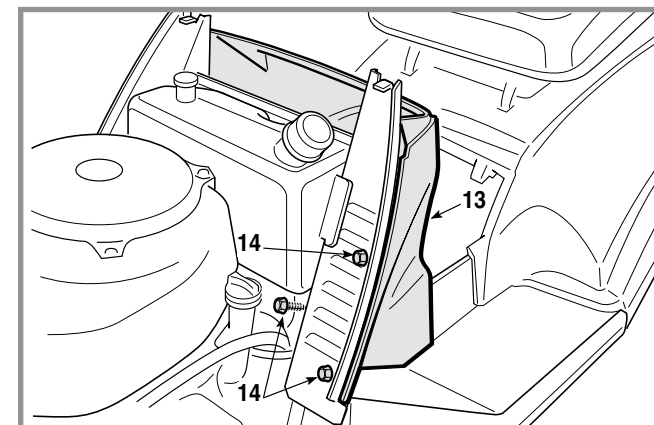


B) Removing the front cover

Remove the dashboard [see point "A"].



Remove the parking brake lever knob (11) or (12) and dismantle the front guard (13) fixed to the chassis by six screws (14).



REMOVING THE DASHBOARD
AND FRONT COVER

Validity



General informations

Removing the dashboard gives better access to:

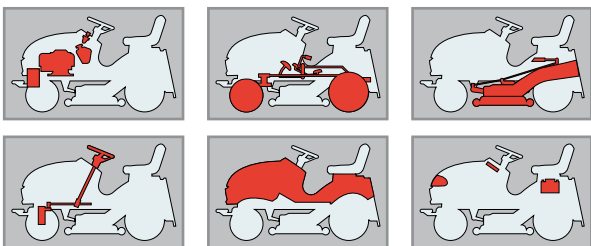
- the accelerator
- the ignition block,
- various electrical components.

With some types of engine it could be necessary to remove the dashboard before the tank can be dismantled.

Removal of the dashboard and front cover is necessary before the wheel cover can be dismantled.

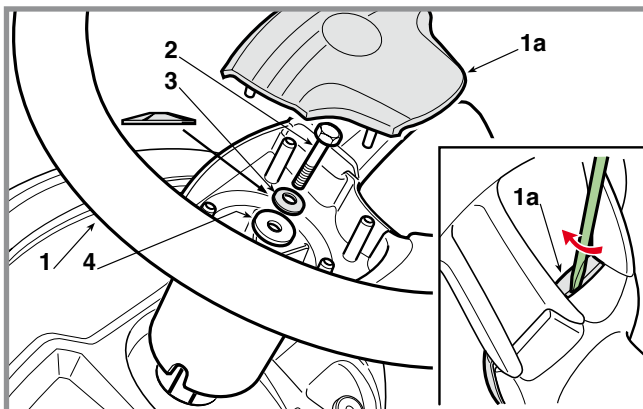
Related topics

Map of functional units



A) Removing the dashboard

Use a screwdriver to remove the central cover (1a) of the steering wheel (1), being careful not to damage it.

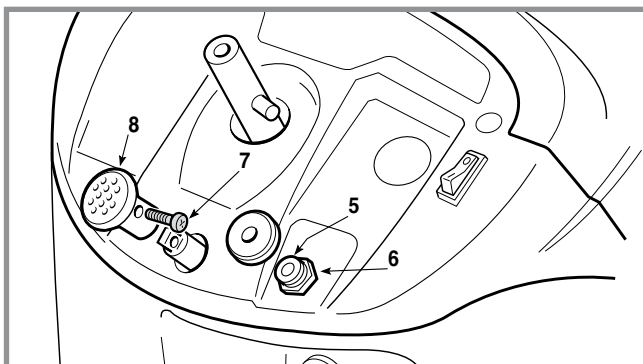


Unscrew the screw (2), remove the Belleville washer (3) and washer (4) and remove the steering wheel (1).

Unscrew nut (5) and dismantle the ignition key block (6) without disconnecting the electric cables, to prevent reassembly errors.

► **Models with cruise control:**

- Loosen the screw (7) and remove the control knob (8).

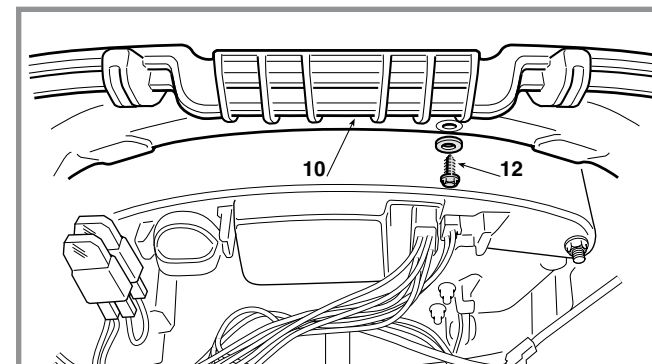
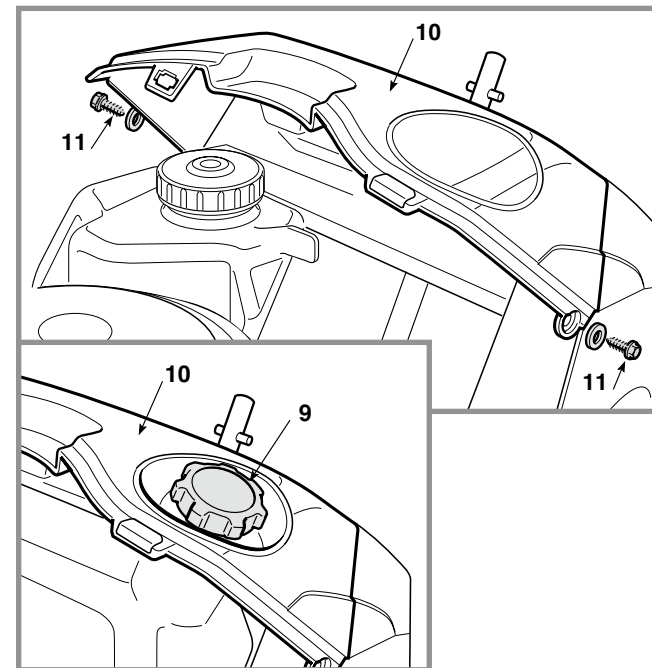


► **Models with front tank:**

- Remove the tank cap (9) and protect the nozzle to prevent foreign bodies from falling into the tank.

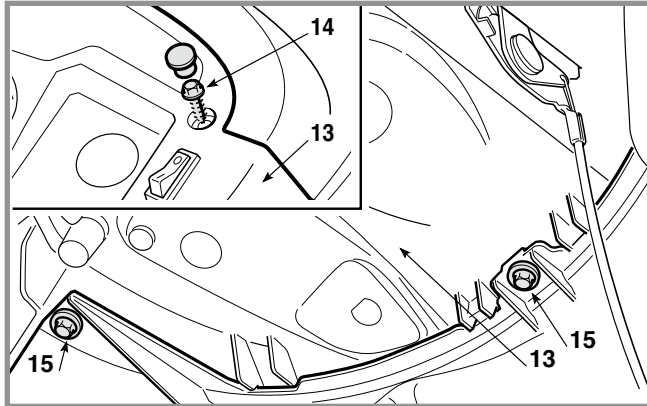
► **Models with dashboard extension:**

- Remove the dashboard extension (10), secured by screws (11) and (12).

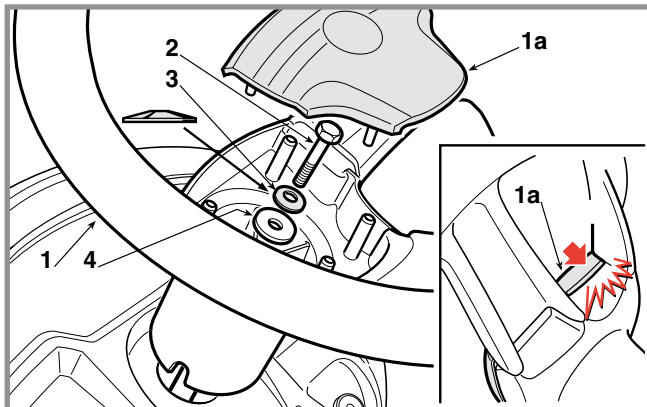


Disconnect the accelerator cable terminal from the engine and disconnect all remaining electrical connections and the starter cable (where present).

The dashboard (13) can be removed at this point; it is fixed to the chassis by two upper screws (14), covered by plastic caps, and three lower screws (15).



On assembly, follow the steps described in reverse, being careful to restore wheel alignment with the steering wheel, install the Belleville washer (3) with the concave part facing down and fully tighten the screw (2).

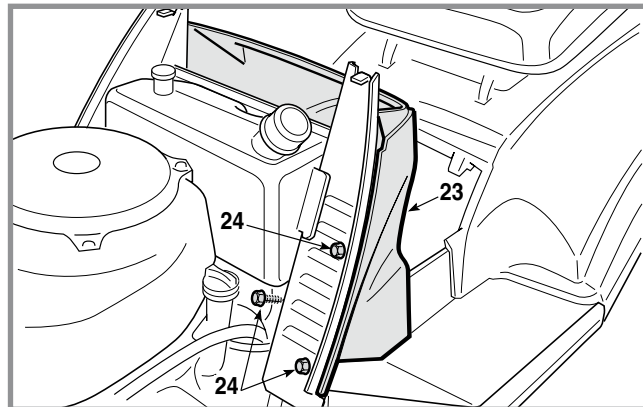
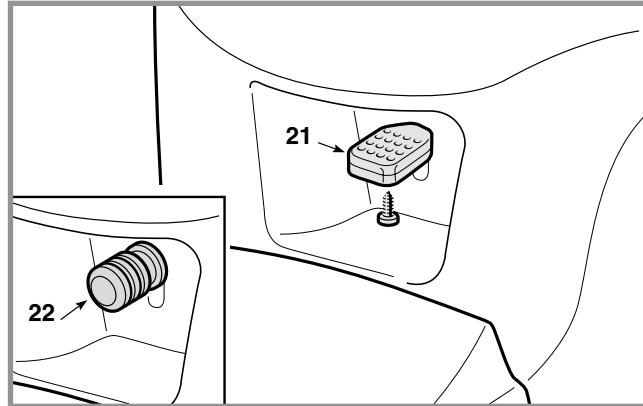


REMOVING THE DASHBOARD AND FRONT COVER

B) Removing the front cover

☛ Remove the dashboard [see point "A"].

Remove the parking brake lever knob (21) or (22) and dismantle the front guard (23) fixed to the chassis by six screws (24).



REMOVAL OF THE ENGINE

CHAPTER	REVISION	FROM ...	PAGE
5.5	1	2018	1 of 2

Validity



General informations

Since there are different types of drive, the stages described here refer to those shared or similar in all types of engine.

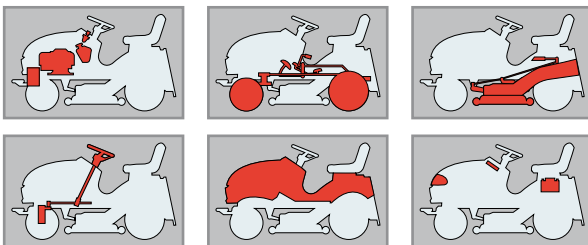
Related topics

- 4.1** Adjusting the engagement and checking the blade brake
- 4.3** Drive belt adjustment
- 5.1** Removal of front hood
- 6.9** Replacement of the accelerator and adjustment of the carburettor

Tightening torques

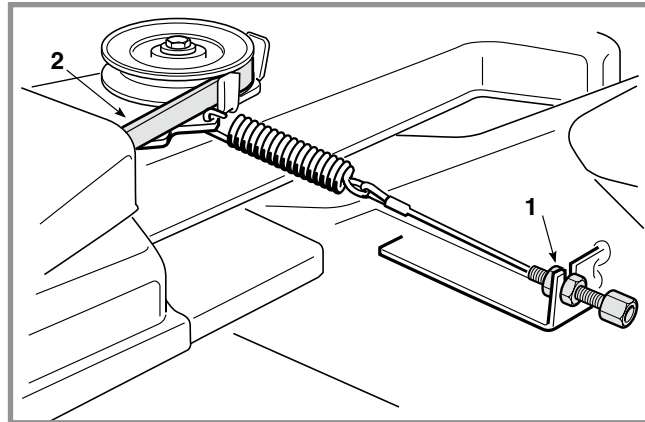
- 3-3a** Screw for pulley 45 ÷ 50 Nm
- Screws for engine fastening 25 ÷ 30 Nm

Map of functional units



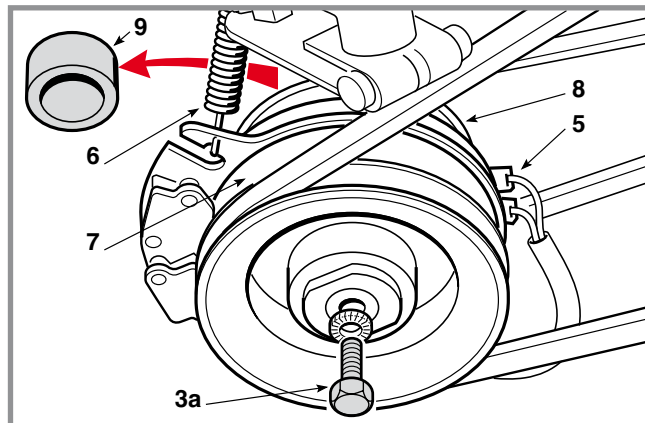
Remove the front hood.

Loosen and detach the adjuster (1) to slacken the belt (2).

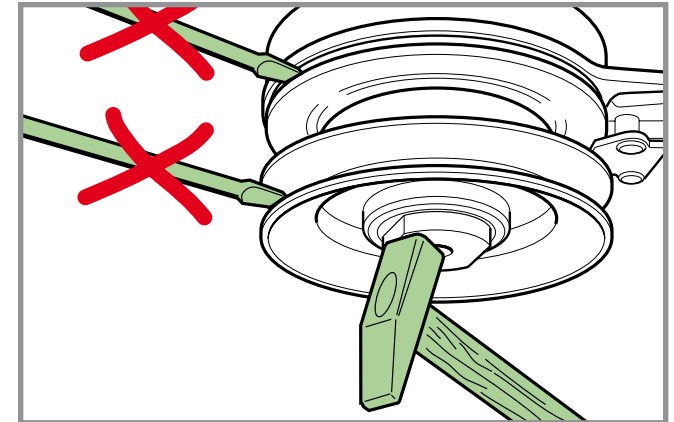


It is also advisable to slacken the transmission belt for easier access to the parts involved; this is done by slackening the stretcher.

Disconnect the connector (5), unhook the check spring (6) from the clutch side and undo the central screw (3a); remove the clutch (7) from the shaft, together with the transmission control pulley (8) and spacer (9).

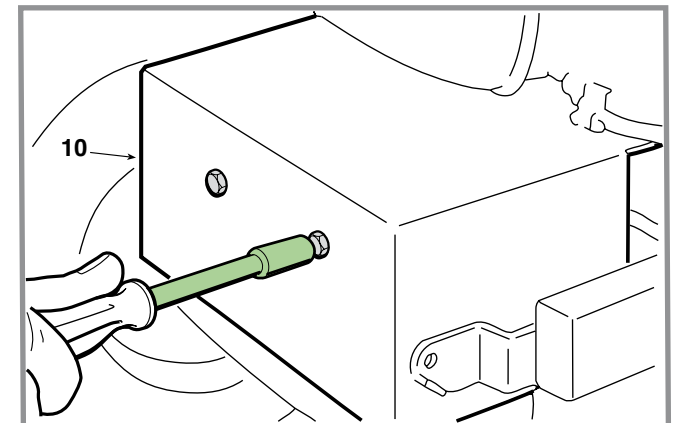



IMPORTANT To remove the clutch (7) from the engine shaft, absolutely do not use a lever to force the pulleys or the outer cover. In case of difficulty, apply an unlocking spray and gently tap on the hub with a hammer, to facilitate extraction.

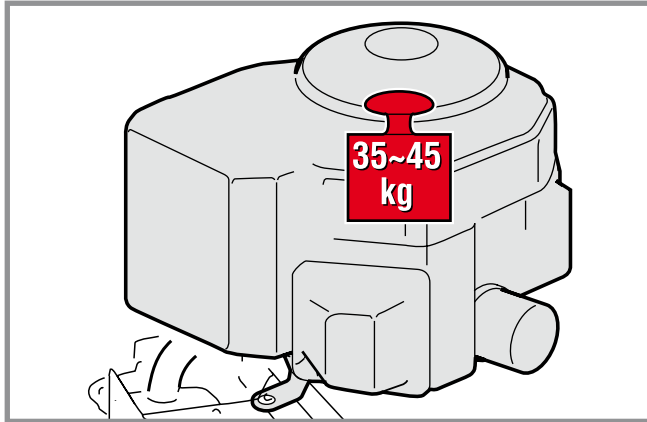


Remove the protection from the exhaust (10) and disconnect the cable control from the accelerator and all the electrical wires.

Detach the fuel line pipe, taking care not to spill fuel.




 Identify and undo all the screws that fasten the engine to the chassis, then carefully lift and remove the engine using equipment suitable for the weight of the engine (about 35-45 kg) and the designated lifting points to guarantee safe working conditions.



NOTE Some engines are held with screws of different length and in different positions, so it is best to label them so that no errors are made on reassembly.

On reassembly, fully tighten the screws for the engine and the pulley to the amounts shown.

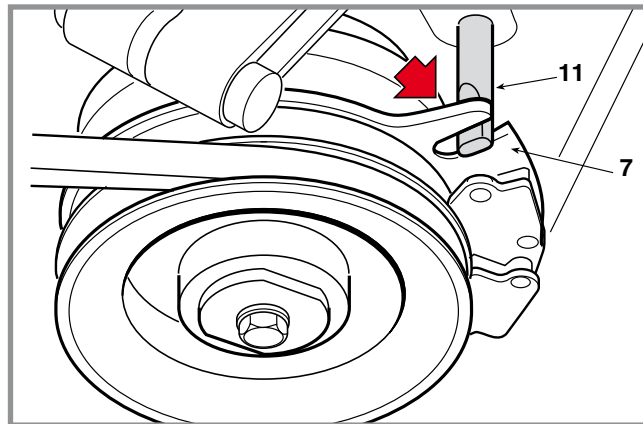
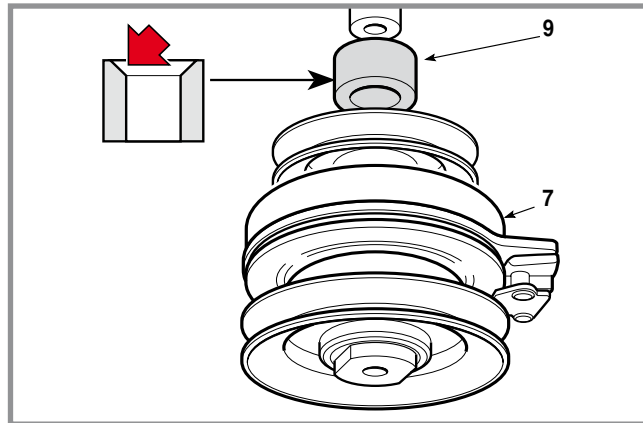
Reassemble the spacer (9), with the countersink facing the engine. Ensure that the pin (11) is inserted into the clutch spline (7) and remember to refit the spring (6).

 Remember to fit the clamps back on the fuel pipe and check that it does not leak.




Reattach all the electrical and earth contacts and refit the protection covers.

Reset the stretcher spring tension should it have been slackened.

REMOVAL OF THE ENGINE



Reattach the accelerator cable and ...

-  Adjust the «MINIMUM» position.
-  Refit the front hood.
-  Reset the adjuster (1) and check the spring tension.

**REMOVAL OF THE REAR AXLE
(Tuff Torq K46F)**

CHAPTER	REVISION	FROM ...	PAGE
5.6	0	2018	1 of 2

Validity



General informations

The rear axle (Transaxle) is made up of a single maintenance free sealed unit which includes the transmission unit (hydrostatic) and the differential and doesn't need any maintenance. It only needs to be removed to be replaced or for an overhaul by the Manufacturer's Service Centre.

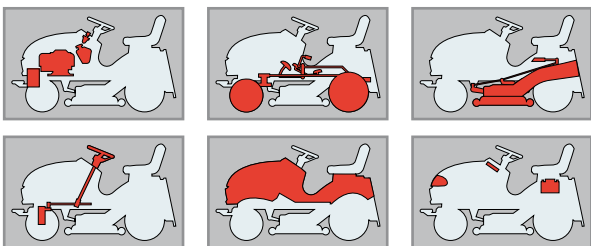
Related topics

- [🔧 4.2] Brake adjustment
- [🔧 4.4] Drive pedal adjustment
- [🔧 5.3] Removal of the collector channel
- [🔧 6.1] Replacement of tyres and wheels

Tightening torques

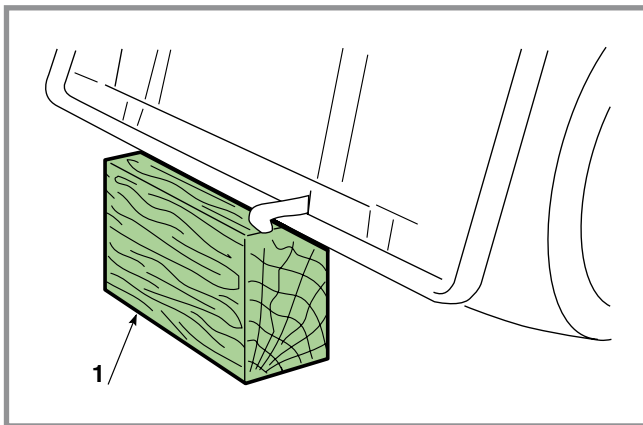
- 20 Rear axle support nut 25 ÷ 30 Nm
- 21 Screws for rear axle fastening..... 25 ÷ 30 Nm

Map of functional units



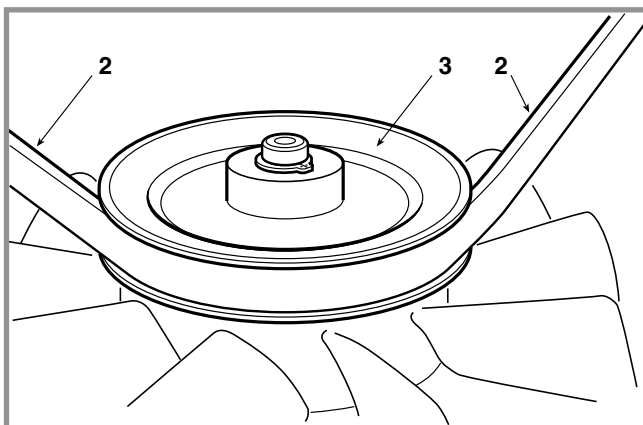
🔧 Remove the collector channel.

Place two spacers (1) of approximately 150 mm under the two ends of the rear plate.

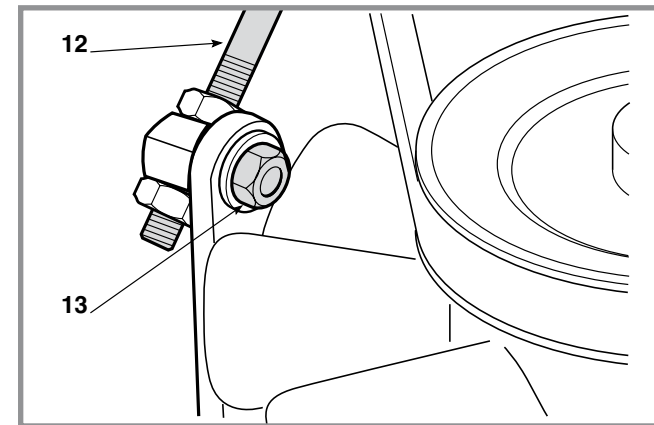


🔧 Remove the rear wheels.

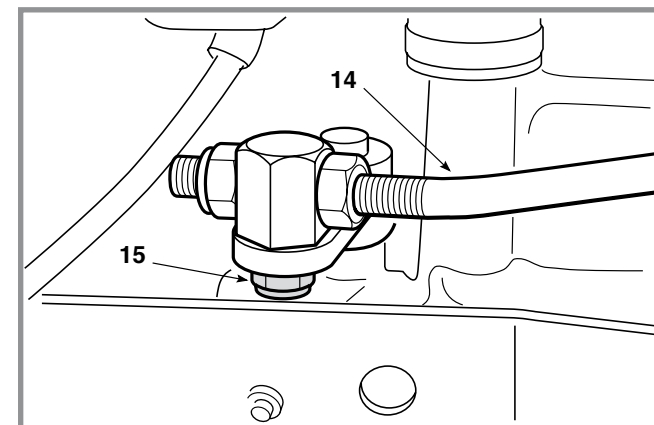
Through the outlet, grip the two ends of the belt (2) and pull it enough to free it from the race of the pulley (3), so overcoming the resistance of the stretcher on the jockey pulley.



Remove the drive control rod (12) by unscrewing the relative pin nut (13) and the brake rod (14) by unscrewing the nut (15) under the lever.

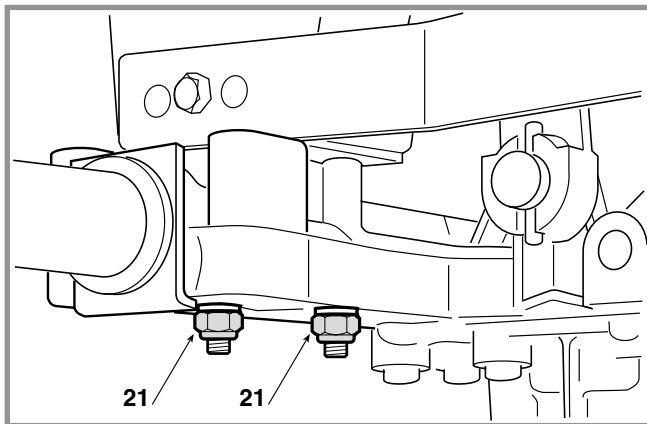
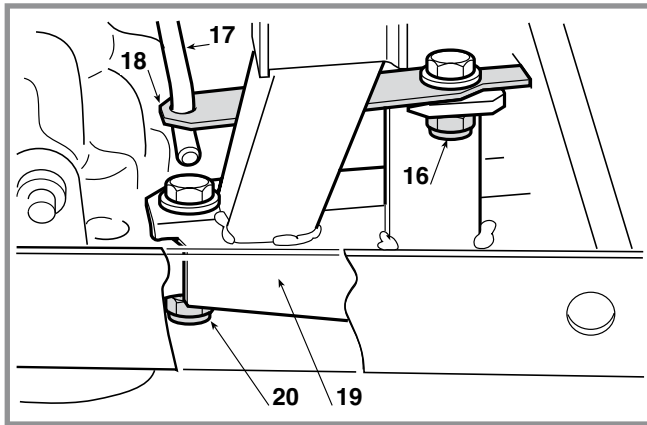


Unscrew the release lever nut (16) to disconnect the rod (17) from the lever (18).



The unit is held up by a support (19) and fastened to it by a screw with a nut (20), and it is attached to the frame by four screws (21).

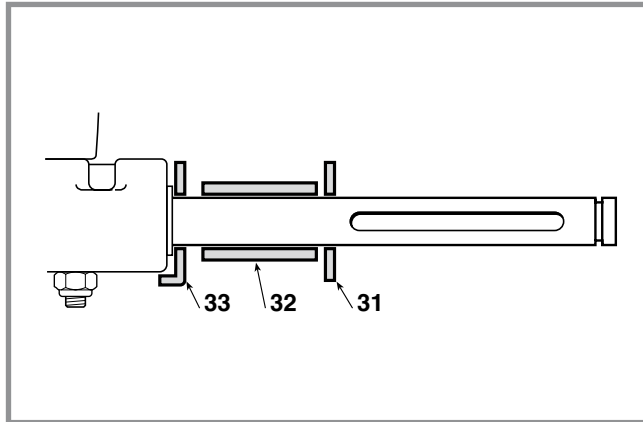
Undo the nut (20) and then carefully undo the four lower screws (21), holding up the unit so that it does not fall.



Repeat the above operations in reverse for reassembly, avoiding to fully tighten the nut (16), so that correct movement of lever (18) is guaranteed.

REMOVAL OF THE REAR AXLE (Tuff Torq K46F)

Check that the spacers (31 - 32 - 33) are correctly fitted to the shafts, in the sequence given.



Reattach all the connections, and then ...

- ☛ Check the brake.
- ☛ Refit the collector channel.
- ☛ Refit the rear wheels.

If the control rod has been replaced or completely pulled down:

- ☛ Adjust the travel and the position of "neutral" for the pedal.

REMOVAL OF THE CUTTING DECK

CHAPTER	REVISION	FROM ...	PAGE
5.7	0	2018	1 of 1

Validity



General informations

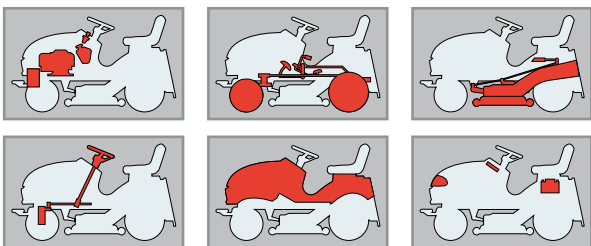
Removing the cutting deck facilitates all operations involving the blade connecting toothed belt and the overhaul and replacement of the hubs, bearings or blade shafts.
With some practice and experience it is possible to do this work with the deck still in position.

Related topics

[👉 4.5] Aligning the cutting deck

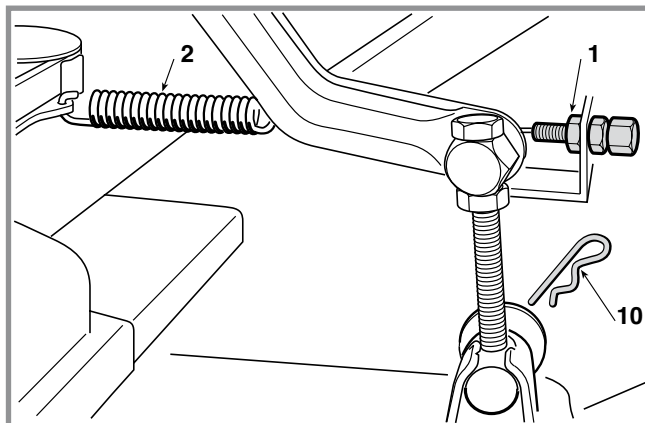
[👉 5.3] Removal of the collector channel

Map of functional units



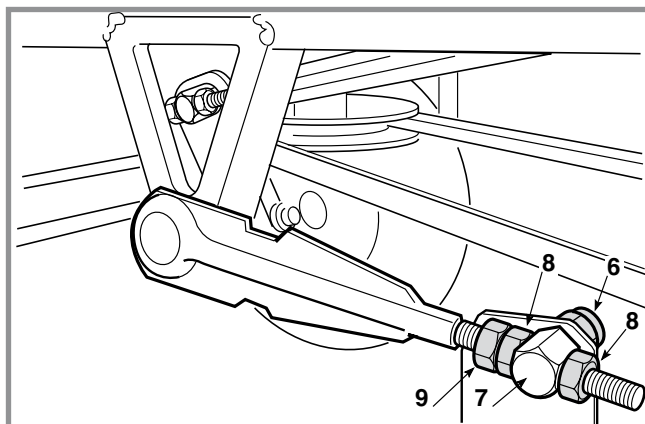
👉 Remove the collector channel..

After having put the cutting height lever in position «1», loosen the engagement cable adjuster (1) and take it out

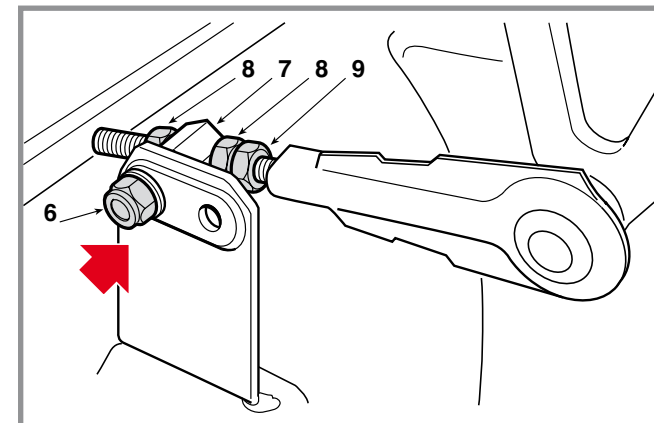


Unscrew the two nuts (6) of the two front connecting rod pins (7), without loosening or changing the position of the nuts (8) and locknuts (9).

Remove the two split-pins (10) of the rear pins and then, having checked that there are no obstructions, the deck can be removed by extracting it in such a way that all the pins leave their housings.



On reassembly ensure that the two rear holes of the corner joints are used for fixing the pins (7), without locking the relative nuts (6).



After having restored all the connections, ...

👉 Refit the collector channel.

If the nuts and locknuts (8 – 9) were accidentally moved...

👉 The deck must be properly adjusted.

REPLACEMENT OF TYRES AND WHEELS

CHAPTER	REVISION	FROM ...	PAGE
6.1	0	2018	1 of 1

Validity



General informations

The tyres used are of the "Tubeless" type and so every repair of a hole in the tyre must be done by a tyre specialist according to the methods used for this type of tyre.

Related topics

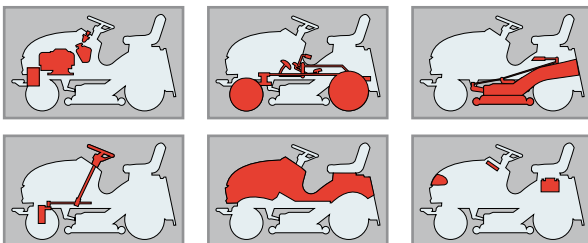
[🔧 2.3] Lifting of the machine

[🔧 4.5] Aligning the cutting deck

Tyre pressures

Front	(Tyres 13 x 5.00-6)	1,5 Bar
.....	(Tyres 15 x 5.00-6)	1,0 Bar
Rear		1,2 Bar

Map of functional units



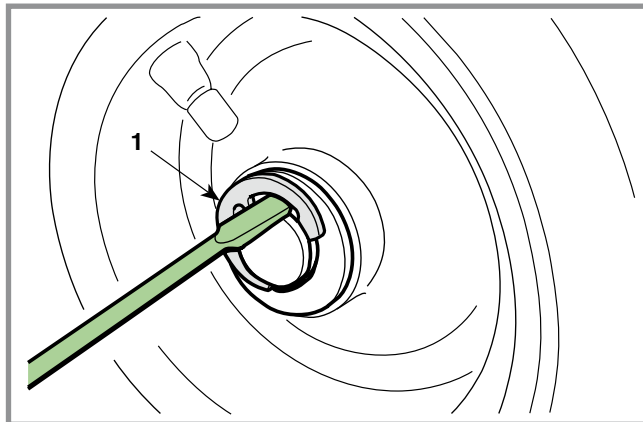
A) Tyres

After replacing one or more tyres or the wheels, it is always necessary to check the pressure and to check the alignment of the cutting deck.

⚠ ATTENZIONE Replace distorted wheel rims as they could impair the tyre's hold.

B) Wheels

The wheels are held by a snap ring (1) which can be removed with the help of a screwdriver.

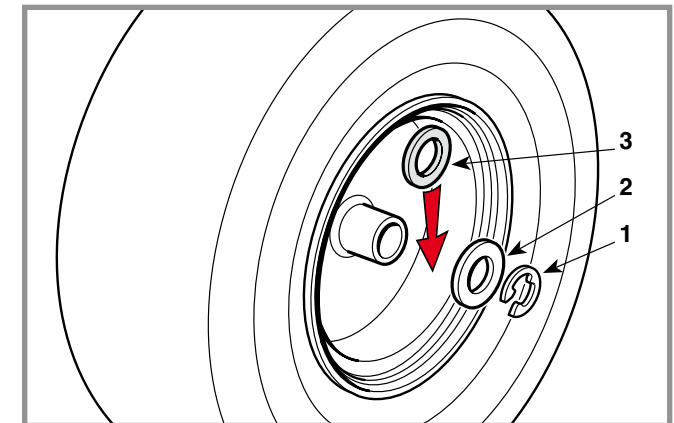


NOTE If a wheel is jammed onto the shaft, use a releasing spray, directing it around the splining hole.

On assembly it is advisable to spread grease on the shaft to facilitate the next wheel removal.

● **For the front wheels:** replace the shoulder washer (2) and the flexible ring (1) with the bevel facing inwards.

● **For the rear wheels:** replace the shoulder washer (2) and the flexible ring (1) with the bevel facing inwards and check the axial gap of the wheel on the shaft; if it is greater than 3 mm, a spacer (3) must be fitted between the wheel hub and the shoulder washer (2).



Validity



General informations

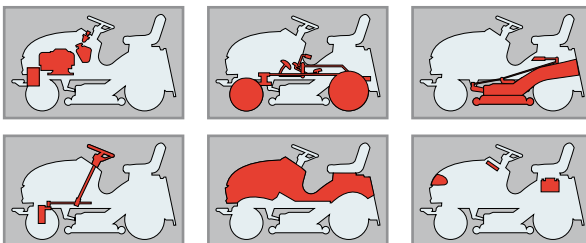
Related topics

[🔧 2.2] Tools

[🔧 2.3] Lifting of the machine

[🔧 6.1] Replacement of tyres and wheels

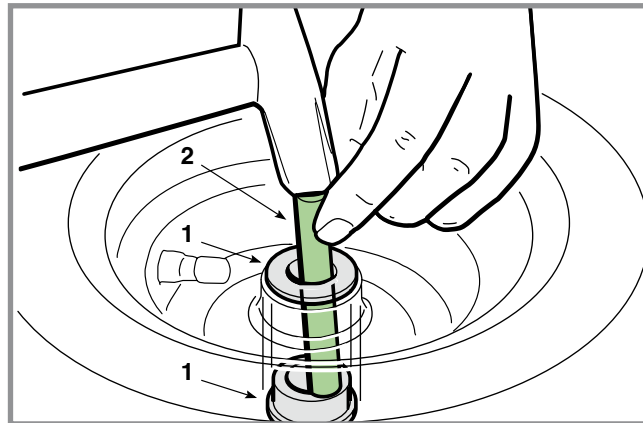
Map of functional units



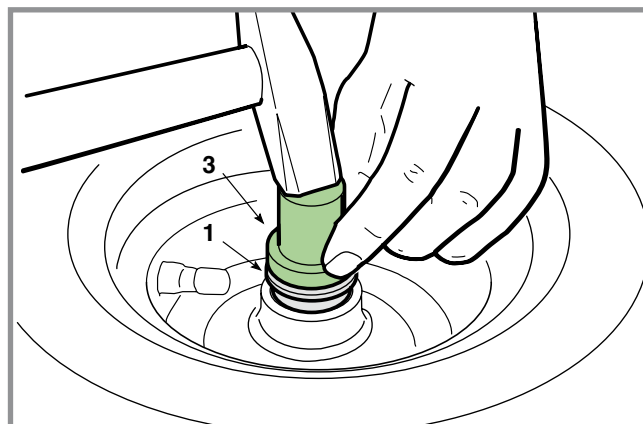
🔧 Dismantle the front wheel.

The front wheel bearings (1) are force splined into the front wheel hub.

A 10 - 12 mm diameter round bar (2) must be used to extract a bearing, inserted from the opposite side and struck with a hammer around various points of the inner circumference of the bearing.



The new bearing must be fitted with the help of a plastic mallet or of a bronze pad (3) that only acts on the bearing's outer ring.



Validity



General informations

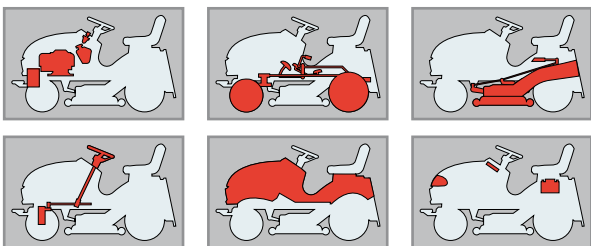
Related topics

[\[4,7\]](#) Steering geometry adjustment

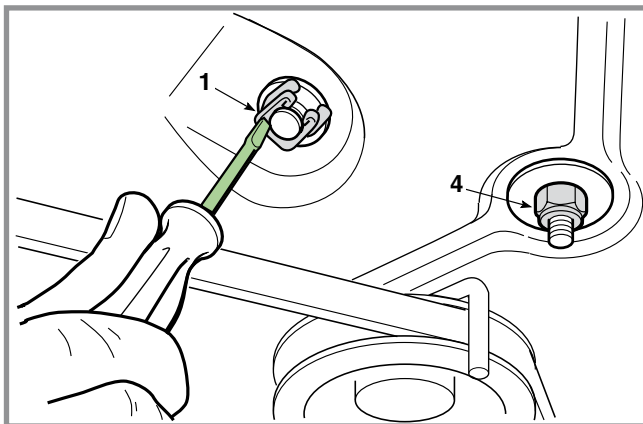
Tightening torques

4	Nut for Ring gear	45 ÷ 50 Nm
11	Nuts for toothed sector fastening ..	10 ÷ 15 Nm
13	Nuts for bearing fastening	25 ÷ 30 Nm

Map of functional units

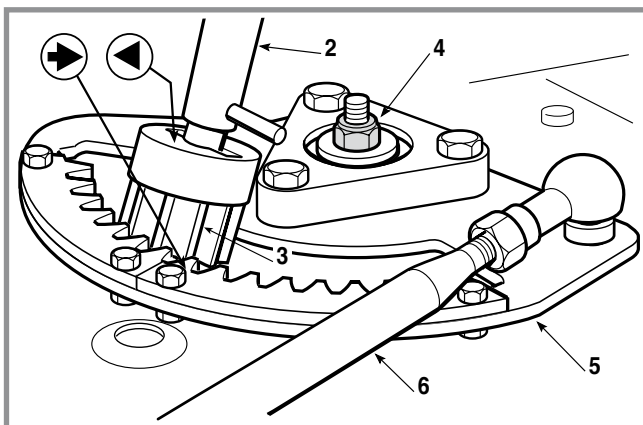


Unhook the spring (1) and lift the steering column (2) just enough to be able to draw out the pinion (3).

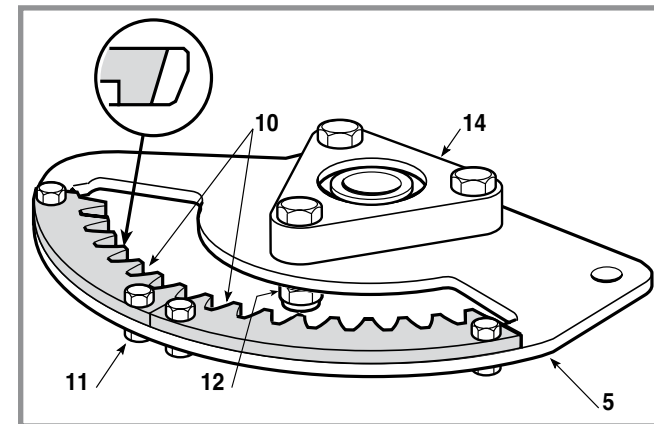


A) Dismantling the steering pinion and ring gear

Remove the tie-rod (6), unscrew the nut (4) and take out the whole ring gear shaft (5) being careful not to lose the washers (7) and (8) under the screw head (9).



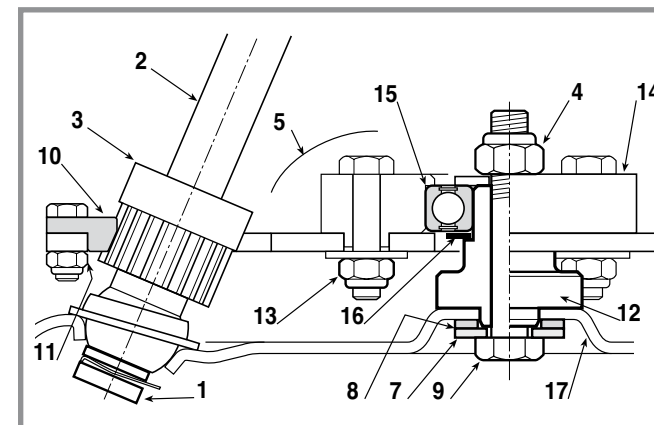
Toothed sectors (10) are secured to the ring gear (5) by screws and nuts (11).



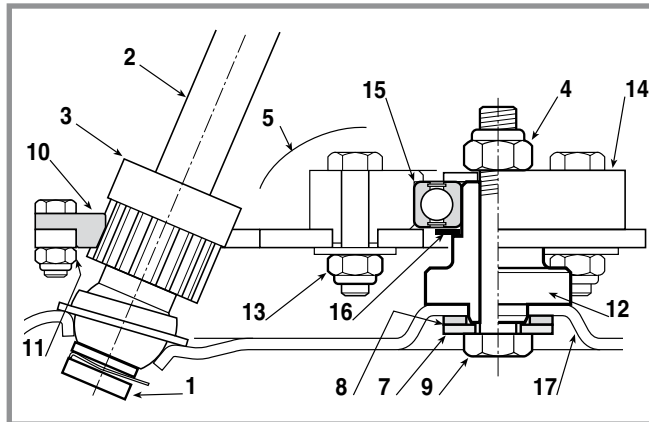
When replacing, be careful to assemble sectors with the flared part of the teeth facing down.

Check ring gear allowance (5) compared to the pin (12); if excessive, replace the bearing.

Unscrew the three nuts (13), remove the support (14) and slide out the bearing (15) to replace.



During assembly, please note that to replace both the ring gear teeth and pinion simultaneously, shims (16) (removed earlier) must be replaced under the bearing (15) to restore correct allowance between teeth.



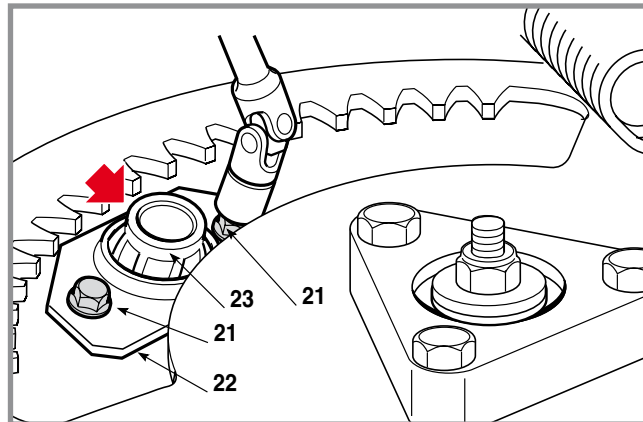
Make sure the pin (12) is correctly centred to the chassis housing (17), accurately reposition the two washers (7 - small hole) and (8 - large hole) under the screw head (9) and fully tighten the nut (4).



Reassemble the pinion and the ring gear shaft, lining up the two reference points (⇒ - ◀) punched on them.

B) Lower bush replacement

Use a universal socket wrench to unscrew the two screws (21) that fix the plate (22) and remove the spherical lower bush (23).



On reassembly ensure that the bush (23) is fitted with the protuberant part upwards.

Refit the plate (22) without tightening the screws (21).

Align the pinion with the crown wheel and insert the end of the steering wheel column (2) in the hole in the spherical bush (23); fully tighten the screws (21) after having checked the correct alignment and regular rotation of the steering wheel column.

When reassembled ..

☛ Check the steering geometry.

REPLACEMENT OF THE DRIVE BELT

Validity



General informations

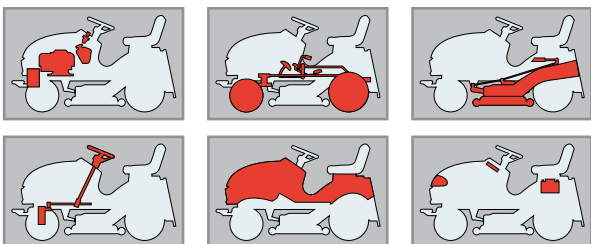
Related topics

- [\[4.3\]](#) Drive belt adjustment
- [\[5.3\]](#) Removal of the collector channel
- [\[5.5\]](#) Removal of the engine
- [\[8.2\]](#) Belts assembly

Tightening torques

3 - 4 Nuts for pulleys.....	25 ÷ 30 Nm
7 Nuts for small wheels	25 ÷ 30 Nm

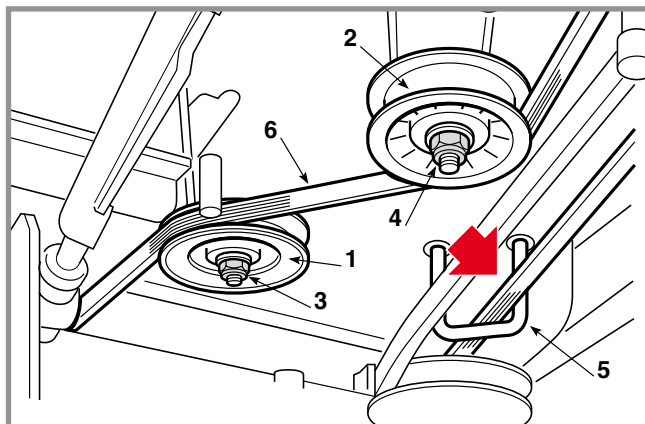
Map of functional units



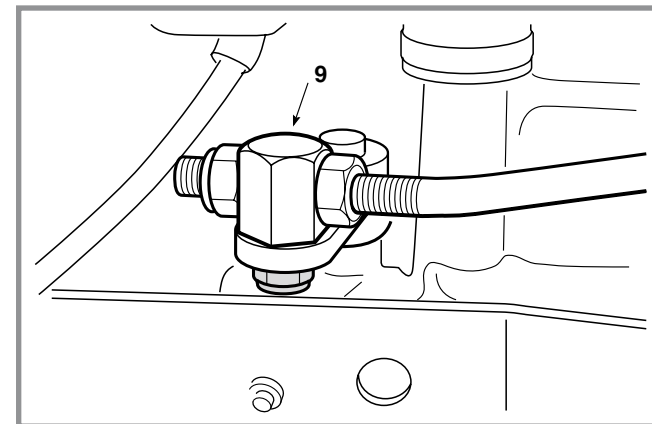
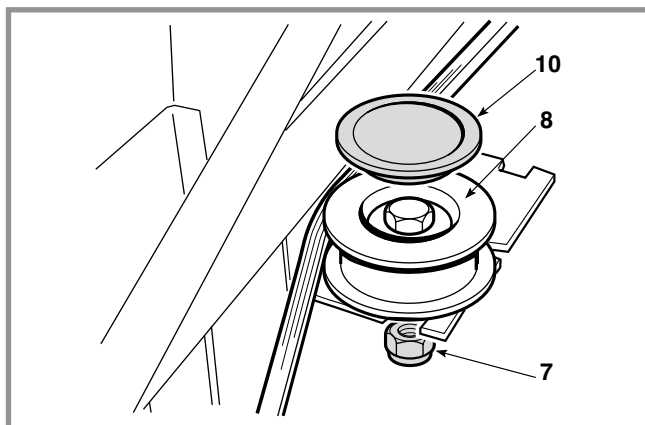
- ☛ Dismantle the engine pulley
- ☛ Remove the collector channel.

It is advisable to slacken the transmission belt to work on the parts involved more easily. This is done by slackening the stretcher.

Dismantle the drive pulley (1) and the stretcher pulley (2), fixed by nuts (3) and (4) respectively, and slacken the belt guide (5) enough to free the belt (6).



Slacken off the fixing nuts (7) of both small wheels (8) and remove the pin (9) from the brake rod to allow passage of the belt.



On reassembly ensure the exact positioning of the belt (6) with respect to the pulleys, the small side wheels and the containment guides [see 8.2.4], with special reference to its passage through the belt guide fork (5).

Always refit the dust covers (10) of the wheels (8).

When assembly is completed ...

- ☛ Refit the engine pulley.
- ☛ Adjust the drive engagement.
- ☛ Refit the collector channel.
- ☛ Tighten the spring of the stretcher.

REPLACEMENT OF THE SMALL WHEELS FOR THE DRIVE BELT

CHAPTER	REVISION	FROM ...	PAGE
6.5	0	2018	1 of 1

Validity



General informations

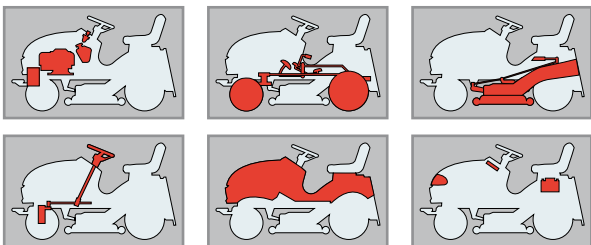
Related topics

- [🔧 4.3] Drive belt adjustment
- [🔧 5.3] Removal of the collector channel
- [🔧 8.2] Belts assembly

Tightening torques

2 Nuts for small wheels 25 ÷ 30 Nm

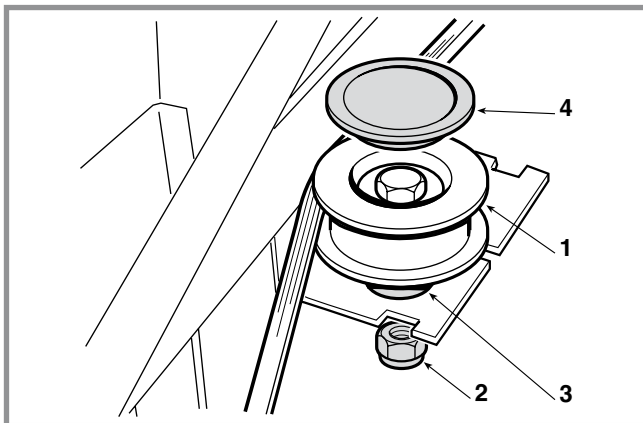
Map of functional units



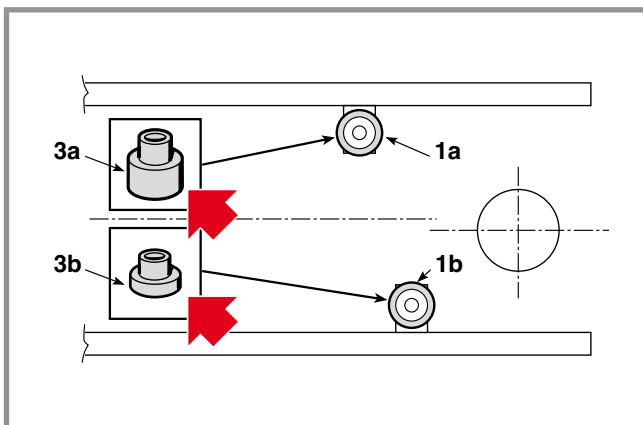
🔧 Remove the collector channel.

It is advisable to slacken the transmission belt to work on the parts involved more easily. This is done by slackening the stretcher.

The small side wheels (1), are fixed to the frame by a nut (2), with a spacer (3) between which is of different height, (3a) or (3b), depending on the assembly position.



When reassembling, you should bear in mind that the tall spacer (3a) must be fitted under the small right wheel (1a) and the low one (3b) under the left wheel (1b).



Always refit the dust covers (4) of the wheels (1).

Once assembly is completed ...

- 🔧 Adjust the drive engagement.
- 🔧 Refit the collector channel.
- 🔧 Tighten the spring of the stretcher.

REPLACEMENT OF THE BLADES
CONTROL BELT

CHAPTER	REVISION	FROM ...	PAGE
6.6	0	2018	1 of 1

Validity



General informations

Related topics

[\[🔧 4.1\]](#) Adjusting the engagement and checking the blade brake

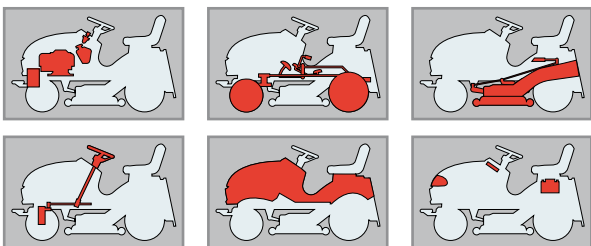
[\[🔧 8.2\]](#) Belts assembly

Tightening torques

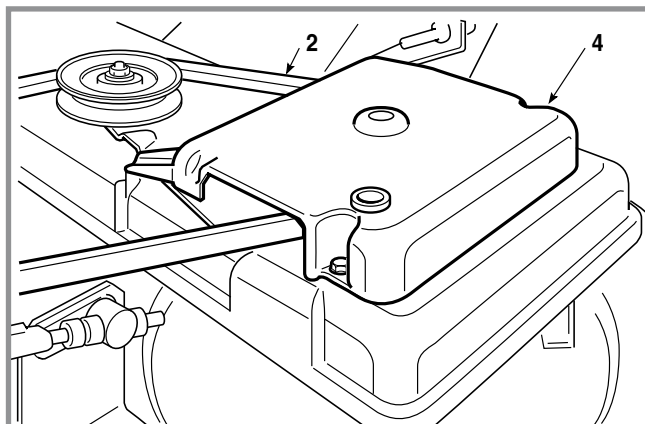
5 Nut for idle pulley 20 ÷ 25 Nm

9 Screw for pulley 20 ÷ 25 Nm

Map of functional units

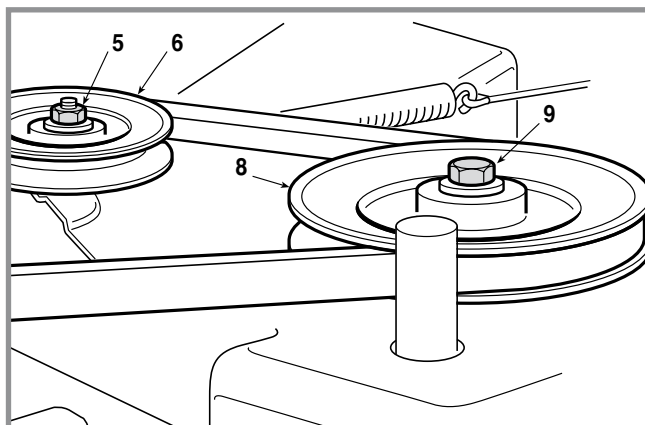


Tug at a section of the belt (2) to free it from the pulley.



Set the cutting deck to the lowest position to obtain greater access, then dismantle the upper casing (4) and almost totally undo the nut (5) without dismantling the jockey pulley (6) so that the belt can be removed.

Keeping the blade locked, undo the screw (9) and dismantle the control pulley (8) to remove the belt.



On reassembly, ensure that the belt is positioned perfectly in line with respect to the pins and rims.

When it has been reassembled, it is a good idea to

🔧 Check the blade engagement adjustment.

REPLACEMENT OF THE
BLADES CONNECTION BELT

CHAPTER	REVISION	FROM ...	PAGE
6.7	0	2018	1 of 2

Validity



General informations

Related topics

[🔧 2.2] Special tools

[🔧 4.1] Adjusting the engagement and checking the blade brake

[🔧 8.2] Belts assembly

Tightening torques

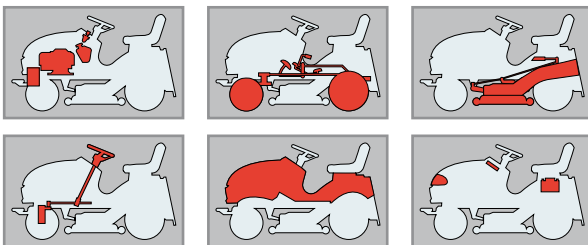
4 Blade pulley screws 20 ÷ 25 Nm

6 Stretcher plate articulation screw ... 35 ÷ 40 Nm

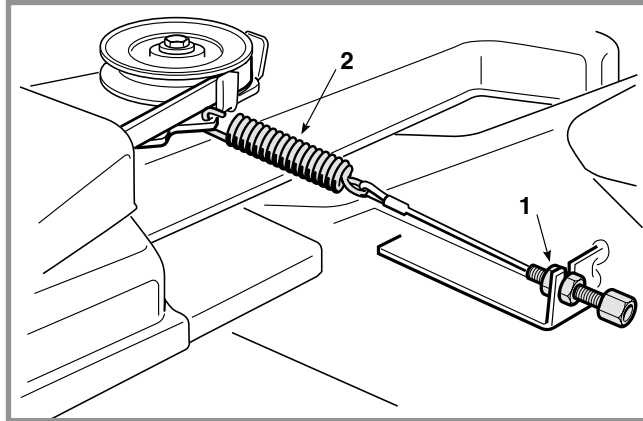
11-12 Pin fixing nuts 30 ÷ 35 Nm

13-14 Pulley fixing nuts 30 ÷ 35 Nm

Map of functional units

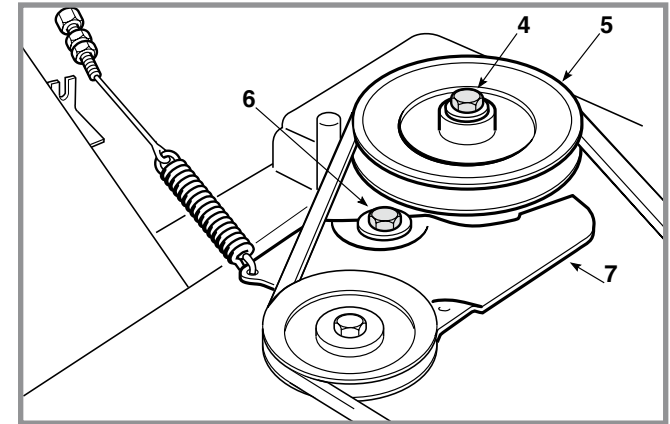
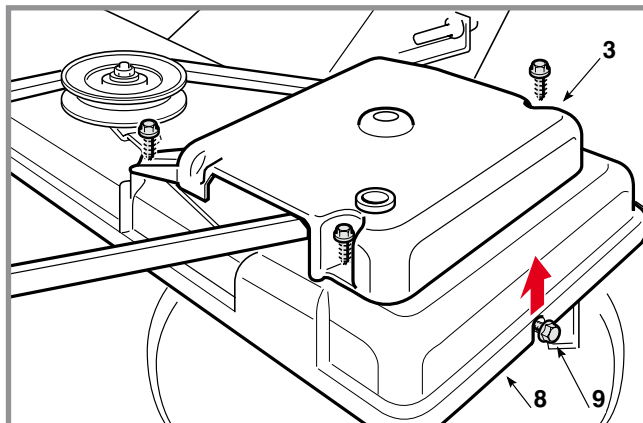


Set the cutting deck to the lowest position to obtain greater access, then slacken off and uncouple the adjuster (1) to unload the spring (2) .



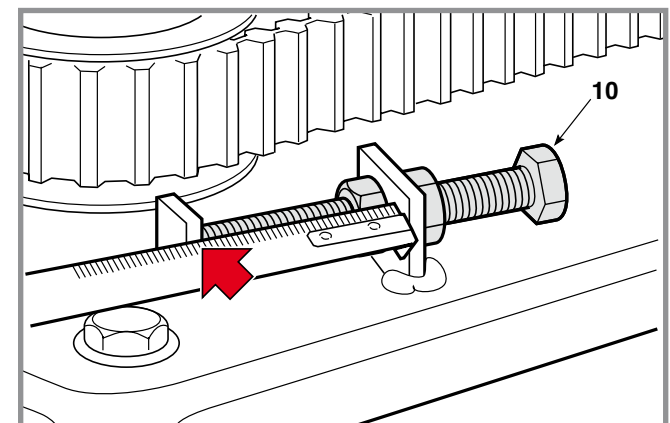
Dismantle the upper casing (3), undo screw (4) and dismantle the control pulley (5); undo the articulation screw (6) and remove the stretcher plate (7).

Remove the protection casing (8), slackening off the six surround screws (9) and extract it from its slots.

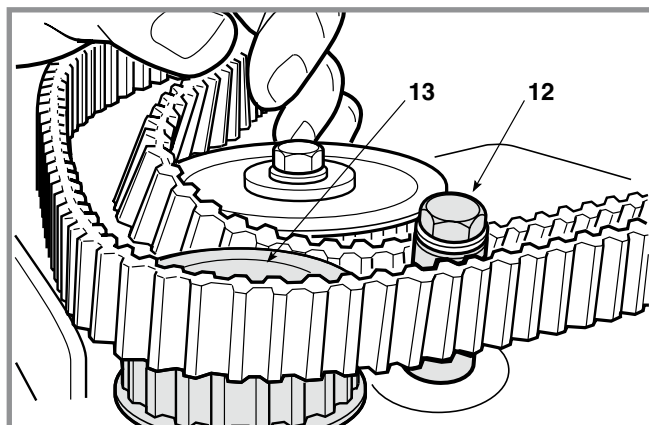
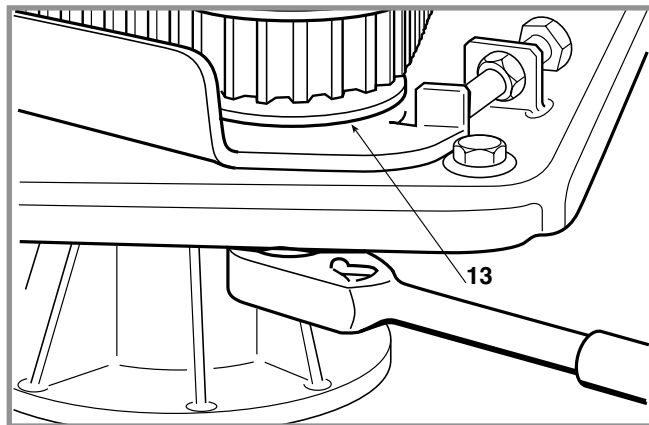
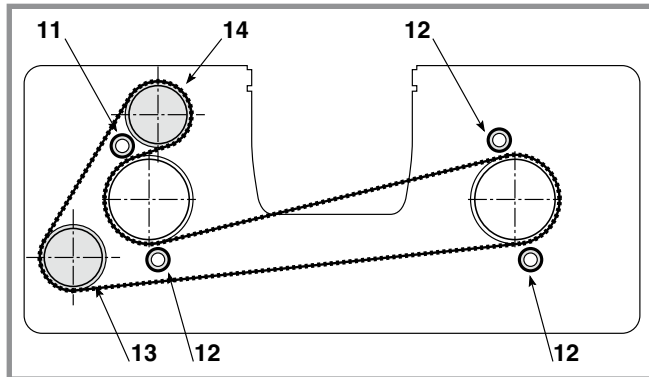


Record the reading on the adjuster (10) (this must be reset at reassembly to give a preliminary belt adjustment) and slacken it off completely.

Dismantle the pin (11), slacken off the fixing nuts of the three pins (12) and the pulleys (13) and (14) to allow removal of the belt.



Fit the new belt so that, when the two long sections are held taut, the two blades are at 90° to each other.



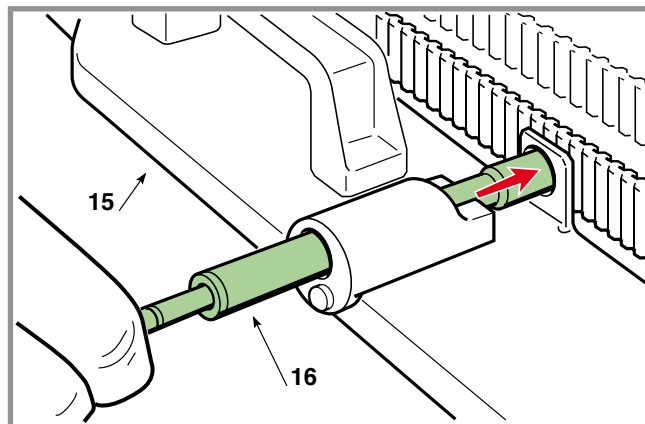
REPLACEMENT OF THE BLADES CONNECTION BELT

Refit everything by reversing the operations described above. Reset the adjuster reading recorded previously and check that the blades are at 90° to each other before locking the pin (11) and pulleys (13) and (14).

IMPORTANT On reassembly, check that the washer under the pin (11) is not damaged and that the outer pin rollers run freely.

Use the specific tool (15) to check the piston (16) for the belt give values and the force applied, and use the stretcher until a give of 9 ÷ 10 mm is obtained, exerting a force of:

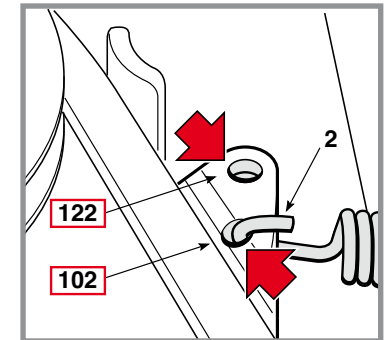
- 3,5 kg mod. 102
- 4,2 kg mod. 122



Reassemble the casing, stretcher and blades control belt, taking care over their exact positioning with respect to the pins and containment guides.

CHAPTER	REVISION	FROM ...	PAGE
6.7	0	2018	2 of 2

When refitting the spring (2), make sure that it is connected to the hole provided for each model.



Finally, when reassembly is complete, it is advisable to ...

☛ Check the adjustment of the blades engagement.

REPLACEMENT OF THE SUPPORTS AND SHAFTS OF THE BLADES

Validity



General informations

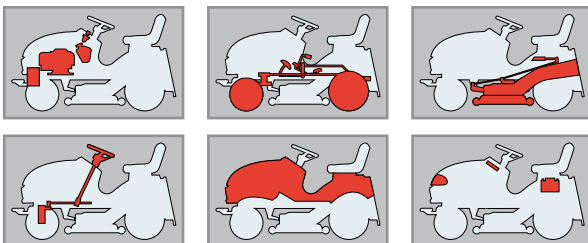
Related topics

- [🔧 2.2] Special tools
- [🔧 4.9] Removing, sharpening and balancing the blades
- [🔧 5.7] Removal of the cutting deck
- [🔧 6.6] Replacement of the blades control belt
- [🔧 6.7] Replacement of the blades connection belt

Tightening torques

2 Plate fixing screws	30 ÷ 35 Nm
5 Flanged support fixing nuts	25 ÷ 30 Nm

Map of functional units



🔧 Remove the cutting deck.

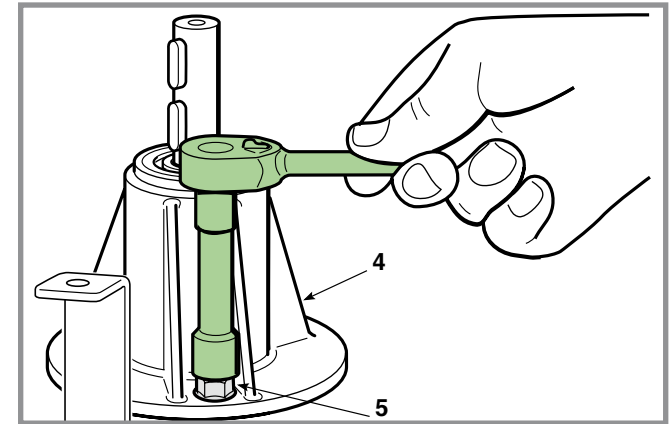
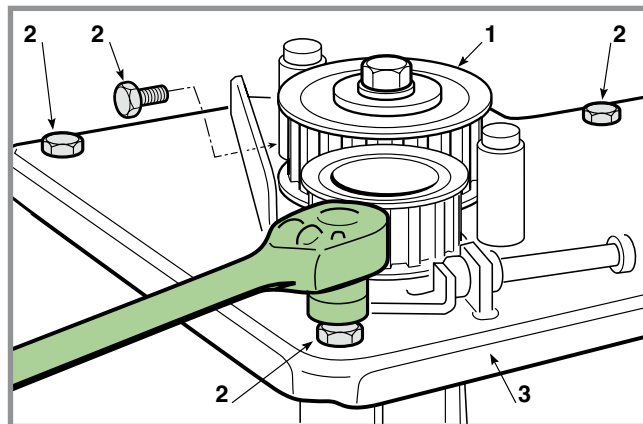
NOTE This operation is not strictly necessary since, with a little practice and experience, it is possible to dismantle the deck supports without removing the cutting deck.

🔧 Remove the blade control belt.

🔧 Remove the blade connection belt.

🔧 Remove the blades and take off the hubs.

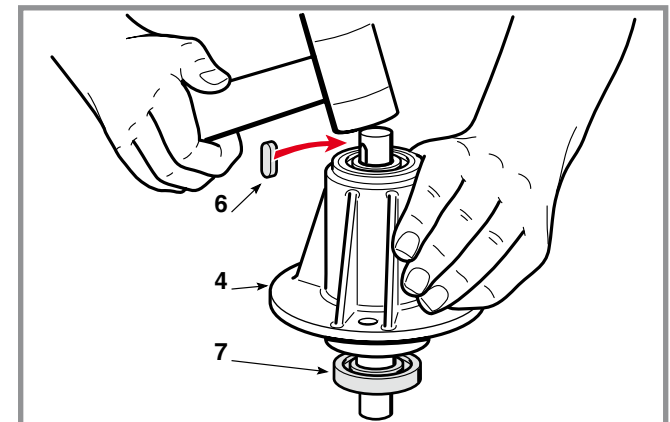
Extract the two toothed pulleys (1) from the blade shafts, undo the seven screws (2) fixing the plate (3) and remove it.



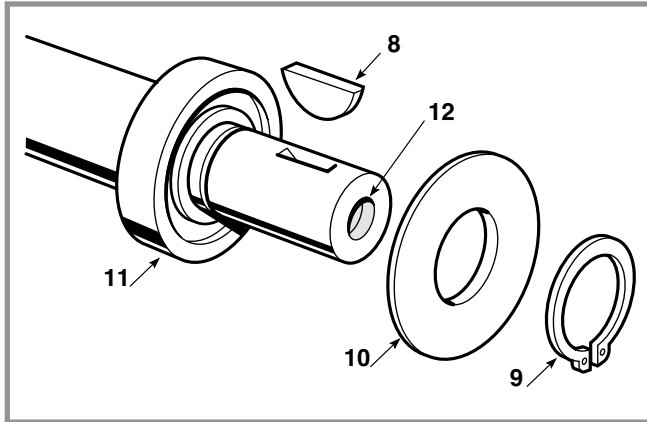
Dismantle the flanged support (4) by unscrewing the three fixing screws (5).

The entire support (4), including shafts and bearings, is a spare part available as a single assembly unit.

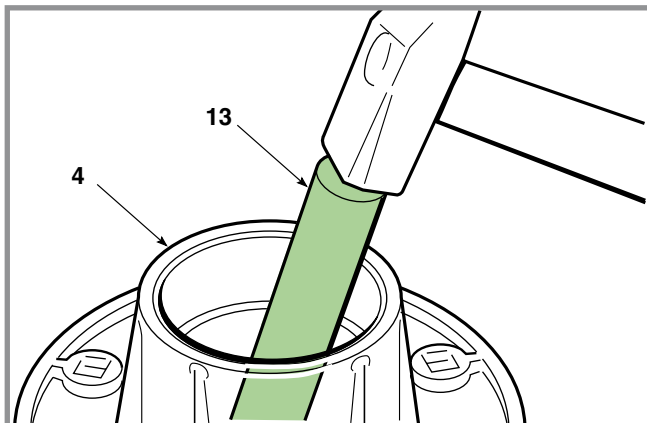
If only the shaft or bearings are to be replaced, remove the key or the two keys (6) and hit the shaft on the pulley side with a plastic mallet to extract the shaft together with the lower bearing (7).



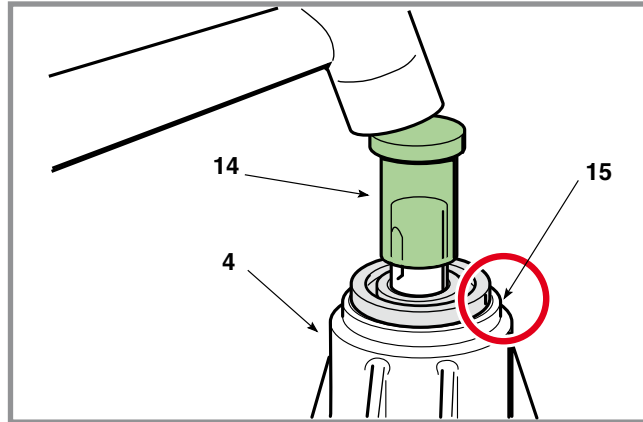
After having removed the key (8), the snap ring (9) and the dust cover (10), the bearing (11) splined onto the shaft can be removed using a normal extractor, being careful to close the threaded hole (12) with a suitable screw to prevent the tip of the extractor from damaging the thread.



The second bearing still in place must be removed by hitting it from the inside of the flange using a 12 ÷ 15 mm diameter round bar (13).



On reassembly, having first inserted the shaft in the lower bearing hole and inserted everything into the support, fit the upper bearing using the specific stopper (14) that acts on the inner ring, hitting it squarely with a mallet until the bearing is fully driven home.



NOTE Refit the flanged supports onto the deck, fully tightening the nuts (5) and **checking that the support with the longer shaft is on the left.**

IMPORTANT When refitting the plate (3), **the holes corresponding to the support axes must meet perfectly in the centring step (15) cut into the upper part of each support.**

- ☛ Reassemble the blades.
- ☛ Reassemble the blade connection belt.
- ☛ Reassemble the blade control belt.


Validity



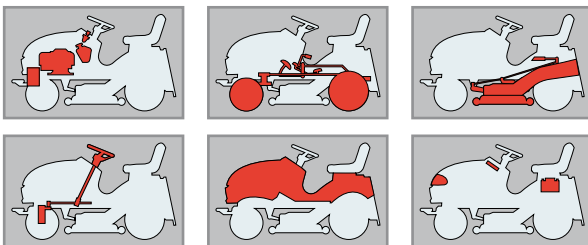
General informations

Related topics

[🔧 5.4]  Removal of the dashboard

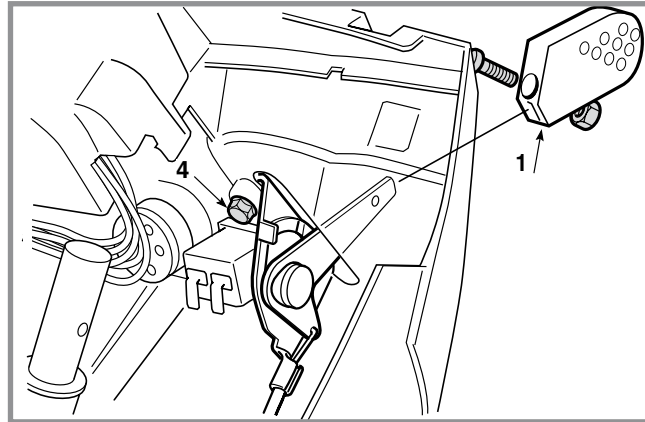
[🔧 5.4a]   Removal of the dashboard

Map of functional units



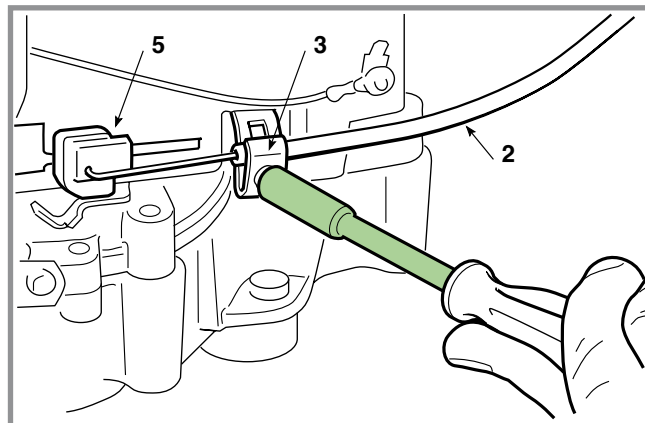
🔧 Remove the dashboard.

Take off the knob (1) and disconnect the cable (2) from the connection terminal (3) on the engine.



Undo the two fixing screws (4) and take out the accelerator together with the wire.

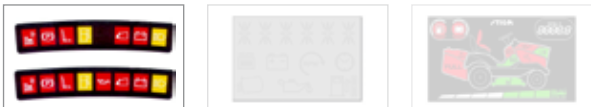
On reassembling, put the accelerator lever in the «MINIMUM» position, connect the end of the cable (2) to the terminal (3) on the engine after having moved the cursor (5) in the same «MINIMUM» position specific to each type of engine and shown in the instruction booklet.



When assembly is completed ...

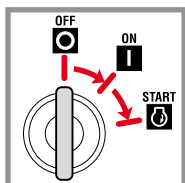
🔧 Refit the dashboard.

Validity



General informations

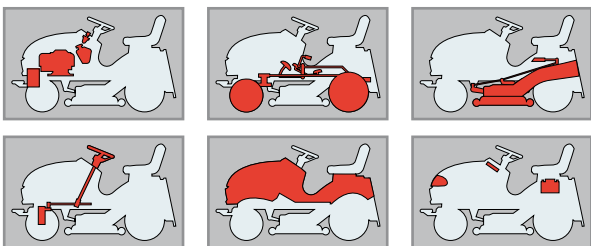
In the following some of the problems connected to the malfunctioning of the electrical system are shown, with their probable cause and the remedial action to be taken. Should the problem continue after the appropriate checks, seek assistance from your local Service Centre.



Related topics

- [7.2](#) Ttable for the cutting in of the safety devices
- [7.3](#) Safety microswitches operation check
- [7.6](#) Starter relay operation check
- [7.21](#) Recharge circuit check
- [7.22](#) Maintenance of the sealed battery

Map of functional units



PROBLEM	CAUSE	REMEDY	
1. Activation of the self-resetting protection 1)	a) ... on inserting the key in position «ON»	Battery terminal crossed Short circuit to earth	Check the battery connections Check the connectors and wiring of the microswitches
	b) ... in position «START» or after a few seconds use, following an attempt at starting with outside means:	Sulphated battery (it no longer accepts recharging)	Replace the battery
		Faulty or wet electronic card	Check and dry with low pressure tepid air (hair-dryer)
		Disconnected or missing battery	Reconnect the battery. It must always be connected
		Battery terminals corroded or with poor contact	Check and clean the connections
	c) ... after several minutes' use:	Poor or missing earth contact on the charge regulator	Check the earth connections and the screws fastening the regulator
		Overtoltage from a malfunction in the regulator	Check the recharge circuit
	2. The dashboard remains off with the key in position «ON»	Battery disconnected or faulty during use	Check the battery or wiring
		The battery is not supplying the card	Check the connection cables Check the battery's condition
		Battery or card not earthed to frame	Check and put right
10 A fuse blown		Replace fuse (10 A)	
Battery terminal crossed		Check connections	

! WARNING! The self-setting guard reaches very high temperatures (around 180 °C) which are to be considered normal. Similarly, there might be some smoke inside the box which is due to the overheating of the powder inside. **Do not touch this component of the circuit board until it has cooled down.**

1) The cutting in of the self-resetting protection of the electronic card is signalled by a beep, except in cases where the battery is missing, flat or with the terminal crossed. The signal stops when the key is returned to position «OFF»; then wait a few seconds before returning to position «ON».

IMPORTANT Faulty electronic cards must always be replaced without trying to repair them or replace single components.

PROBLEM	CAUSE	REMEDY
3. The dashboard switches on but, with the key in position «START», the starter does not turn or lacks power (poor starting)	The battery is not supplying sufficient current	Recharge the battery
	Badly earthed battery, or the starter relay or engine not earthed	Check and put right
	Starting not permitted	After checking that the conditions are met, check all the microswitches and the relative wiring
	Malfunction in the electronic card	Try replacing the card with one that is known to work
	Starter relay is faulty	Check that the starter relay is activated
4. The starter turns but the engine does not start	No fuel flow	Check the leads for the carburettor solenoid valve opening control (if provided) or check the fuel stopcock and filter
	Impaired starter system	Check that the spark plug cap is positioned correctly Check that the spark plug electrodes are clean and have the correct gap
5. The starter continues to turn after engine has started, and does not stop when the key is removed	Mechanical difficulties with the contact breakers of the starter relay	Replace the starter relay
	Starter works erratically for mechanical or electrical reasons taking excessive current and causing binding of relay contacts	Check the starter
6. The starter operates as soon as the key is in the «ON» position, and can be turned off only by removing the key	Fault in the card	Replace the card
	Starter block operating faults	Replace the block
7. The battery warning light does not come on with the key in position «ON» but the machine operates	Fault in the electronic circuit or in the signalling LED	Replace the card (NOTE: You can finish the work in any case, but you need to replace the card)
8. The battery warning light remains on	Insufficient charge	Check that the charging cable has not detached
		Check that there are no current leakages caused by cables with damaged insulation
		Check the recharge circuit
	Charger fuse blown	Replace fuse (25 A) and check the recharge circuit

IMPORTANT Faulty electronic cards must always be replaced without trying to repair them or replace single components.

PROBLEM	CAUSE	REMEDY
9. Abnormal, uncontrolled lighting up of the LEDs or irregular card operation	Faulty or wet electronic card	Check and dry with low pressure tepid air (hair-dryer)
	Bad earthing of the electronic card	Check and put right
11. The 10 A fuse cuts in	The safety devices have cut in or are faulty	Check the operation of the microswitch operation and the relevant wiring
	Accidental detaching of an electrical wire	Check all wiring
	Starting of engine not permitted	After checking that the conditions are met, check all the microswitches and the relative wiring.
11. The 10 A fuse cuts in	Short circuit or overload on the power side of the card (ignition block, starter relay, headlamps and recharger connector)	Find and replace the defective user
	Short circuit or damage to the electronic card protection (power side)	Try changing the card with one that is known to work. If the problem stops, replace the faulty card
12. The 25 A fuse cuts in	Faults in the battery charging circuit	Replace fuse (25 A) and check the recharge circuit
13. No audible signal for the “grass-catcher full” condition	Malfunctioning or faulty blade microswitches and grass-catcher signalling	Check the microswitches and wiring. WARNING! - Check that the blades microswitch stops the engine or prevents if from being started if the acknowledgement conditions are not met..
	Malfunctioning or faulty electronic card	Try changing the card with one that is known to work. If the problem stops, replace the faulty card

IMPORTANT Faulty electronic cards must always be replaced without trying to repair them or replace single components.

Validity

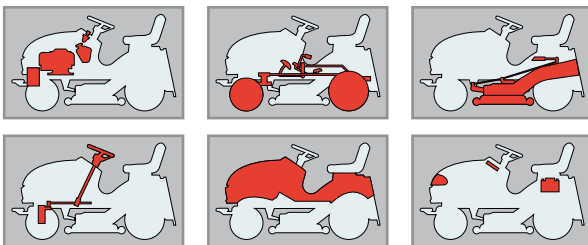


General informations

Related topics

[7.3] Safety microswitches operation check

Map of functional units



This table shows the various situations in which the safety devices intervene.

A) STARTING («START» position)

The engine DOES NOT start, when:

Operator	-/-	-/-	Absent
Grass-Catcher	-/-	-/-	-/-
Blades	-/-	Engaged	-/-
Drive	Engaged	-/-	-/-
Parking	-/-	-/-	-/-
Indication on the Dashboard			

B) WHILE CUTTING

The engine STOPS start, when:

Operator	Absent	Absent	-/-	-/-	Absent	Seated
Grass-Catcher	-/-	-/-	Missing	-/-	-/-	Fitted
Blades	-/-	Engaged	Engaged	Engaged	-/-	Engaged
Drive	Engaged	-/-	-/-	-/-	-/-	Reverse
Consent Button	-/-	-/-	-/-	-/-	-/-	Released
Parking	-/-	-/-	-/-	Engaged	-/-	-/-
Indication on the Dashboard						

-/- Irrelevant condition for the triggering of safety devices

= Pilot lamp on = Pilot lamp off = Pilot lamp uninfluential

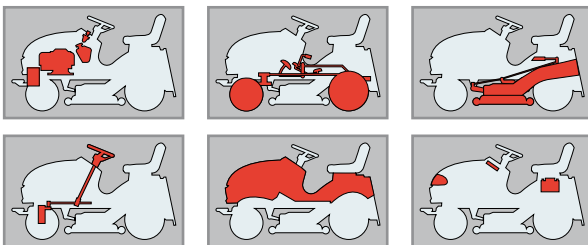
Validity



General informations

Related topics

Map of functional units



This check is made by detaching all the connectors and by using the tester in the Ohm-meter function. This operation must be performed without the operator aboard, making contact with the ferrules on the contacts of the wiring connector (1) and must give these results:

No. of Contacts	Tester reading and condition		
GRASS-CATCHER ATTACHED MICROSWITCH			
6 - 7	∞ (without g.catc)	O (with g.catcher)	
OPERATOR PRESENCE			
6 - 3	∞ (absent)	O (seated)	
PARKING MICROSWITCH			
6 - 2	O (free)	∞ (engaged)	
BLADES SWITCH			
6 - 1	∞ (engaged)	O (disengaged)	
"IN NEUTRAL" SIGNAL			
17 - 8	O (drive)	∞ (neutral)	
GRASS-CATCHER FULL MICROSWITCH			
17 - 9	∞ (empty)	O (full)	
FUEL WARNING LIGHT			
6 - 4	O (reserve)	∞ (full)	
OIL PRESSURE WARNING LIGHT			
17 - 16	O (always)		
IGNITION KEY			
+ Battery - 18	∞ (OFF)	O (ON)	O (START)
+ Battery - 15	∞ (OFF)	∞ (ON)	O (START)

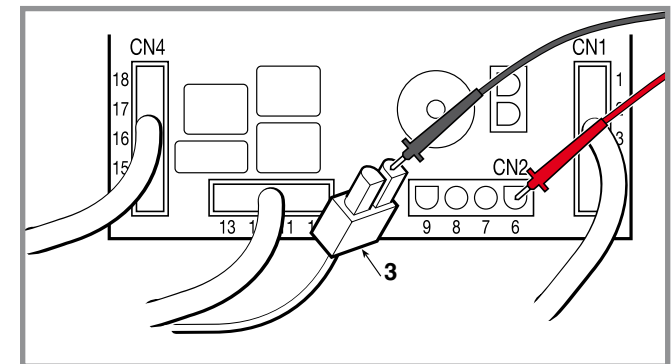
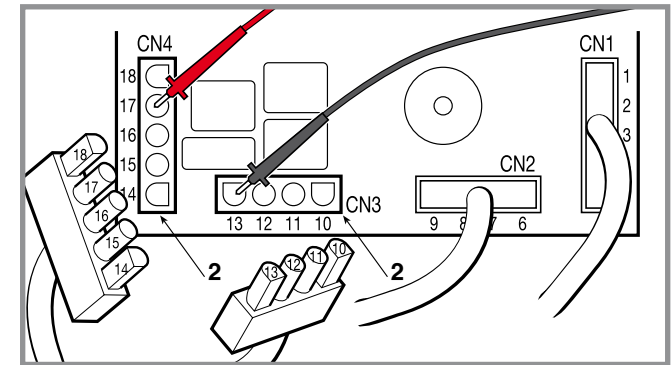
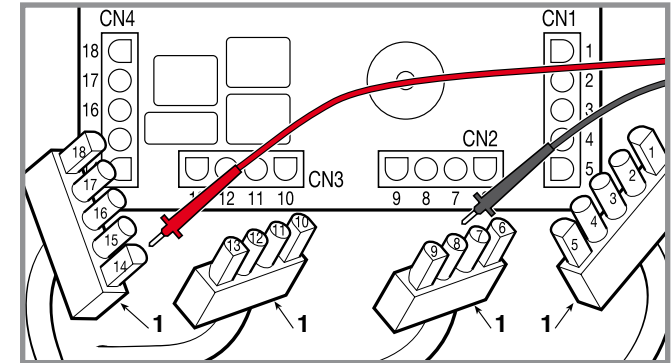
Engine Stop

This operation must be done making contact with the ferrules on the contacts of connector CN3 and CN4 (2) of the card, keeping all other connectors connected, and must give this result:

No. of Contacts	Tester reading and condition
17 - 13	O (Always)

Reverse Consent

This check is made by detaching all the connector (3). The following results must be achieved using the Ohm-meter function tester with the probes in contact with the contacts of circuit board connector (3) and the contact «6-CN2» of the card:



No. of Contacts	Tester reading and condition	
REVERSE CONSENT BUTTON		
6 (CN2) - 3 violet	∞ (released)	O (pressed)
REVERSE GEAR MICROSWITCH		
6 (CN2) - 3 bleu	O (free)	∞ (pressed)

TERMINAL BOARD SUPPLY CHECK

CHAPTER	REVISION	FROM ...	PAGE
7.4	0	2018	1 of 1

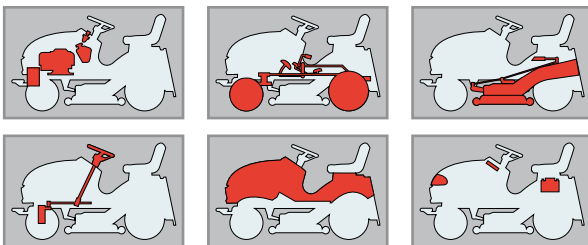
Validity



General informations

Related topics

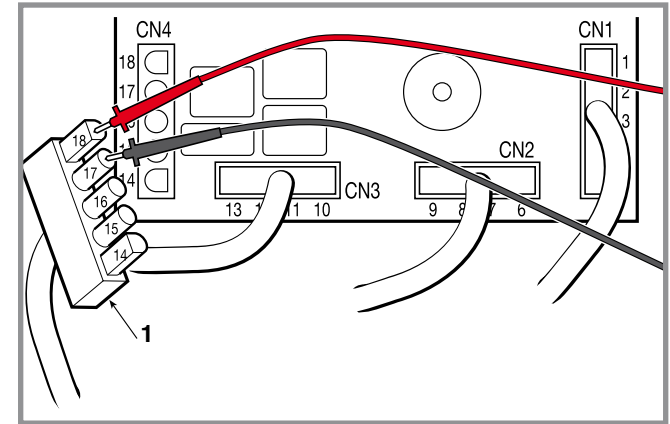
Map of functional units



This check is made with the tester operating as a Voltmeter (Volts DC 0 ÷ 20), with the black ferrule on terminal 17 and the red one on terminal 18 of the CN4 connector (1) of the wiring.

- The key in the «ON» position

The reading shows the battery voltage, which should never go below 11 Volts.



**CARBURETTOR SOLENOID VALVE
OPERATION CHECK**

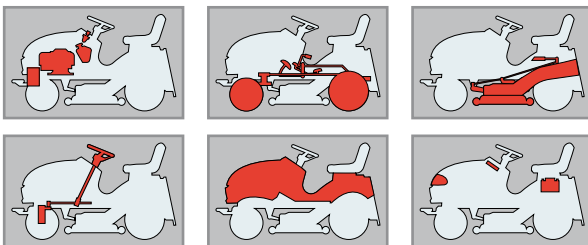
Validity



General informations

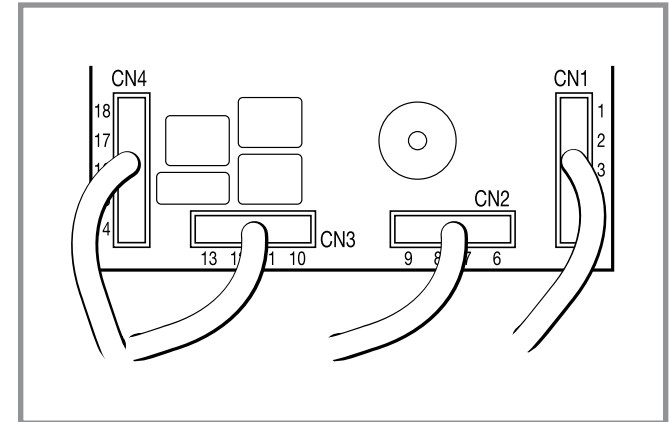
Related topics

Map of functional units



All the connectors must be connected to make this check.

When the key is set to «ON», a click must be heard from the carburettor solenoid valve coil.



STARTER RELAY OPERATION CHECK

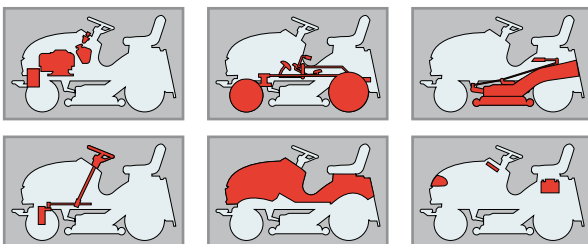
Validity



General informations

Related topics

Map of functional units



⚠ WARNING! Remove the cap of the sparking plug (or plugs), since the safety systems that normally prevent accidental starting of the engine are cut out when the checking procedure is carried out.

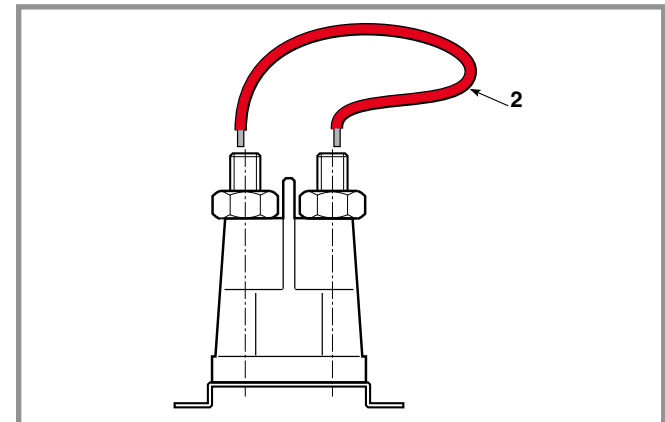
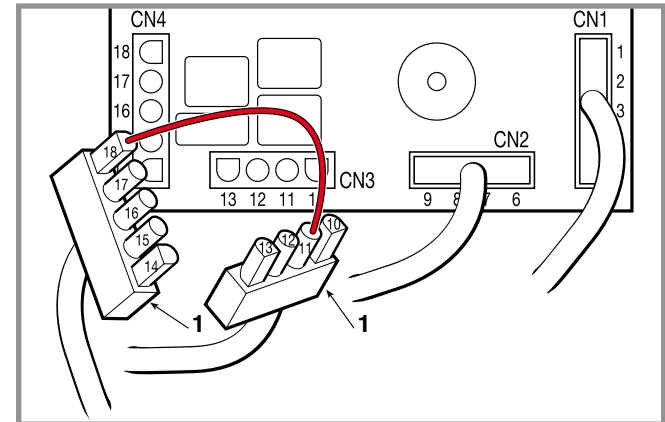
To do this requires:

- operator seated;
- blades disengaged;
- connectors CN1 and CN2 disconnected (1);
- the key in the «ON» position.

In making a bridge between the terminals 11 (CN3) and 18 (CN4) of the wiring connectors (1), the click of the relay bobbin should be heard and the starter motor should come into action.

.....
 ➤ **except Honda engines:**
 • If the bobbin clicks but the starter does not start, make a bridge (2) with a large section cable (5 mm²) between the power contacts of the relay.

If the starter comes into operation, look for the fault within the relay or replace it. Otherwise, check the starter together with its wiring.



ELECTROMAGNETIC CLUTCH OPERATION CHECK

Validity



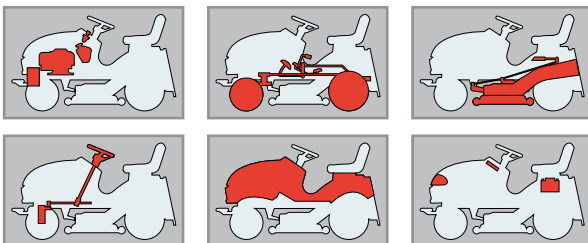
General informations

Related topics

[\[7.3\]](#) Safety microswitches operation check

[\[7.8\]](#) Electronic card operation check

Map of functional units



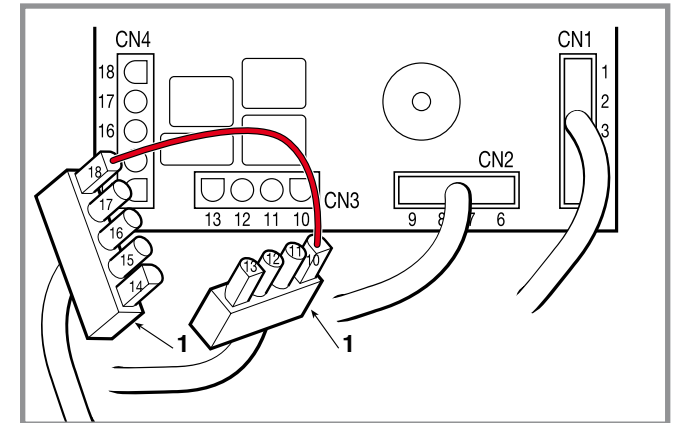
To make this test it is necessary to have:

- Connectors CN1 and CN2 disconnected (1)
- The key in the «ON» position

When bridging between terminals 10 (CN3) and 18 (CN4) of the cabling connectors (1), a click must be heard from the moving part of the clutch, due to excitation of the electric winding.

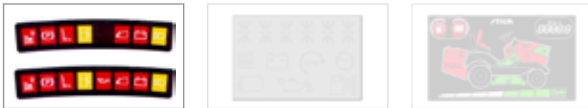
If this does not occur, check the wiring and the operation of the control push-button and ensure that the card is operating correctly.

The clutch must be replaced if engagement does not take place after these checks.



ELECTRONIC CARD OPERATION CHECK

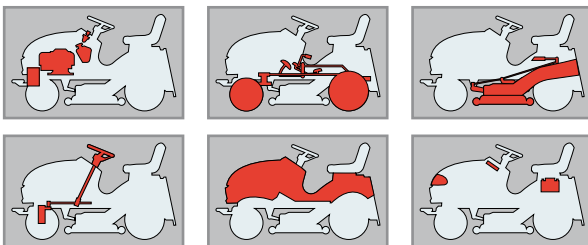
Validity



General informations

Related topics

Map of functional units



A) Card power supply

To make this test it is necessary to have:

- The key in the «ON» position
- Connectors CN1 and CN2 disconnected (1)

In this situation all the indicator lights (excluding the petrol and oil ones – if active) and the battery indicator, if in good charge conditions, should light up.

B) Pilot lamps switch-on test

Making a bridge between the following terminals of connectors CN1 and CN2 of the card (2) should produce the following effects:

Gr.-catcher warning light	= Terminals 6 - 7	off
Seat warning light	= Terminals 6 - 3	off
Brake warning light	= Terminals 6 - 2	off
Blades warning light	= Terminals 6 - 1	off
Fuel warning light	= Terminals 6 - 4	on
“Neutral” warning light	= Earth - 8	off

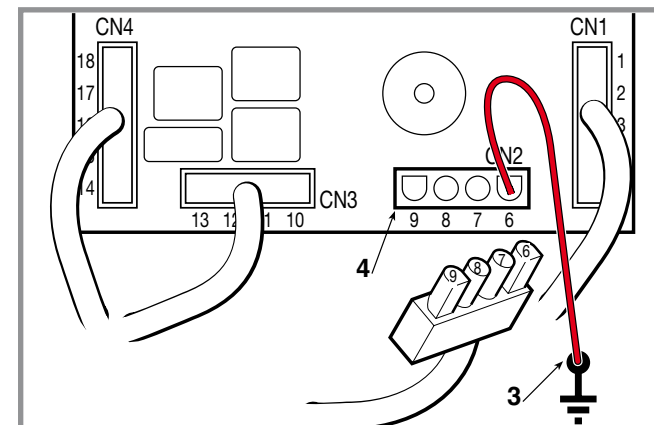
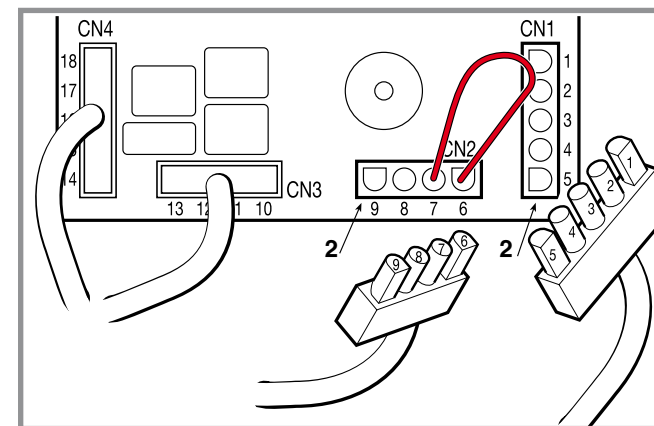
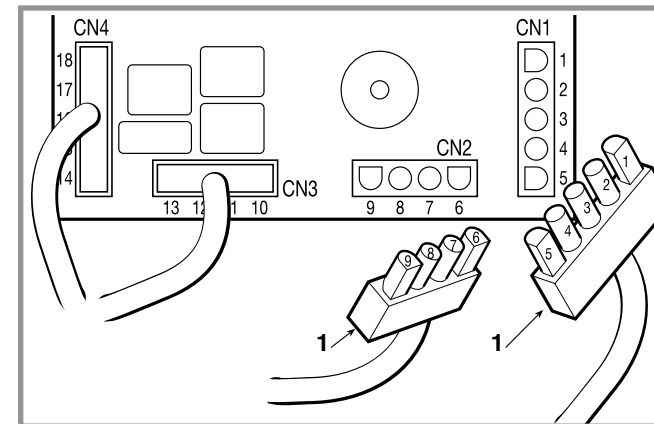
C) Self-resetting protection operation check

For this test, put everything in the same situation as in point «A».

On connecting terminal 6 of connector CN2 of the card (4) to the frame earth (3), everything should switch off and the warning buzzer should start operating.

IMPORTANT During this test, the self-setting protection reaches very high temperatures (around 180 °C) which are to be considered normal. Similarly, there might be some smoke inside the transparent box which is due to the overheating of the powder inside.

⚠ WARNING! Do not touch this component of the card until it has cooled down.

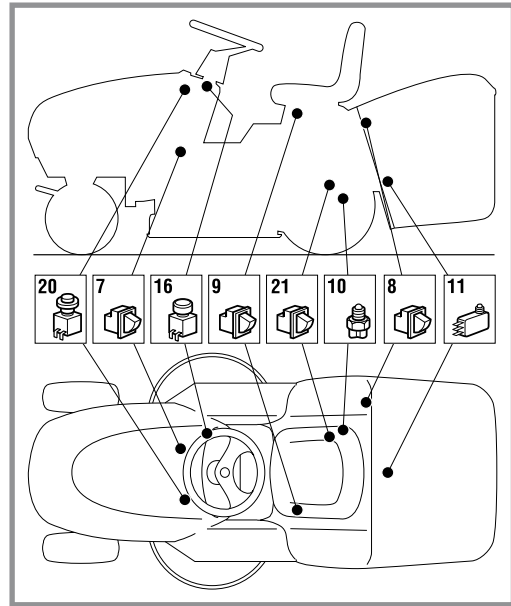


Validity

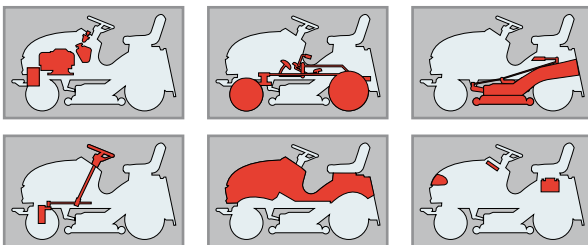


General informations

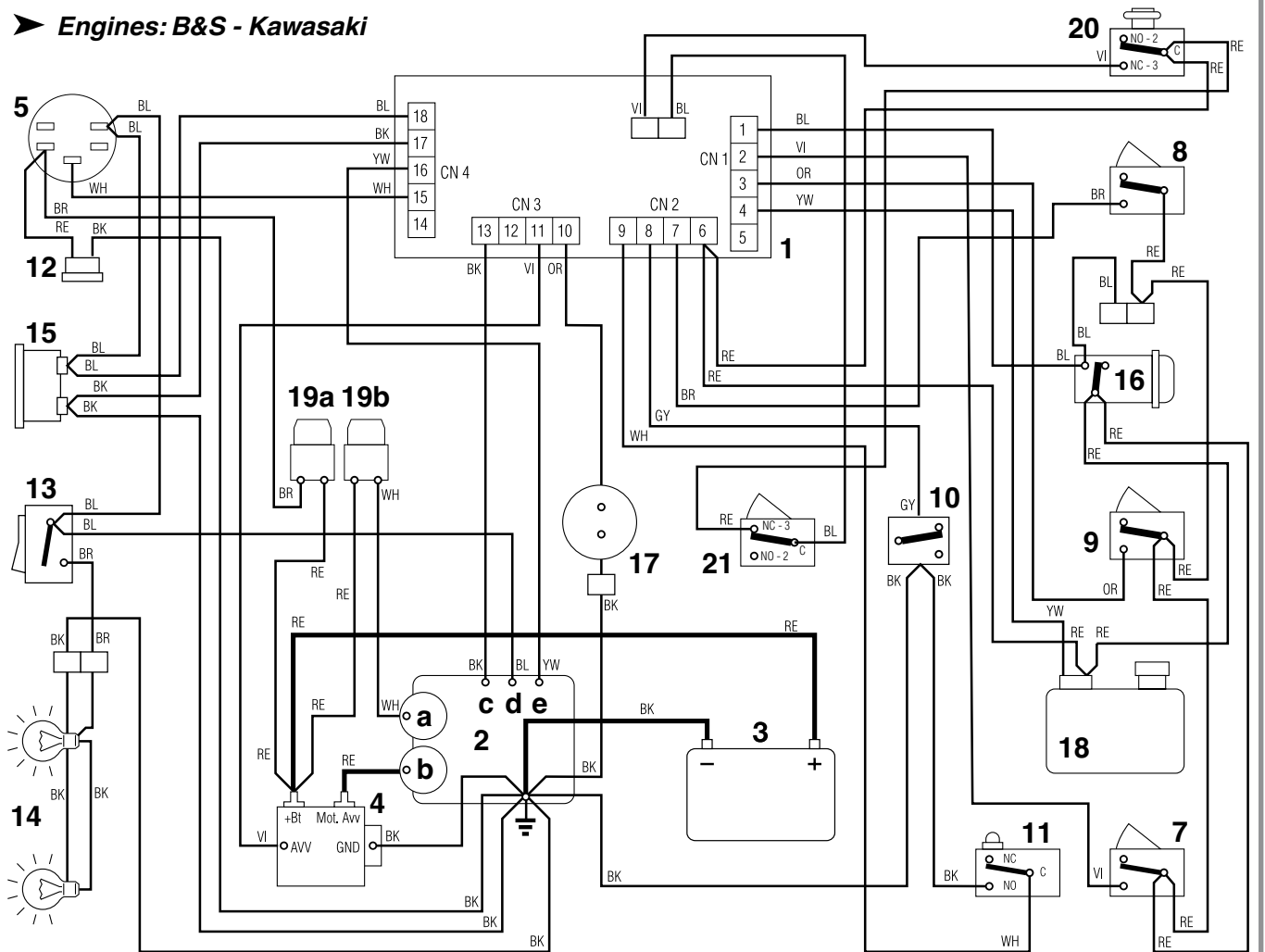
Related topics



Map of functional units



Engines: B&S - Kawasaki



- | | | | |
|----|------------------------------|-----|--------------------------------|
| 1 | Electronic card | 10 | Neutral microswitch |
| 2 | Engine | 11 | Grass-catcher full microswitch |
| 2a | Generator | 12 | Recharge connector |
| 2b | Starter | 13 | Lights switch |
| 2c | Engine stop | 14 | Light |
| 2d | Carburettor | 15 | Hour counter |
| 2e | Oil | 16 | Clutch switch |
| 3 | Battery | 17 | Clutch |
| 4 | Starter relay | 18 | Fuel tank |
| 5 | Key ignition switch | 19a | 10 A Fuse |
| 7 | Brake microswitch | 19b | 25 A Fuse |
| 8 | Grasscatcher microswitch | 20 | Reverse consent button |
| 9 | Microswitch operator present | 21 | Reverse gear microswitch |

CABLE COLOURS

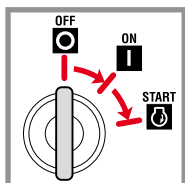
- | | |
|----|--------|
| BK | Black |
| BL | Blue |
| BR | Brown |
| GY | Grey |
| OR | Orange |
| RE | Red |
| VI | Violet |
| YW | Yellow |
| WH | White |

Validity



General informations

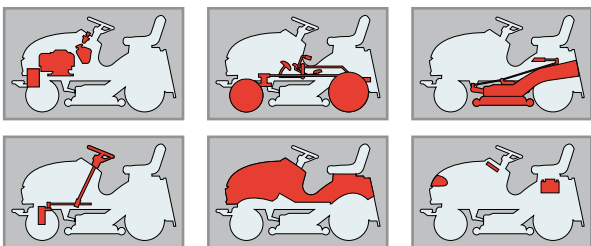
In the following some of the problems connected to the malfunctioning of the electrical system are shown, with their probable cause and the remedial action to be taken. Should the problem continue after the appropriate checks, seek assistance from your local Service Centre.



Related topics

- 7.12** Table for the cutting in of the safety devices
- 7.13** Safety microswitches operation check
- 7.16** Starter relay operation check
- 7.21** Recharge circuit check
- 7.22** Maintenance of the sealed battery

Map of functional units



PROBLEM	CAUSE	REMEDY
1. Activation of the self-resetting protection 1)		
a) on inserting the key in position «ON»	Battery terminal crossed	Check the battery connections
b) ... in the «START» position or after a few seconds of use, following an attempt at starting with outside means:	Sulphated battery (it no longer accepts recharging)	Replace the battery
	Faulty or electronic card	Check
	Disconnected or missing battery	Reconnect the battery. It must always be connected.
	Battery terminals corroded or with poor contact	Check and clean the connections
c) ... after several minutes' use:	Poor or missing earth contact on the charge regulator	Check the earth connections and the screws fastening the regulator
	Overtoltage from a malfunction in the regulator	Check the recharge circuit
2. The dashboard remains off with the key in position «ON»	Battery disconnected or faulty during use	Check the battery or wiring
	The battery is not supplying the card	Check the connection cables
		Check the battery's condition
	Battery or card not earthed to frame	Check and put right
	10 A fuse blown	Replace fuse (10 A)
Battery terminal crossed	Check connections	

! WARNING! The self-setting guard reaches very high temperatures (around 180 °C) which are to be considered normal. Similarly, there might be some smoke inside the box which is due to the overheating of the powder inside. **Do not touch this component of the circuit board until it has cooled down.**

1) The cutting in of the self-resetting protection of the electronic card is signalled by a beep, except in cases where the battery is missing, flat or with the terminal crossed. The signal stops when the key is returned to position «OFF»; then wait a few seconds before returning to position «ON».

IMPORTANT Faulty electronic cards must always be replaced without trying to repair them or replace single components.

PROBLEM	CAUSE	REMEDY
3. The dashboard switches on but, with the key in position «START», the starter does not turn or lacks power (poor starting)	The battery is not supplying sufficient current	Recharge the battery
	Badly earthed battery, or the starter relay or engine not earthed	Check and put right
	Starting not permitted	After checking that the conditions are met, check all the microswitches [see 7.3a] and the relative wiring
	Malfunction in the electronic card	Try replacing the card with one that is known to work
	Starter relay is faulty	Check that the starter relay is activated
4. The starter turns but the engine does not start	No fuel flow	Check the leads for the carburettor solenoid valve opening control (if provided) or check the fuel stopcock and filter.
	Impaired starter system	Check that the spark plug cap is positioned correctly Check that the spark plug electrodes are clean and have the correct gap
5. The starter continues to turn after engine has started, and does not stop when the key is removed	Mechanical difficulties with the contact breakers of the starter relay	Replace the starter relay
	Starter works erratically for mechanical or electrical reasons taking excessive current and causing binding of relay contacts	Check the starter
6. The starter operates as soon as the key is in the «ON» position, and can be turned off only by removing the key	Fault in the card	Replace the panel/board group
	Starter block operating faults	Replace the block
7. The battery warning light does not come on with the key in position «ON» but the machine operates	Fault in the electronic circuit or in the signalling LED	Replace the panel/board group (NOTE: it is possible to complete the work in any case, but the panel/board group must be replaced as soon as possible)
8. The battery warning light remains on	Insufficient charge	Check that the charging cable has not detached
		Check that there are no current leakages caused by cables with damaged insulation
	Charger fuse blown	Check the recharge circuit Replace fuse (25 A) and check the recharge circuit

IMPORTANT Faulty electronic cards must always be replaced without trying to repair them or replace single components.

PROBLEM	CAUSE	REMEDY
9. The battery indicator light is blinking	Recharge overvoltage	Check the recharge circuit
	Battery insufficiently charged at start-up	Recharge the battery
10. Abnormal, uncontrolled lighting up of the LEDs or irregular card operation	Faulty electronic card	Check
	Bad earthing of the electronic card	Check and put right
11. The engine stops while in use for reasons not due to the safety devices cutting in	The safety devices have cut in or are faulty	Check the operation of the microswitch operation and the relevant wiring
	Accidental detaching of an electrical wire	Check all wiring
	Starting of engine not permitted	After checking that the conditions are met, check all the microswitches and the relative wiring
12. The 10 A fuse cuts in	Short circuit or overload on the power side of the card (ignition block, starter relay, headlamps and recharger connector)	Find and replace the defective user
	Short circuit or damage to the electronic card protection (power side)	Replace the panel/board group with one that is known to work; if the problem does not reoccur replace the faulty group definitively
13. The 25 A fuse cuts in	Faults in the battery charging circuit	Replace fuse (25 A) and check the recharge circuit
14. No audible signal for the “grass-catcher full” condition”	Malfunctioning or faulty blade microswitches and grass-catcher signalling	Check the microswitches and wiring. WARNING! - Check that the blades microswitch stops the engine or prevents it from being started if the acknowledgement conditions are not met
	Malfunctioning or faulty electronic card	Replace the panel/board group with one that is known to work; if the problem does not reoccur replace the faulty group definitively
15. The clock does not keep time after the machine is switched off	Buffer battery flat	Replace

IMPORTANT Faulty electronic cards must always be replaced without trying to repair them or replace single components..

Validity

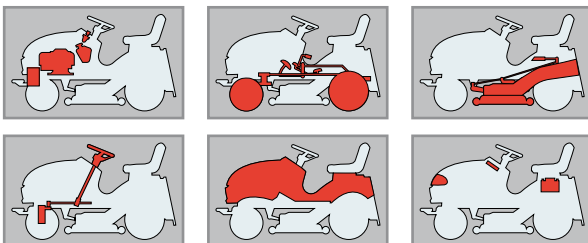


General informations

Related topics

[7.13](#) Safety microswitches operation check

Map of functional units



This table shows the various situations in which the safety devices intervene.

A) STARTING («START» position)

The engine DOES NOT start, when:

Operator	-/-	-/-	Absent
Grass-Catcher	-/-	-/-	-/-
Blades	-/-	Engaged	-/-
Drive	Engaged	-/-	-/-
Parking	-/-	-/-	-/-
Indication on the Dashboard			

B) WHILE CUTTING

The engine STOPS start, when:

Operator	Absent	Absent	-/-	-/-	Absent	Seated
Grass-Catcher	-/-	-/-	Missing	-/-	-/-	Fitted
Blades	-/-	Engaged	Engaged	Engaged	-/-	Engaged
Drive	Engaged	-/-	-/-	-/-	-/-	Reverse
Consent Button	-/-	-/-	-/-	-/-	-/-	Released
Parking	-/-	-/-	-/-	Engaged	-/-	-/-
Indication on the Dashboard						

-/- Irrelevant condition for the triggering of safety devices

= Pilot lamp on = Pilot lamp off = Pilot lamp uninfluential

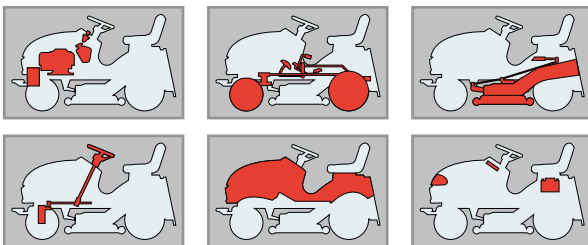
Validity



General informations

Related topics

Map of functional units



This check is done by disconnecting connector CN1 and using the tester in Ohmmeter mode. This operation must be performed without the operator aboard, making contact with the ferrules on the contacts of the wiring connector (1) and must give these results:

No. of Contacts	Tester reading and condition		
GRASS-CATCHER ATTACHED MICROSWITCH			
1 - 6	∞ (without g.catc)	O (with g.catcher)	
OPERATOR PRESENCE			
1 - 14	∞ (absent)	O (seated)	
PARKING MICROSWITCH			
1 - 17	O (free)	∞ (engaged)	
BLADES SWITCH			
1 - 16	∞ (engaged)	O (disengaged)	
"IN NEUTRAL" SIGNAL			
1 - 7	O (drive)	∞ (neutral)	
GRASS-CATCHER FULL MICROSWITCH			
1 - 13	∞ (empty)	O (full)	
FUEL LEVEL GAUGE (if present)			
1 - 5	O (reserve)	∞ (from 1/2 to full)	
1 - 8	O (full)	∞ (from reserve to 1/2)	
OIL WARNING LIGHT (if present)			
1 - 15	O (always)		
IGNITION KEY			
+ Battery - 11	∞ (OFF)	O (ON)	O (START)
+ Battery - 12	∞ (OFF)	∞ (ON)	O (START)

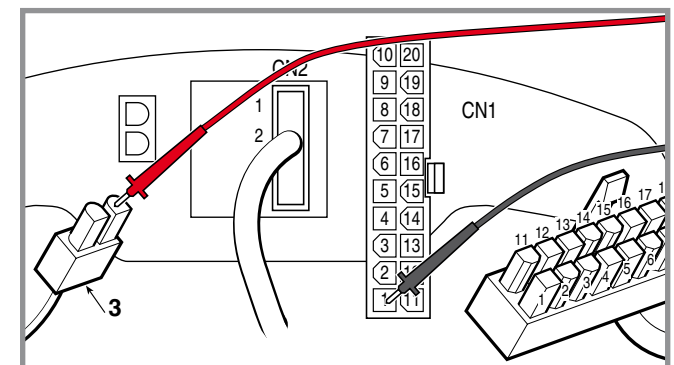
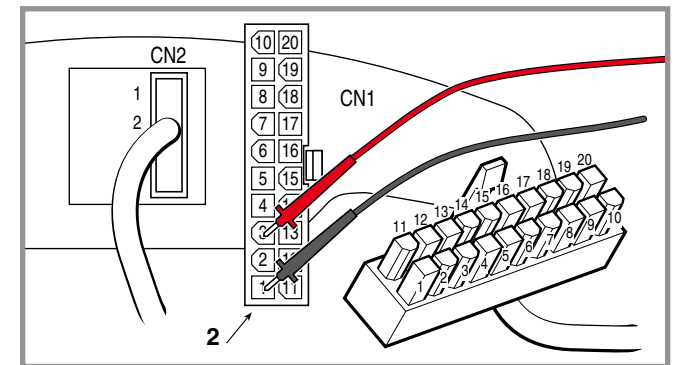
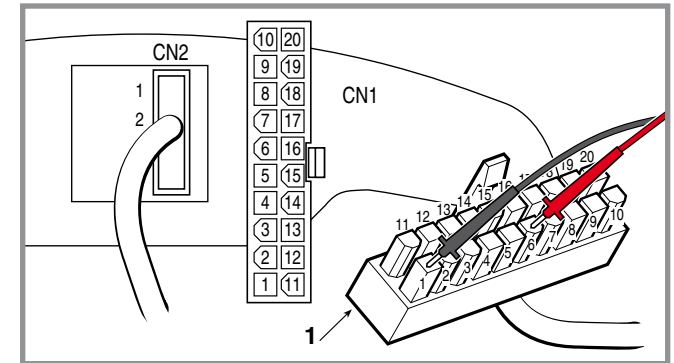
Engine Stop

This operation must be done making contact with the ferrules on the contacts of connector CN1 of the card, keeping all other connectors connected, and must give this result:

No. of Contacts	Tester reading and condition
1 - 3	O (Always)

Reverse Consent

This check is made by detaching all the connector (3). The following results must be achieved using the Ohm-meter function tester with the probes in contact with the contacts of circuit board connector (3) and the contact «1-CN1» of the card:



No. of Contacts	Tester reading and condition	
REVERSE CONSENT BUTTON		
1 (CN1) - 3 violet	∞ (released)	O (pressed)
REVERSE GEAR MICROSWITCH		
1 (CN1) - 3 bleu	O (free)	∞ (pressed)

TERMINAL BOARD SUPPLY CHECK

CHAPTER	REVISION	FROM ...	PAGE
7.14	0	2018	1 of 1

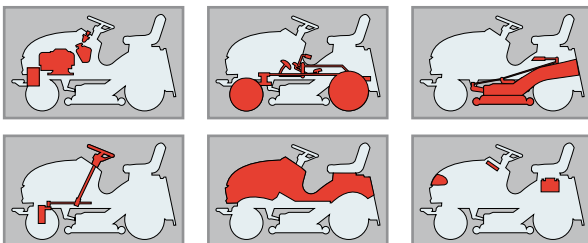
Validity



General informations

Related topics

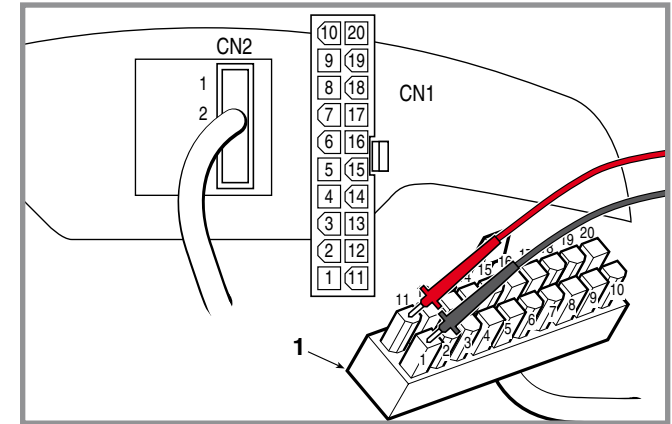
Map of functional units



This check is made with the tester operating as a Voltmeter (Volts DC 0 ÷ 20), with the black ferrule on terminal 1 and the red one on terminal 11 of the connector (1) of the wiring.

- The key in the «ON» position

The reading shows the battery voltage, which should never go below 11 Volts.



**CARBURETTOR SOLENOID VALVE
OPERATION CHECK**

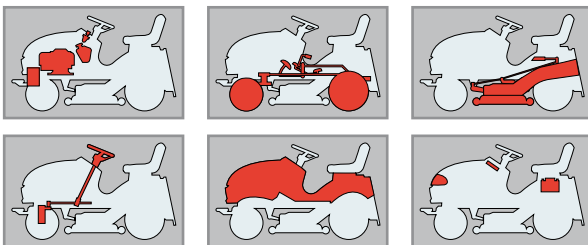
Validity



General informations

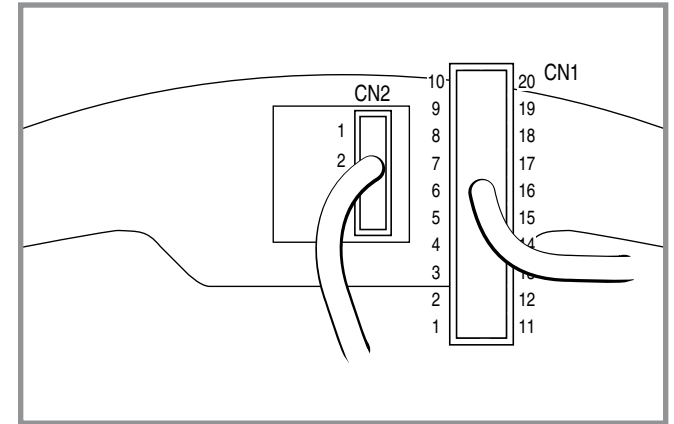
Related topics

Map of functional units



Connector CN1 must be connected to make this check.

When the key is set to «ON», a click must be heard from the carburettor solenoid valve coil.



Validity

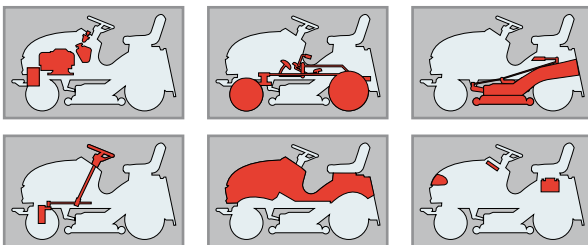


General informations

Related topics

[7.13](#) Safety microswitches operation check

Map of functional units



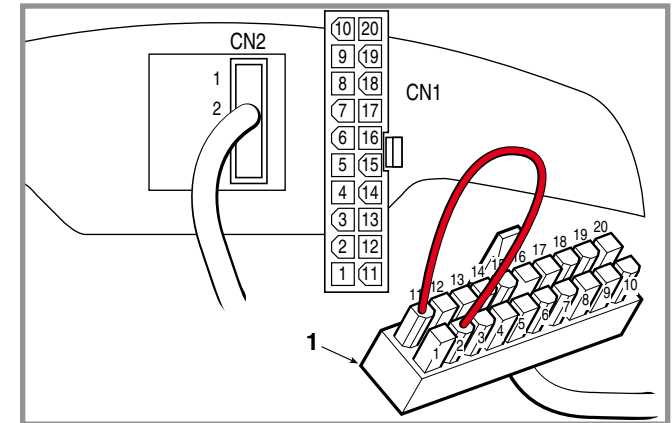
⚠ WARNING! *This check must be made with the engine off.*

Disconnect connector CN1 and bridge terminals 2 and 11 of cabling connector CN1 (1).

With the key set to «ON», when the switch is operated a click must be heard from the moving part of the clutch, due to excitation of the electric wiring.

If this is not so, check the operation of the cabling and control switch.

The clutch must be replaced if engagement does not take place after these checks.



CHECKING THE OPERATION OF THE BAG
EMPTYING CONTROL

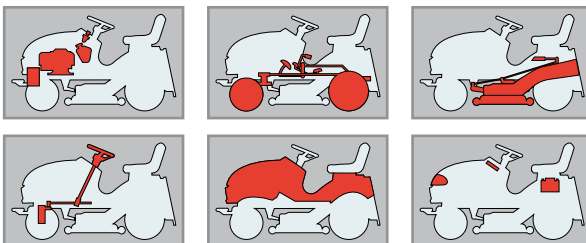
Validity



General informations

Related topics

Map of functional units



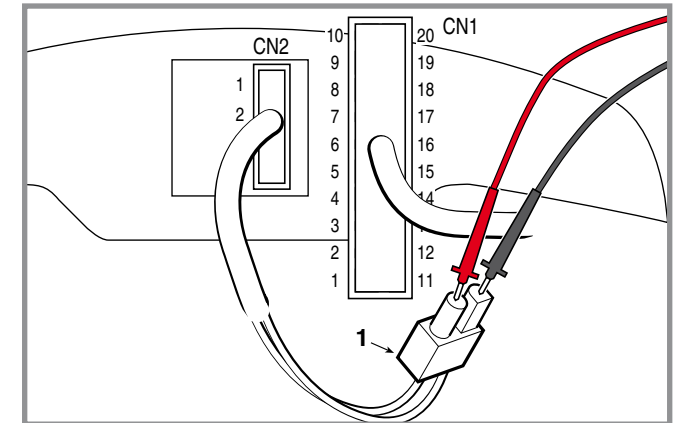
The following conditions must be ensured to make this check:

- key set to «ON»,
- connector CN2 connected,
- operator seated,
- blades disengaged.

The check is made with the tester in Voltmeter mode (0 ÷ 20 Volts DC) and with the probes on the connector (2) output cabling terminals.

When one of the two keys is pressed the instrument reading shows the battery voltage (positive or negative); this value must never fall below 11.5 Volts.

If no power is detected it means that the 15 A fuse has blown or that there is a fault in the actuator board.



REPLACING THE CLOCK'S BUFFER BATTERY

CHAPTER	REVISION	FROM ...	PAGE
7.19	0	2018	1 of 1

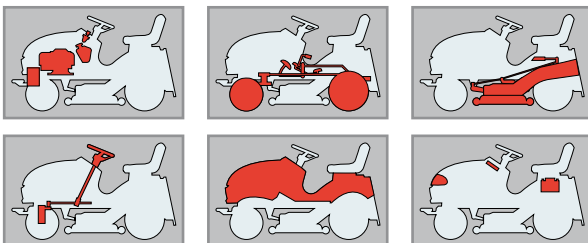
Validity



General informations

Related topics

Map of functional units

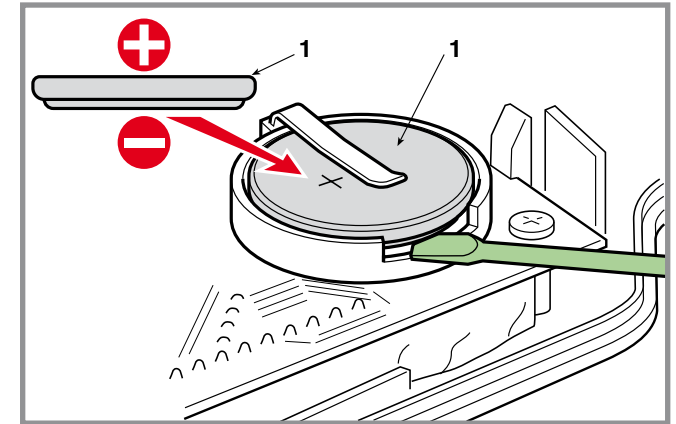


NOTE The lower panel/board group guard, fixed by two nuts, must be removed to carry out this operation.

Use a screwdriver to remove the flat battery (1).

Only use 3 Volt 24 mm Ø batteries of types CR 2450 or CR 2430.

When fitting the new battery make sure that the end marked «+» faces towards the check spring.

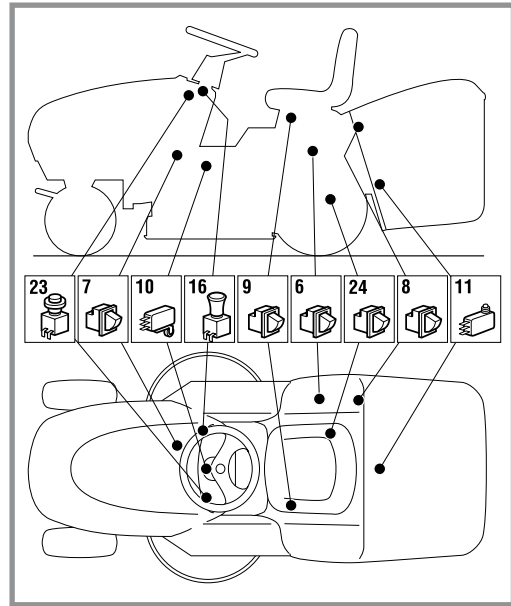


Validity

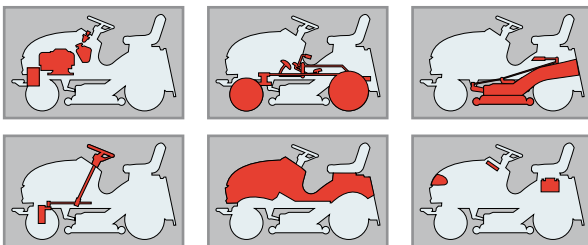


General informations

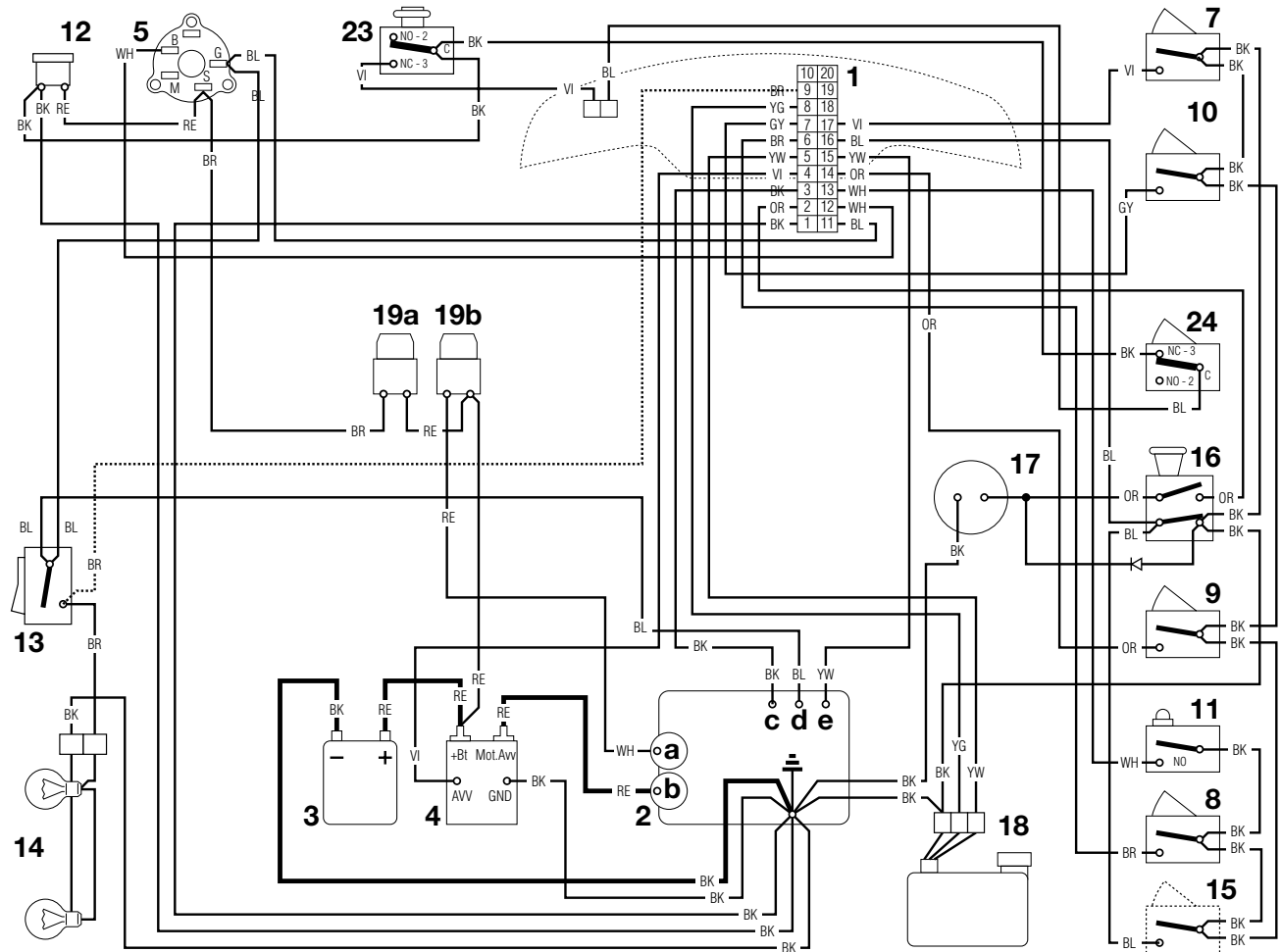
Related topics



Map of functional units



Engines: B&S - Stiga - Kawasaki



- | | | | |
|----|------------------------------|-----|--------------------------------|
| 1 | Electronic Card | 10 | Neutral microswitch |
| 2 | Engine | 11 | Grass-catcher full microswitch |
| 2a | Generator | 12 | Recharge connector |
| 2b | Starter | 13 | Lights switch |
| 2c | Engine stop | 14 | Light |
| 2d | Carburettor | 15 | Blade microswitch (if fitted) |
| 2e | Oil | 16 | Clutch switch |
| 3 | Battery | 17 | Clutch |
| 4 | Starter relay | 18 | Fuel tank |
| 5 | Key ignition switch | 19a | 10 A Fuse |
| 7 | Brake microswitch | 19b | 25 A Fuse |
| 8 | Grasscatcher microswitch | 23 | Reverse consent button |
| 9 | Microswitch operator present | 24 | Reverse gear microswitch |

CABLE COLOURS

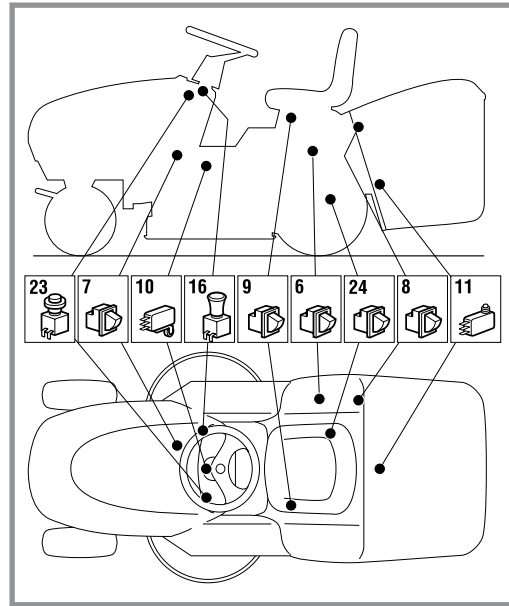
- | | |
|----|--------|
| BK | Black |
| BL | Blue |
| BR | Brown |
| GY | Grey |
| OR | Orange |
| RE | Red |
| VI | Violet |
| YW | Yellow |
| WH | White |

Validity

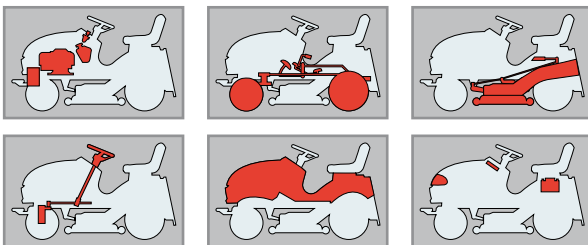


General informations

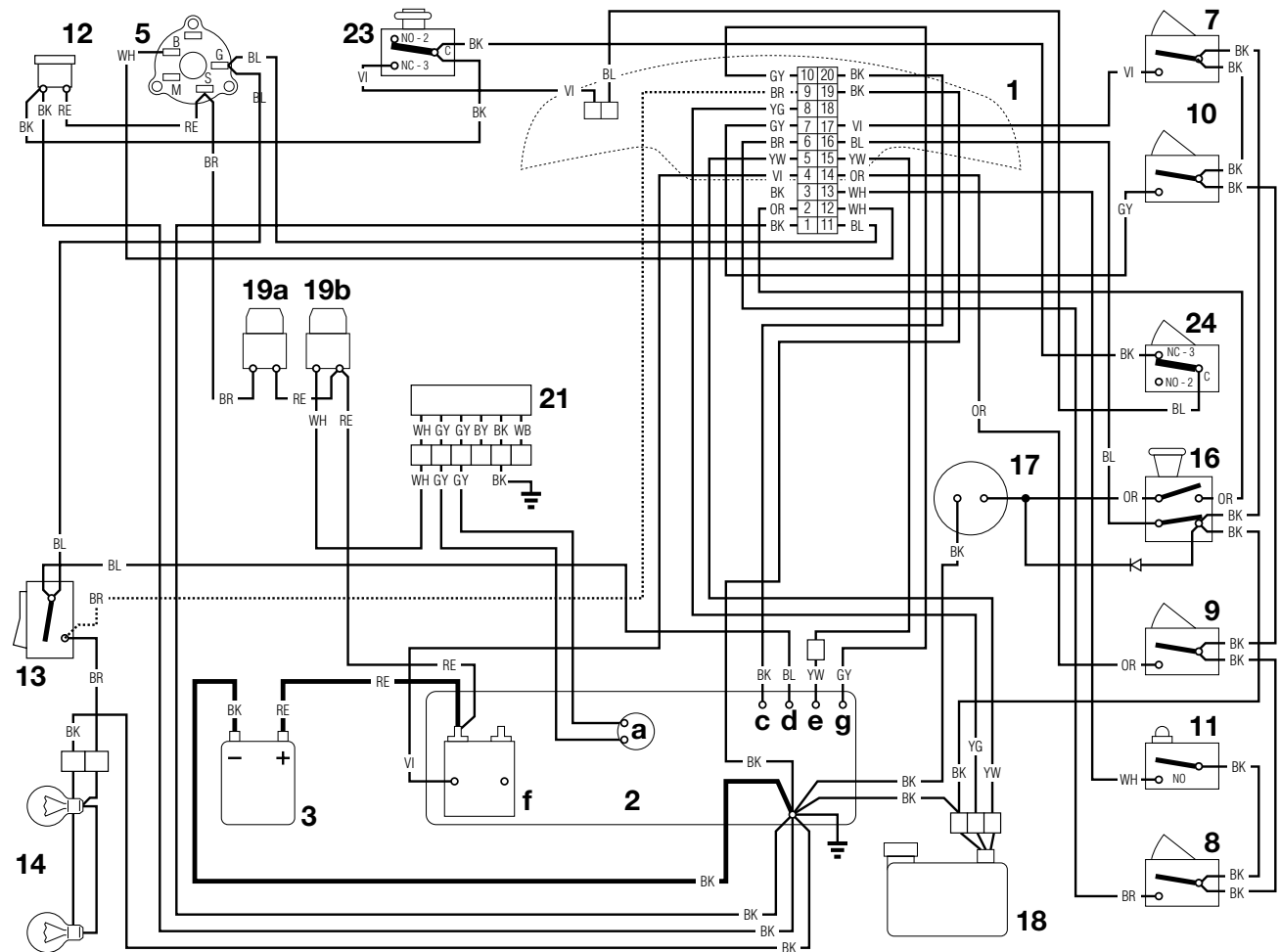
Related topics



Map of functional units



Engines: Honda



- | | | | |
|----|------------------------------|-----|--------------------------------|
| 1 | Electronic Card | 10 | Neutral microswitch |
| 2 | Engine | 11 | Grass-catcher full microswitch |
| 2a | Generator | 12 | Recharge connector |
| 2c | Engine stop | 13 | Lights switch |
| 2d | Carburettor | 14 | Light |
| 2e | Oil | 16 | Clutch switch |
| 2f | Starter relay | 17 | Clutch |
| 2g | RPM signal | 18 | Fuel tank |
| 3 | Battery | 19a | 10 A Fuse |
| 5 | Key ignition switch | 19b | 25 A Fuse |
| 7 | Brake microswitch | 21 | Charge regulator |
| 8 | Grasscatcher microswitch | 23 | Reverse consent button |
| 9 | Microswitch operator present | 24 | Reverse gear microswitch |

CABLE COLOURS

- | | |
|----|------------|
| BK | Black |
| BL | Blue |
| BR | Brown |
| GY | Grey |
| OR | Orange |
| RE | Red |
| VI | Violet |
| YW | Yellow |
| WB | White/Blue |
| WH | White |

RECHARGE CIRCUIT CHECK

CHAPTER	REVISION	FROM ...	PAGE
7.21	1	2018	1 of 1

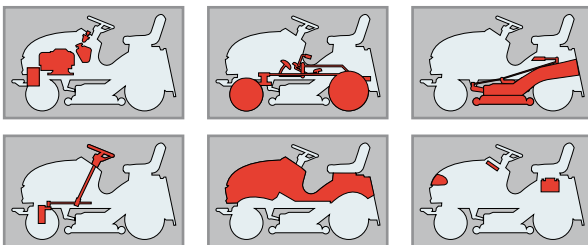
Validity



General informations

Related topics

Map of functional units



The job of the voltage regulator is to supply a flow of current to the battery at a constant voltage of about 14 -15 Volts, cutting in every time that the output voltage from the generator exceeds this threshold.

A faulty regulator may recharge the battery insufficiently (therefore needing frequent recharging) or, otherwise, may supply overloading that causes the self-resetting protection to cut in.

Before checking the recharge circuit, make sure that:

- all connections are correct;
- the earth connections are firmly connected, especially the earth connection to the regulator;
- the battery is charged and not sulphated;
- the charger fuse is not blown.

A) Checking the lower charging limit

Start the engine and keep running at minimum with the headlights on.

With the voltmeter tester, measure the voltage at the battery terminals. If the value does not rise but tends to fall, even slowly, it means that the regulator is not charging sufficiently and must be replaced.

If the voltmeter shows no value it means that the charger fuse is blown.

B) Checking the upper charging limit

Start the engine and take it to maximum speed. With the tester in the voltmeter function, measure the voltage at the battery terminals. The amount should slowly rise and settle at 14-15 Volts after about 10-15 minutes.

If this value is exceeded to the extent that the engine stops due to the self-resetting protection cutting in (at approximately 16 Volts) it means that the regulator is charging too much and must be replaced.

MAINTENANCE OF THE SEALED BATTERY

CHAPTER	REVISION	FROM ...	PAGE
7.22	1	2018	1 of 1

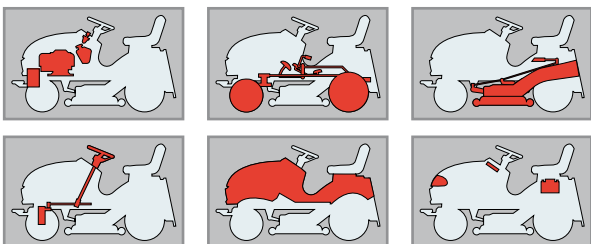
Validity



General informations

Related topics

Map of functional units



A) General information

In a sealed “dual” battery, the electrolyte for each element is carefully measured out during manufacture and sealed at source, in order to ensure maximum performance during the battery’s entire life.

With a battery of this type, it is not necessary to add water or acid, and the cover must never be opened or removed.

B) Recommendations for correct use

To keep the battery performing at optimum levels and to increase its life, various precautions should be taken:

- always keep the battery fully charged;
- always recharge a flat battery within 1 month, otherwise the elements could be damaged and no longer able to take the charge (sulphated);
- always recharge the battery before and after periods of prolonged inactivity or storage.

IMPORTANT! *Only recharge with a constant voltage battery charger. Use of other types of battery charger could damage the battery.*

C) Rules for recharging the battery

La ricarica è una operazione particolarmente IMPOR-
Recharging is a particularly important operation for the life of the battery and must be carried out according to these instructions:

- do not recharge the battery when its case is broken or damaged;
- carefully read the instructions for using the battery charger and the battery;
- use a suitable battery charger;
- recharge at a room temperature of between +10 and +30 °C;
- check that the battery does not heat to beyond 50 °C while recharging. If it should do so, stop recharging immediately and dispose of the battery since it will be unusable.

With the battery disconnected (and at rest for at least 12 hours) and the tester in voltmeter function, measure the voltage between the terminals. The amount given (open circuit voltage) gives an indication of the operations to be carried out, as per the following table:

Battery voltage with open circuit	Battery state	Operation to be carried out
> 12.6 Volt	Fully charged	None
< 12,4 Volt	Flat	Recharge

Check the battery voltage at least 12-24 hours after recharging.

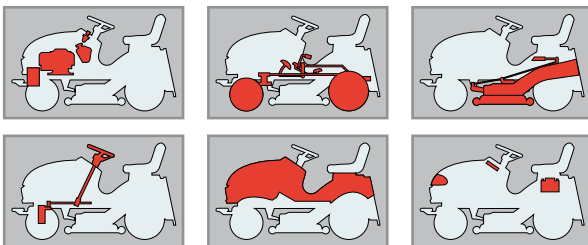
Validity



General informations

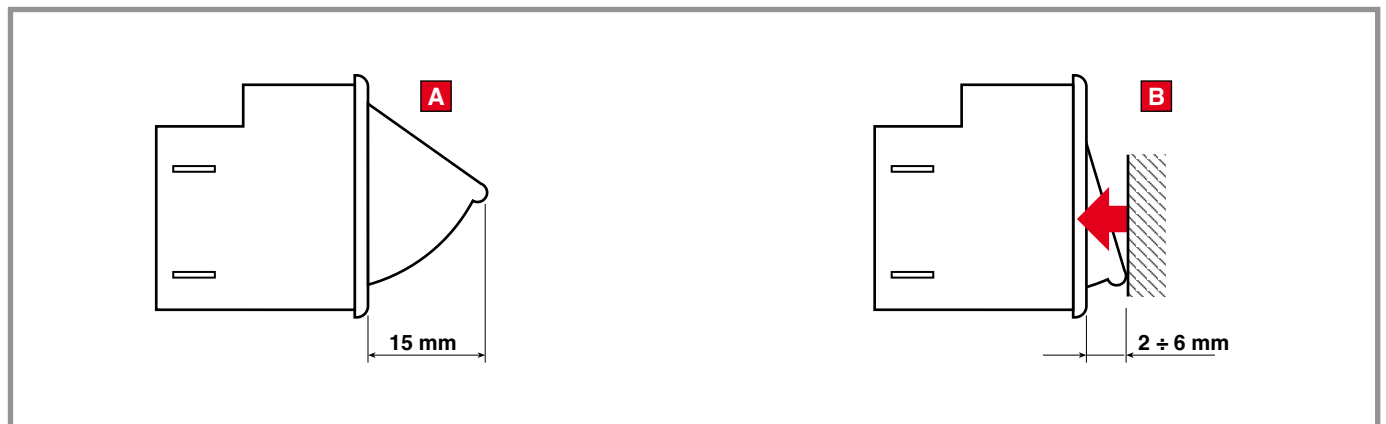
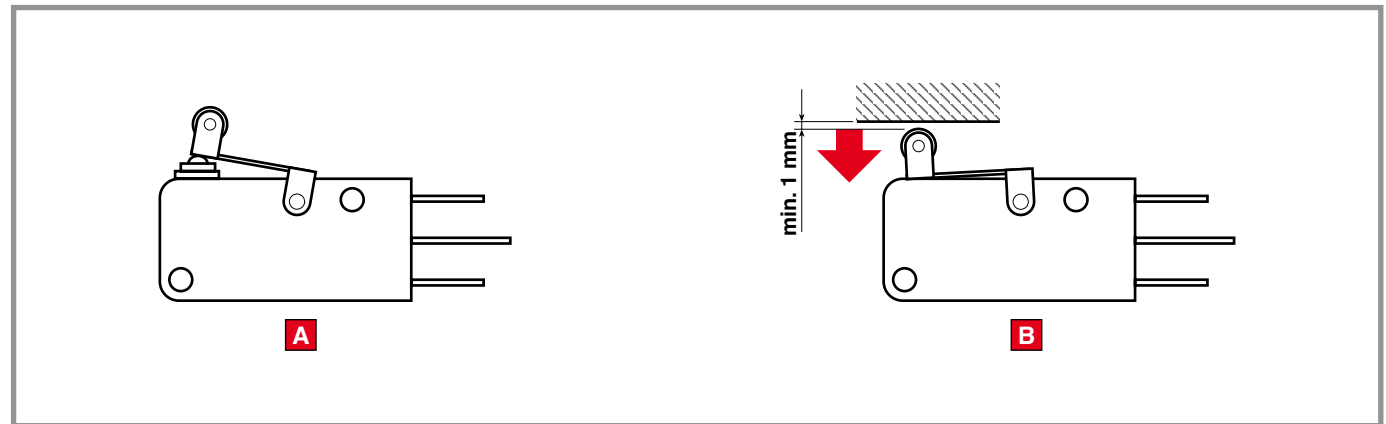
Related topics

Map of functional units



! **IMPORTANT!** *If the microswitches are to function correctly, it is important to follow the exact assembly positions by referring to the drawings that indicate the various usages of each type.*

A = Free
B = Activated



Validity

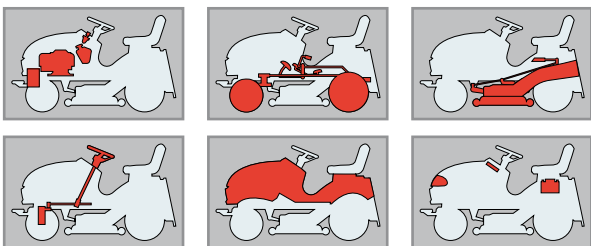


General informations

Related topics

- 4.1** Adjusting the engagement and checking the blade brake
- 4.2** Brake adjustment
- 4.3** Drive belt adjustment

Map of functional units

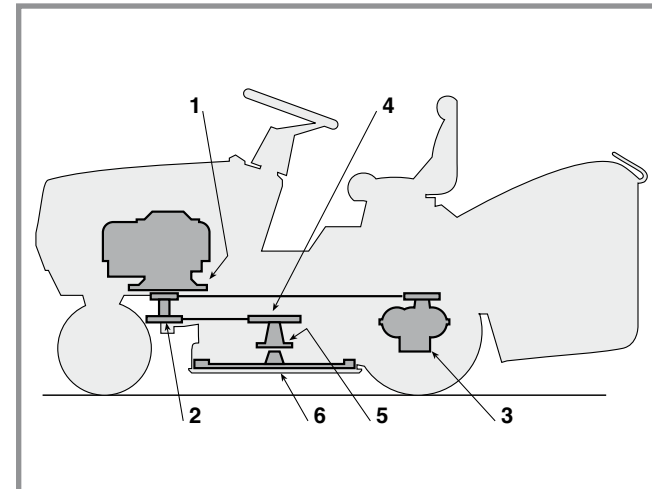


A) Tightening torques

Below are the specified tightening torques for the fixing bolts on the main parts.

- 1 Screws for engine fastening 25 ÷ 30 Nm
- 2 Screw for engine pulley 45 ÷ 50 Nm
- 3 Screws for rear axle fastening 25 ÷ 30 Nm
- 4 Blade pulley screws 25 ÷ 30 Nm
- 5 Flanged support fixing nuts 25 ÷ 30 Nm
- 6 Screw for blade 45 ÷ 50 Nm

Every section in this manual gives values for all the components involved in each operation.



B) Adjustments

Operation	Position	Position of controls	Adjustment
a) Brake adjustment			
b) Drive belt adjustment			
c) Blades engagement adjustment			<p>Mod. 102 A = 113-115 Mod. 122 A = 90-91</p>

Validity

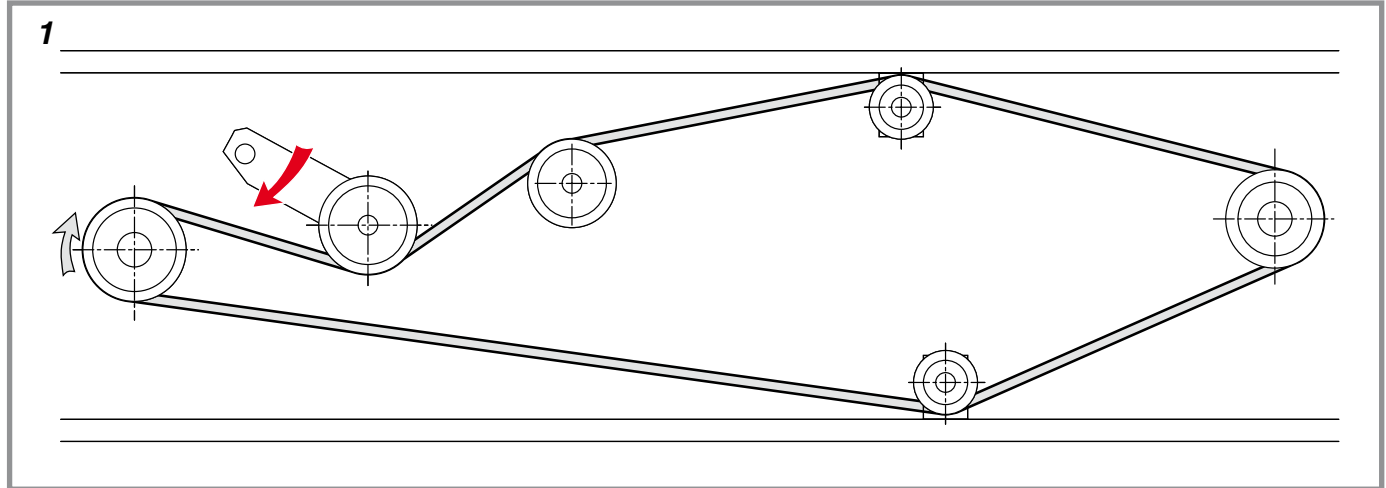
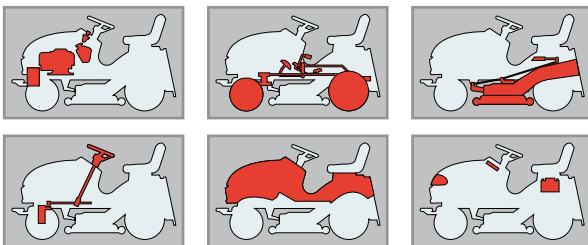


General informations:

Tightening torques

- [👉 6.4] Replacement of the drive belt
- [👉 6.6] Replacement of the blades control belt
- [👉 6.7] Replacement of the blades connection belt

Map of functional units



- 1 Drive belt development
- 2 Blades control belt development
- 3 Blades connection belt development

