

# WORKSHOP MANUAL

**Rel. 1.0**

YEAR OF MANUFACTURE **2012→2014**

The Manufacture reserves the right to make any improvements to the product of a technical or commercial nature that may be necessary. There may be, therefore, differences between the various series of machines and that described here, though the basic features and various repair methods will remain the same.

© by GLOBAL GARDEN PRODUCTS - No use of the illustrations or duplication, reproduction or translation, even partial, of the texts in this document may be made without explicit authorization.

All brands, names, logos and trademarks mentioned belong to their respective owners.



## MAP OF INTERVENTIONS

**IMPORTANT NOTICE** - The information contained herein is intended for Service Operations and professionals only, able to competently perform the operations described herein, using the appropriate equipment in order to safeguard security and performance of the machine. The manufacturer is not liable for damages or injuries arising from operations performed by individuals or inadequate facilities.



## i.0 INDEX

1 / 2

### 1. Rules and procedures for Service Centres

*This chapter covers all the main aspects of the relationship between the manufacturer and the service centres.*

*A close collaboration between the manufacturer and the service centres is conclusive for solving problems in the most effective way as well as maintaining an image of efficiency and reliability.*

*Compliance with these brief and simple guidelines will facilitate this task and prevent general misunderstandings and time-wasting for both the manufacturer and the service centre.*

### 2. General and safety regulations

*This chapter covers the main aspects of a servicing procedure and the general rules for guaranteeing a successful service which protects the environment and respects the safety of both the serviceman and the user of the apparatus.*

### 3. Maintenance

*This chapter deals with the criteria for routine maintenance.*

### 4. Adjustments and tuning

*This chapter deals with the adjustments to be made to remedy the more frequent performance failures and are usually resolved by quick checks and tunings.*

### 5. Removal of external parts and main assemblies

*For doing more difficult jobs, greater accessibility may be required. This can be done by taking the unit concerned off and working at the bench, or by removing the cover or other external parts. Whether or not this will be useful is at the discretion of the mechanic's experience.*

### 6. Repairs

*This chapter deals with all the more complex work connected with the replacement or repair of malfunctioning or worn parts. The descriptions must follow a logical sequence and can include operations not specifically connected to a particular type of repair.*

*In this case, careful reading of the entire procedure can help you omit all those operations not connected with the case in hand without, however, overlooking anything that may be necessary.*

### 7. Electrical system

*This chapter deals with the problems and checks connected with the electrical system. All work can be done using a tester without having to use special equipment.*

*The electrical diagrams can be useful to you for understanding how the system functions and to facilitate the pinpointing of any problems.*

### 8. Technical specifications

*This chapter summarises all the main information regarding the machine.*

## i.0 INDEX

2 / 2

### GENERAL INDEX

#### 1. Rules and procedures for Service Centres

1.1 0 Identification and procedures

#### 2. General and safety regulations

2.1 0 Safety regulations  
2.2 0 Tools  
2.3 0 Lifting and lower accessibility  
2.4 0 Practical hints

#### 3. Maintenance

3.1 0 Criteria for maintenance

#### 4. Adjustments and tuning

4.1 0 Adjusting the engagement and checking the blade brake  
4.2 0 Brake adjustment  
4.3 0 Drive belt adjustment  
4.4 0 Drive pedal adjustment  
(► *hydrostatic drive models*)  
4.5 0 Aligning the cutting deck  
4.6 0 Adjusting the steering play  
4.7 0 Steering geometry adjustment  
4.8 0 Checking blades alignment  
4.9 0 Removing, sharpening and balancing the blades

#### 5. Removal of external parts and main assemblies

5.1 0 Removal of front hood  
(► *models with lights*)  
5.2 0 Removal of the side guards (if provided)  
5.3 0 Removal of the wheel cover  
5.4 0 Removal of the dashboard  
5.5 0 Removal of the engine  
5.6 0 Removal of the rear axle  
(► *Dana 4360-211*)  
5.6a 0 Removal of the rear axle  
(► *Hydro-Gear T2-ADBF-2X3C-1RX1*)  
5.7 0 Removal of the cutting deck  
5.8 0 Removal of the discharge conveyor

#### 6. Repairs

6.1 0 Replacement of tyres and wheels  
6.2 0 Replacement of front wheel bearings  
6.3 0 Dismantling the steering components  
6.4 0 Replacement of the drive belt  
6.5 0 Replacing the small wheels for the drive belt  
6.6 0 Replacement of the blades belt  
6.7 0 Replacement of the supports and shafts of the blades  
6.8 0 Replacing the accelerator and adjusting the carburettor  
6.9 0 Replacement of the lifting cable

6.10 0 Replacement of the brake pads and disc  
(► *mechanical drive models*)

#### 7. Electrical system

7.1 0 Troubleshooting of the electrical system  
7.2 0 Table for the cutting in of the safety devices  
7.3 0 Safety microswitches operation check  
7.4 0 Terminal board supply check  
7.5 0 Electromagnetic clutch operation check  
7.6 0 Starter relay operation check  
7.7 0 Electronic card operation check  
7.8 0 Recharge circuit check  
7.9 0 Care and maintenance of the sealed battery  
7.10 0 Fitting safety microswitches  
7.11 0 Electrical diagrams

#### 8. Technical specifications

8.1 0 Tightening torques and adjustments  
8.2 0 Belts Assembly

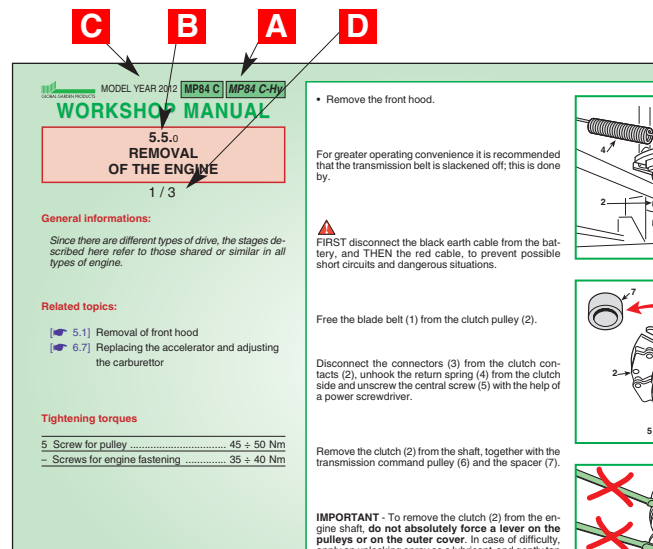
## ii.0 INTRODUCTION

1 / 1

This manual has been compiled to help Service Centres with the maintenance, dismantling and repair of the following versions of the MP84 C lawn-tractor:



- mechanical drive with gear box;
- hydrostatic drive (hydro).

Each page of this manual states the following information:



- A)** Machine or machine series to which the page applies.
- B)** Page number, specifically:
  - the first two figures separated by a point indicate the section and the chapter
  - the third figure indicates the modification index.
- C)** Temporary validity of the page, with reference to the year of manufacture or serial numbers.
- D)** Page number and total number of pages dedicated to the subject.

The manual refers to the following symbols:

-  **Warns of operations that should be carried out with utmost care to avoid impairing the functionality and safety of the lawnmower**
-  **Warns of operations that should be carried out with utmost care to avoid injury to the operator.**

 **Reference to another procedure or part of the manual.**

 **This symbol highlights all those operations that require different working methods depending on the type of machine, subsequent modifications or accessories fitted.**

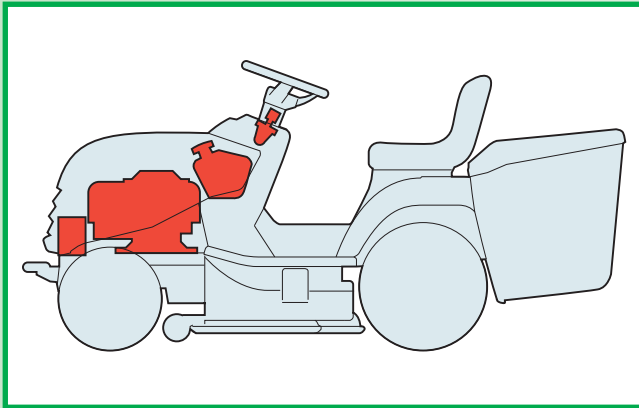
**NOTE**  
Whenever a reference is made to a position on the machine “front”, “back”, “left” or “right” hand side, this is determined by facing the direction of forward travel.

The manual has left out the simplest and quickest operations that can be handled by a good mechanic, while concentrating more on specific aspects and the best servicing procedures.

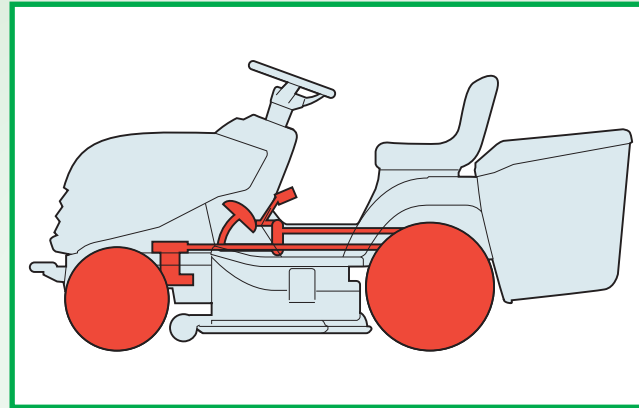
You are asked to read through this manual to acquire a basic understanding of the machine, which is necessary for working rationally without making errors or wasting time.

All problems related to use are fully covered in the user manual.

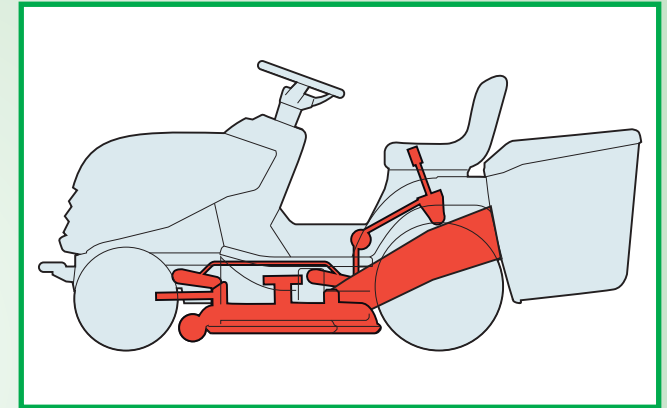
## iii.0 MAP OF INTERVENTIONS



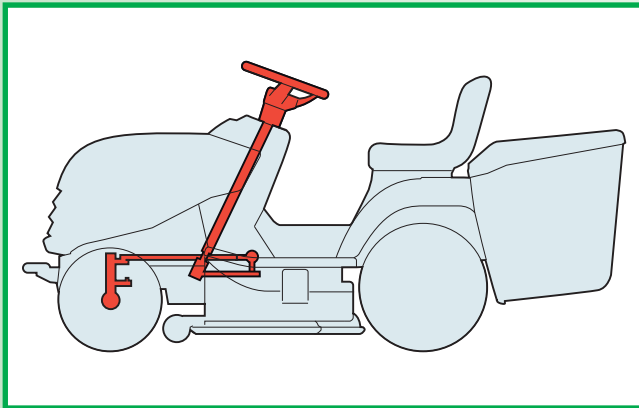
ENGINE - FUEL TANK



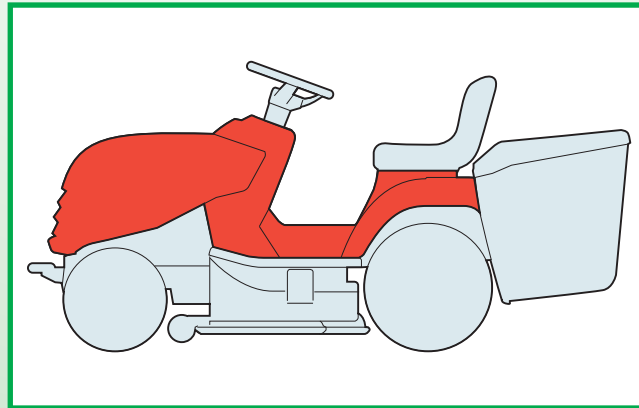
TRANSMISSION - BRAKE - WHEELS



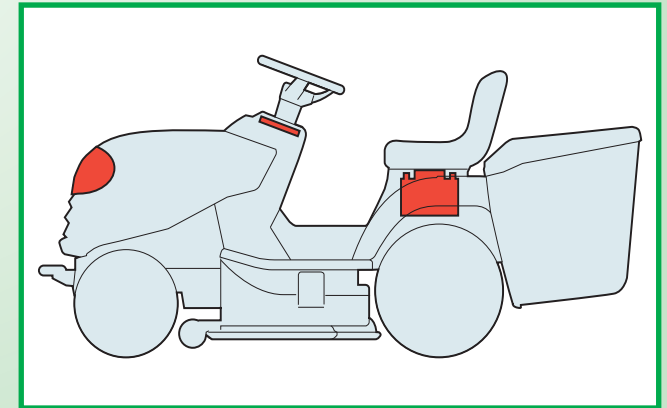
CUTTING DECK



STEERING



BODY



ELECTRICAL SYSTEM

# WORKSHOP MANUAL

## iv.0 ENGINE - FUEL TANK

1 / 6

### INDEX OF RELATED TOPICS:

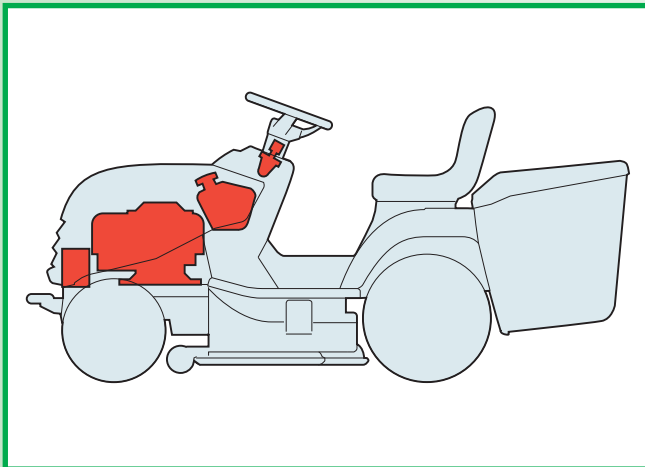
#### Removal of external parts and main assemblies

Removing the front hood ..... [👉 5.1]

Removal of the engine ..... [👉 5.5]

#### Repairs

Replacement of the accelerator ..... [👉 6.8]



MAP

# WORKSHOP MANUAL

## iv.0 TRANSMISSION - BRAKE WHEELS

2 / 6

### INDEX OF RELATED TOPICS:

#### Adjustments and tuning

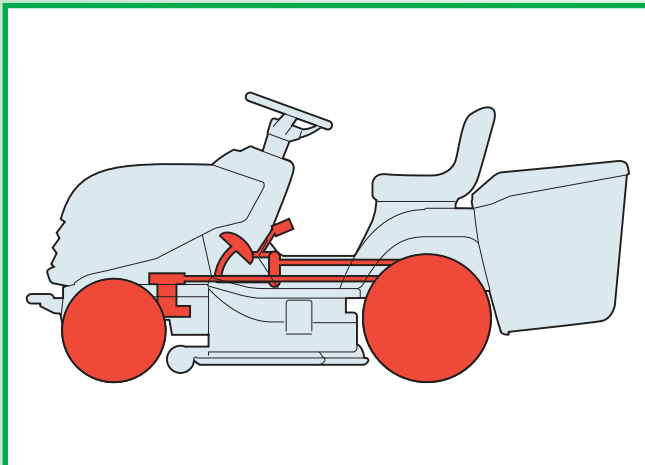
Brake adjustment .....	[👉 4.2]
Drive belt adjustment .....	[👉 4.3]
Drive pedal adjustment (▶ <i>hydrostatic drive models</i> ) .....	[👉 4.4]

#### Removal of external parts and main assemblies

Removal of the side guards (if provided) .....	[👉 5.2]
Removal of the rear axle (▶ <i>Dana 4360-211</i> ) .....	[👉 5.6]
Removal of the rear axle (▶ <i>Hydro-Gear T2-ADED-2X3C-1PA1</i> ) .....	[👉 5.6a]

#### Repairs

Replacement of tyres and wheels .....	[👉 6.1]
Replacement of front wheel bearings .....	[👉 6.2]
Replacement of drive belt .....	[👉 6.4]
Replacing the small wheels for the drive belt .....	[👉 6.5]
Replacement of the brake pads and disc (▶ <i>mechanical drive models</i> ) .....	[👉 6.10]



# WORKSHOP MANUAL

## iv.0 CUTTING DECK

3 / 6

### INDEX OF RELATED TOPICS:

#### Adjustments and tuning

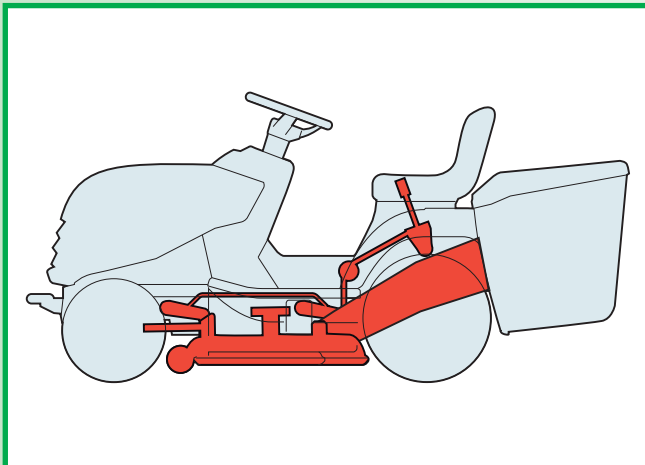
- Adjusting the engagement and checking the blade brake ..... [👉 4.1]
- Aligning the cutting deck ..... [👉 4.5]
- Checking blades alignment ..... [👉 4.8]
- Removing, sharpening and balancing the blades ..... [👉 4.9]

#### Removal of external parts and main assemblies

- Removal of the side guards (if provided) ..... [👉 5.2]
- Removal of the cutting deck ..... [👉 5.7]
- Removal of the front discharge conveyor ..... [👉 5.8]
- Remove of the rear discharge conveyor ..... [👉 5.8]

#### Repairs

- Replacement of blade control belt ..... [👉 6.6]
- Replacement of the supports and shafts of the blades ..... [👉 6.7]
- Replacement of the lifting cable ..... [👉 6.9]





# WORKSHOP MANUAL

## iv.0 STEERING

4 / 6

### INDEX OF RELATED TOPICS:

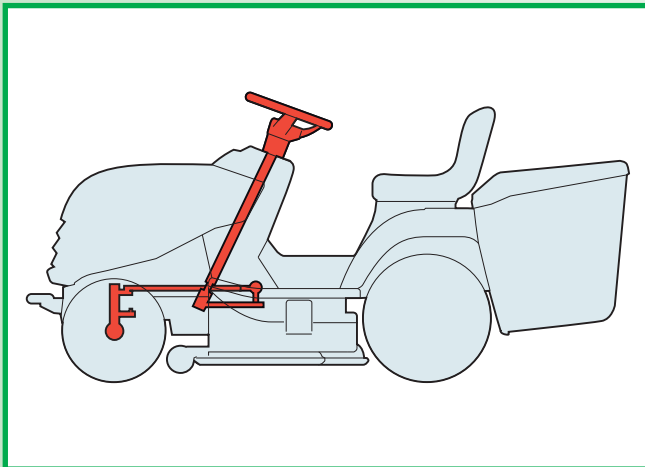
#### Adjustments and tuning

Adjusting the steering play ..... [👁 4.6]

Steering geometry adjustment ..... [👁 4.7]

#### Repairs

Dismantling of the steering components ..... [👁 6.3]



# WORKSHOP MANUAL

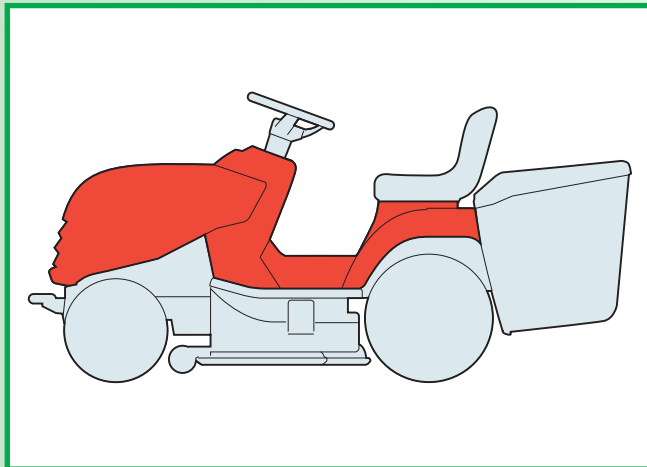
iv.0  
**BODY**

5 / 6

## INDEX OF RELATED TOPICS:

### Removal of external parts and main assemblies

Removing the front hood .....	[👁 5.1]
Removal of wheels cover .....	[👁 5.3]
Removal of the dashboard and front cover .....	[👁 5.4]



# WORKSHOP MANUAL

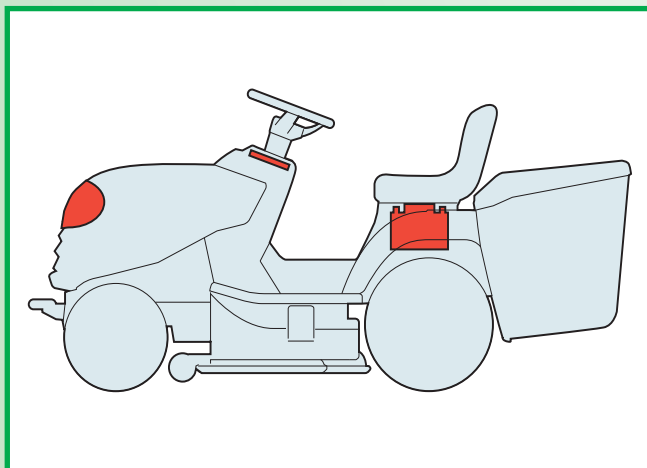
## iv.0 ELECTRICAL SYSTEM

6 / 6

### INDEX OF RELATED TOPICS:

#### Info

Troubleshooting of the electrical system .....	[👉 7.1]
Table for the cutting in of the safety devices .....	[👉 7.2]
Safety microswitches operation check .....	[👉 7.3]
Terminal board supply check .....	[👉 7.4]
Electromagnetic clutch operation check .....	[👉 7.5]
Starter relay operation check .....	[👉 7.6]
Electronic card elettronica operation check .....	[👉 7.7]
Recharge circuit check .....	[👉 7.8]
Care and maintenance of the sealed battery .....	[👉 7.9]
Fitting safety microswitches .....	[👉 7.10]
Electrical diagrams .....	[👉 7.11]



# WORKSHOP MANUAL

## 1.1.0 IDENTIFICATION AND PROCEDURES

1 / 2

### General informations:

*This chapter covers all the main aspects of the relationship between the Manufacturer and the Service Centres.*

*A close collaboration between the Manufacturer and the Service Centres is conclusive for solving problems in the most effective way as well as maintaining an image of efficiency and reliability.*

*Compliance with these brief and simple guidelines will facilitate this task and prevent general misunderstandings and time-wasting for both the manufacturer and the service centre.*

### Related topics:

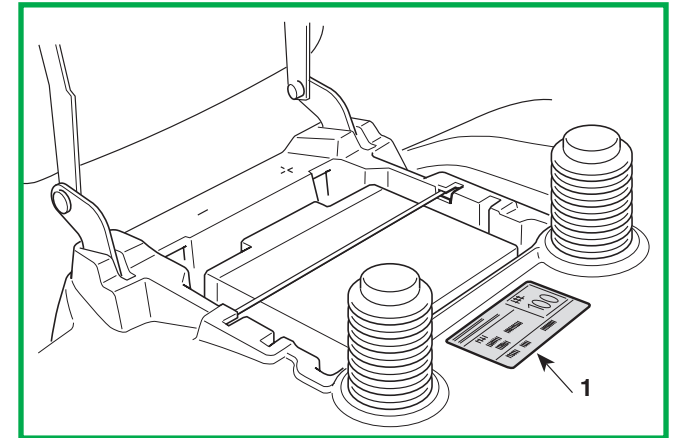
---

## A) Identification

### 1) Machine

Each machine has a label attached (1) under the driver's seat which shows the technical specifications, the model and the serial number.

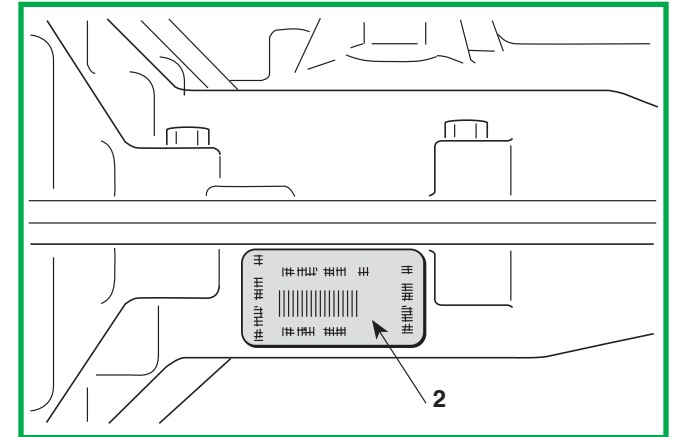
**The model and serial number must be shown on each repair sheet when requests are made under guarantee, and are indispensable for spare part orders.**



### 2) Transmission (Rear axle)

The transmission unit (both mechanical and hydrostatic) is made up of an engine block including the rear axle. This unit is made by another manufacturer to our precise technical specifications which differentiate it from similar items by this same Manufacturer.

**The serial number on the label (2) clearly identifies the product and its specifications. This number must always be quoted when requesting spare parts or any information from the Manufacturer.**



### 3) Engine

The engine is made to precise technical specifications which differentiate it from similar items by this same Manufacturer.

**The serial number on the label clearly identifies the product and its specifications. This number must always be quoted when requesting spare parts or any information from the Manufacturer.**

## B) Guarantee validity

The guarantee is supplied under the terms and the limits of the contractual relations in being. As far as the engine and the transmission unit are concerned, the conditions given by their respective manufacturers apply.

# WORKSHOP MANUAL

## 1.1.0 IDENTIFICATION AND PROCEDURES

2 / 2

### General informations:

*This chapter covers all the main aspects of the relationship between the Manufacturer and the Service Centres.*

*A close collaboration between the Manufacturer and the Service Centres is conclusive for solving problems in the most effective way as well as maintaining an image of efficiency and reliability.*

*Compliance with these brief and simple guidelines will facilitate this task and prevent general misunderstandings and time-wasting for both the manufacturer and the service centre.*

### Related topics:

---

### C) Service repairs after guarantee period

The Service Centre has to make out a report containing the machine's serial number, a summary of the problem, the repairs carried out and any spare parts used for each repair done on the machine.


A copy of this report must be retained to be made available to the Manufacturer together with the parts in case of any subsequent disputes with Customers.

### D) Fault notification

The Manufacturer welcomes any notifications of faults that recur with particular frequency. It gives the opportunity for a careful inspection of the problem and the implementation of corrective action at production level.

Similarly, the Manufacturer will notify of any faults discovered on the machines produced, with recommendations for the most suitable procedures for their remedy.

### E) Spare parts request

When requesting spare parts, the code number must be given, referring to the exploded charts for the year of manufacture, shown on the identification label [ point A].

# WORKSHOP MANUAL

## 2.1.0 SAFETY REGULATIONS

1 / 2

### General informations:

*This chapter covers the main aspects of a servicing procedure and the general rules for guaranteeing a successful service which respects the safety of the machine.*

### Related topics:

[👁️ 2.2] Tools

[👁️ 7.3] Safety microswitches operation check

### A) Qualification of operators

All maintenance, disassembly and repairs must be carried out by expert mechanics who are familiar with all the accident prevention and safety regulations after reading through the procedures in this manual.

### B) Safety measures

All the machines are manufactured in accordance with the strict European safety regulations in force.

To maintain these levels of safety in the longer term, the Service Centres should work to this end by making appropriate checks every time there is the chance to do so.

Particularly, every time there is work done on the machine the Service Centre should:

#### 1) check:

- that safety microswitches are working correctly;
- that the casings and protection covers have not been removed;
- that the labels with instructions or provisions have not been removed or have become illegible (these form an integral part of the safety system).

#### 2) they should also:

- restore to proper working order any safety devices which have been manipulated or removed;
- reattach inefficient, damaged or missing casings and protection covers;
- replace illegible labels;
- not endorse any repair or modification on the machine or the engine which results in a change in performance or use that is incorrect or different from the purpose for which it was designed and approved;

- warn the Customer that the failure to comply with the above points results in the automatic annulment of the Guarantee and the Manufacturer declines all responsibility, as also shown in chapter 1 of the Instruction Booklet.

### C) Precautions during servicing

The operations described in this manual do not entail particularly hazardous situations besides the normal hazard related to mechanical operations and that can be avoided by taking the necessary care and attention normally required for this type of work.

As well as following the usual accident prevention regulations that apply to most repair shops, we recommend you:

- taking out the ignition key before beginning any repair work.
- protect hands with suitable working gloves, especially when working near the cutting unit;
- check that you do not cause accidental petrol leaks or other losses;
- do not smoke when working on the tank or when handling petrol;
- do not inhale oil or petrol fumes;
- clean up all traces of spilt petrol immediately;
- test the engine in a well-ventilated environment or where there are adequate exhaust fume extraction systems;
- do not pollute the environment with oil, petrol or other waste and dispose of all waste in accordance with the laws in force;
- ensure that other persons cannot accidentally carry out actions that may physically endanger those working on the machine.

### D) Necessary equipment

All the operations can be carried out with the tools normally used in a good garage.  
Some operations require special equipment and tools.

# WORKSHOP MANUAL

## 2.1.0 SAFETY REGULATIONS

2 / 2

### General informations:

*This chapter covers the main aspects of a servicing procedure and the general rules for guaranteeing a successful service which respects the safety of the machine.*

### Related topics:

[👁️ 2.2] Tools

[👁️ 7.3] Safety microswitches operation check

### E) Symbols and terms used for safety purposes

Some paragraphs in this manual are preceded by symbols which indicate the following:



**Operations that should be carried out with utmost care to avoid impairing the functionality and safety of the lawnmower.**



**Operations that should be carried out with utmost care to avoid injury to operators.**

**“WARNING” stresses the risk of injury to oneself and others if instructions and regulations are not observed.**

# WORKSHOP MANUAL

## 2.2.0 TOOLS

1 / 1

### General informations:

*This chapter covers the main aspects of a servicing procedure and the general rules for guaranteeing a successful service which respects the safety of the machine.*

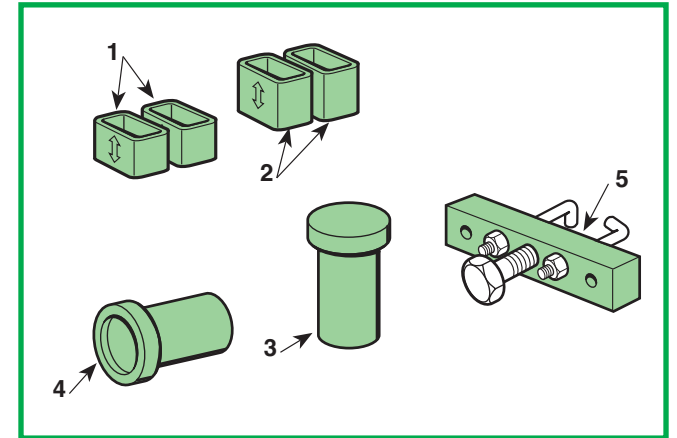
### Related topics:

---

All work can be carried out using the tools normally available from a good workshop. However, it is advisable to have a set of special tools (1 ÷ 5).

These tools (1 ÷ 5) are to be used whenever is given in this text.

1. Blocks H = 26 mm for adjusting the cutting deck
2. Blocks H = 32 mm for adjusting the cutting deck
3. Bush for assembly of blades bearings
4. Stopper for assembly of wheel bearings
5. Blade pulley extractor





# WORKSHOP MANUAL

## 2.3.0 LIFTING AND LOWER ACCESSIBILITY

1 / 2

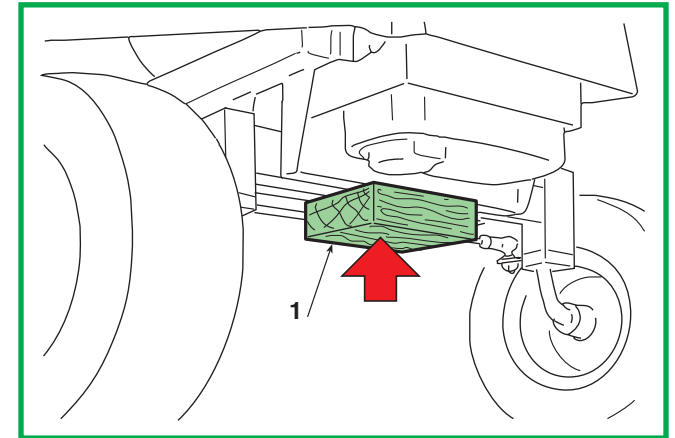
### General informations:

*This chapter covers the main aspects of a servicing procedure and the general rules for guaranteeing a successful service which respects the safety of the machine.*

### Related topics:

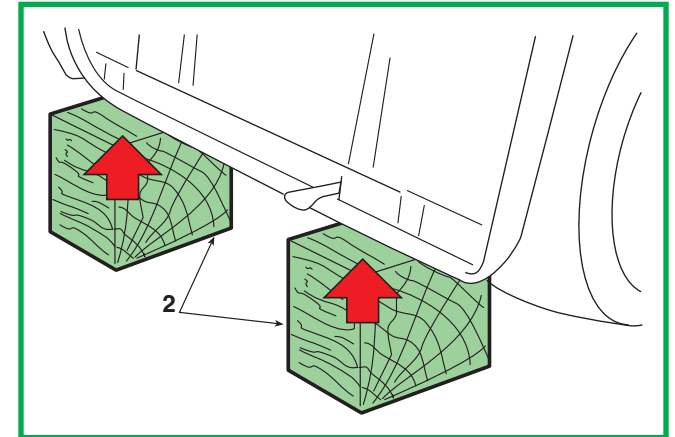
---

**!** The machine must never be lifted using a hoist or other lifting equipment which uses cables.



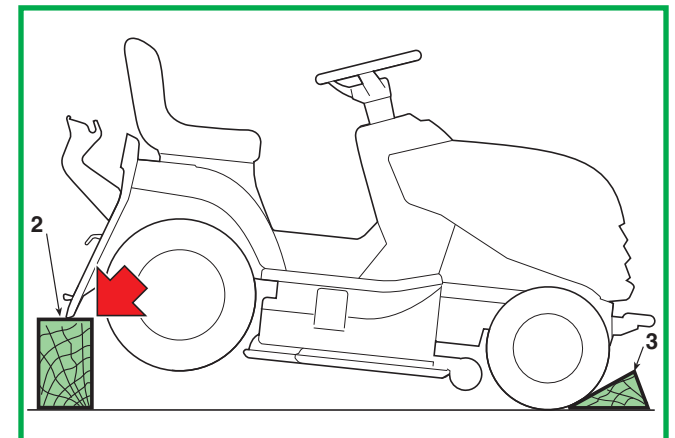
### A) Front

ONCE THE PARKING BRAKE HAS BEEN ENGAGED, the lawn-tractor can be lifted using a jack which pushes on the underside of the frame, placing a wood block (1) between the base of the jack and the frame and checking to see that the free movement of the front spring equaliser has not been obstructed.



### B) Rear

Place two suitable blocks (2) beneath the lower edge of the plate. In any case, an appropriately sized wedge (3) should be placed behind the opposite wheels to stop the lawn-tractor from accidentally moving backwards.



# WORKSHOP MANUAL

## 2.3.0 LIFTING AND LOWER ACCESSIBILITY

2 / 2

### General informations:

*This chapter covers the main aspects of a servicing procedure and the general rules for guaranteeing a successful service which respects the safety of the machine.*

### Related topics:

---

### C) Vertical positioning

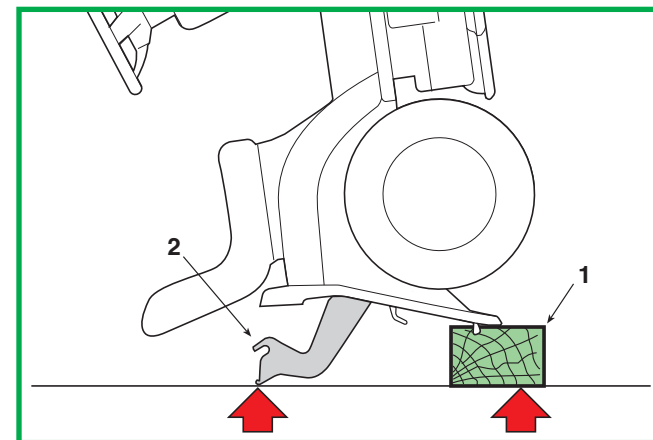
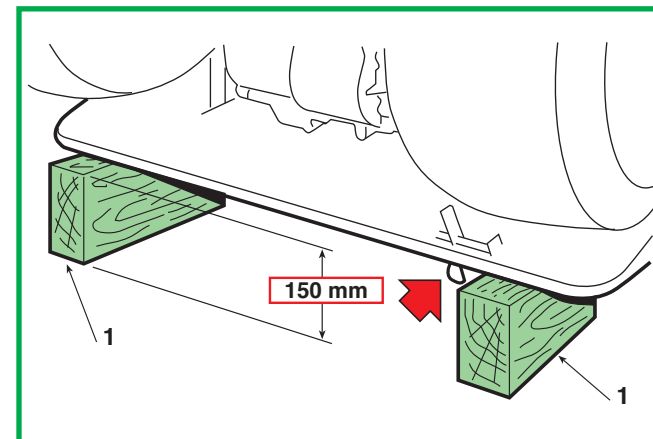
**⚠ WARNING!** Two people will be needed for this operation. When lifting and tipping backwards, only solid parts should be gripped (steering wheel, frame, rear plate, etc.) and NEVER parts of the bodywork in plastic.

The tank must be checked before putting the lawn-tractor in a vertical position to make sure that there is no more than 2 litres of fuel inside.

To assure full stability, the lawn-tractor must only be rested on the points shown, inserting a block (1) of about 150 mm under the lower edge of the plate and taking care not to damage the parts in plastic and the grass-catcher mounts (2).

**⚠ WARNING!** Before carrying out any type of work make sure that the machine is completely stable, and avoid operations that could cause it to fall over.

**⚠ WARNING!** Be just as careful when putting the machine back on a flat surface; two people are needed for this operation.



# WORKSHOP MANUAL

## 2.4.0 PRACTICAL HINT

1 / 2

### General informations:

*This chapter covers the main aspects of a servicing procedure and the general rules for guaranteeing a successful service which respects the safety of the machine.*

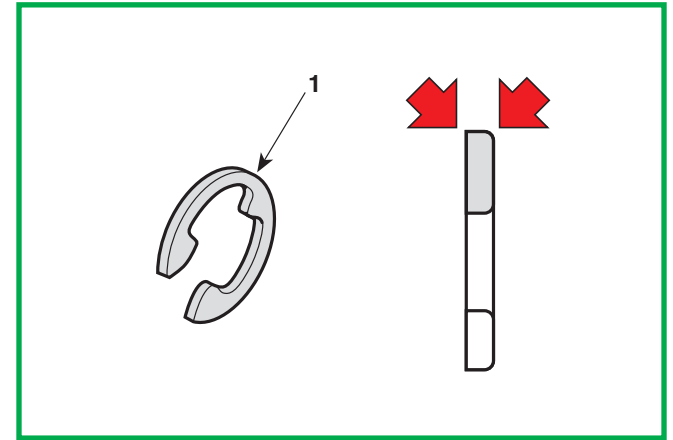
### Related topics:

---

### A) Fitting snap rings

One side of the “Benzing” snap rings (1) has a rounded edge and the other a sharp edge.

For maximum grip the rounded part needs to be facing towards the element to be held (2), with the sharp edges on the outside.

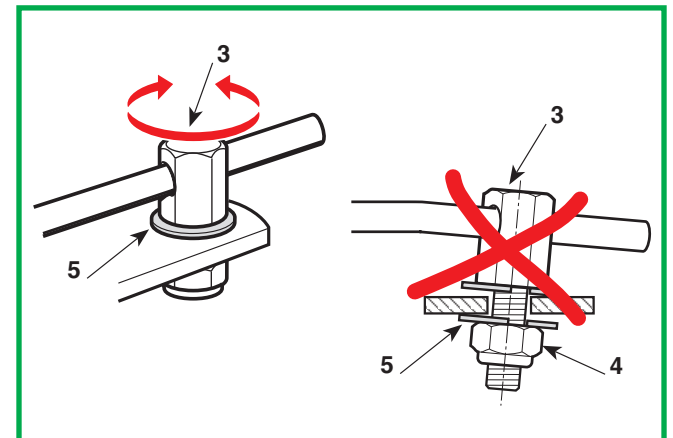
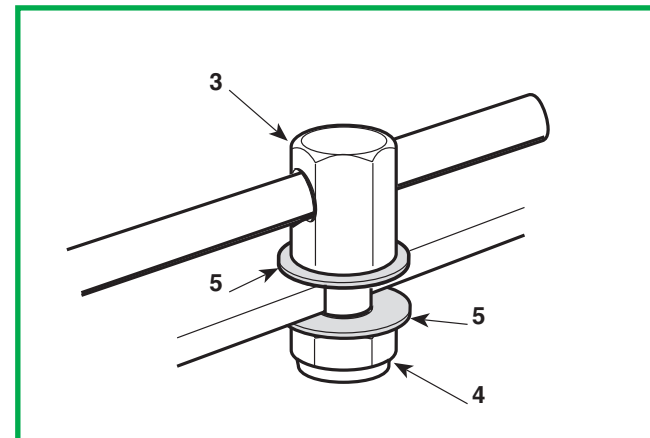
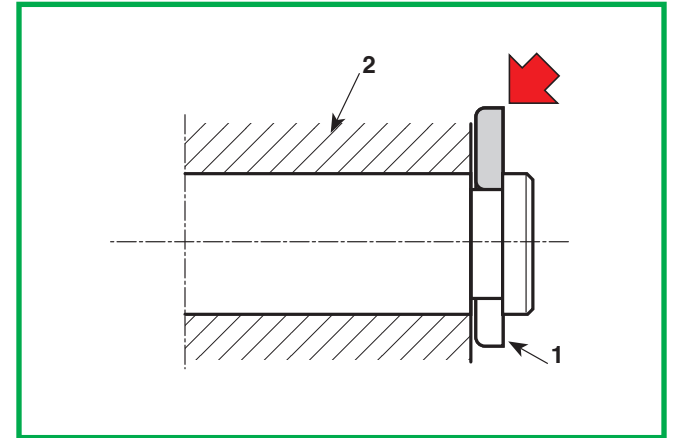


### B) Joint pivot pins

There are a large number of pivot pins, usually connected to rods, that need to be able to move in various directions.

A typical situation has the pin (3) fixed by a self-locking nut (4) with two anti-friction washers (5) in between the pin (3) and the support element, and between this and the nut (4).

Since these are joints, the nut must never be tightened completely but only so much that it can ensure the free rotational movement of the pin on its axis without, however, creating excessive free play which could result in the parts concerned becoming misaligned and failing to work correctly.



# WORKSHOP MANUAL

## 2.4.0 PRACTICAL HINT

2 / 2

### General informations:

*This chapter covers the main aspects of a servicing procedure and the general rules for guaranteeing a successful service which respects the safety of the machine.*

### Related topics:

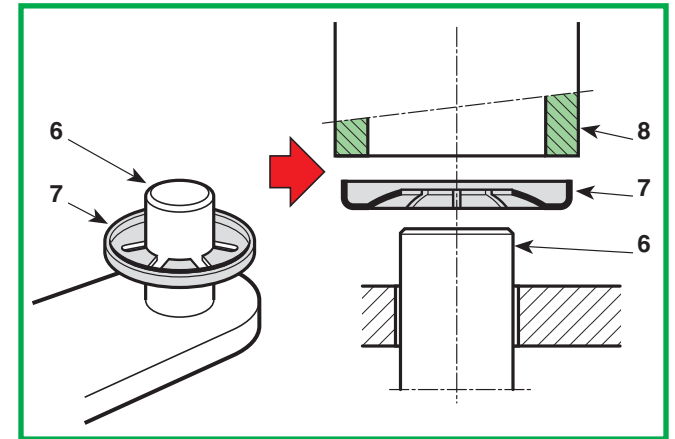
---

### C) Crown fasteners

Some pin ends (6) are secured by crown fasteners (7). During dismantling, these fasteners are always damaged and lose their hold, **so they should never be reused.**

On assembly, make sure it is inserted in the right direction and push the fastener (7) onto the pin using a pipe or socket spanner (8) with the right diameter, so that it can be fitted without deforming the fastener "crown".

**A deformed fastener should always be replaced.**



# WORKSHOP MANUAL

## 3.1.0 CRITERIA FOR MAINTENANCE

1 / 1

### General informations:

*This chapter deals with the criteria for routine maintenance.*

### Related topics:

---

The Instruction Handbook has a number of operations to be carried out by the Customer for a minimum of basic maintenance, and other operations not always within his capacity.

For this reason the Service Centre should undertake to keep the machine in perfect working order in two ways:

- a) Tuning the machine whenever possible.
- b) Proposing a regular maintenance programme to the Customer to be carried out at prearranged intervals (for example, at the end of the summer or prior to a long period of inactivity).

#### a) Occasional tuning

- Check working order of safety devices and renew illegible or missing labels
- Check type pressures
- Clean air filter
- Check engine oil level
- Check for fuel leaks
- Align cutting deck
- Sharpen and balance the blades and check the condition of the hubs
- Check for wear in the belts
- Check the blade brake engagement
- Grease front wheels lever joint pins and bushes
- Check tightness of engine screws
- Check all those items indicated in the engine manual

#### b) Regular maintenance

- **All work carried out in section a), plus:**
  - Check battery charge
  - Check tension of belts
  - Adjust drive engagement
  - Adjust brake
  - Adjust blade engagement
  - Adjust blades brake
  - Check steering allowance
  - Check front bearings
  - General lubrication
  - Clean away grass cuttings and wash exterior
  - Clean and wash inside cutting deck and collector channel
  - Clean and wash grass-catcher
  - Touching up of any damaged paint

# WORKSHOP MANUAL

4.1.0

## ADJUSTING THE ENGAGEMENT AND CHECKING THE BLADE BRAKE

1 / 1

### General informations:

The blades are driven by the engine by means of a "V" belt and are engaged by an electromagnetic clutch.

After a certain period of use possible dimensional changes in the length of the belt could lead to operating irregularities, namely:

- belt slipping = belt elongated
- disengagement difficulties with the blades that will not stop = belt shortened.

The tension regulator must be adjusted in both cases.

Disengaging the blades causes the cutting in of a brake, incorporated in the electromagnetic clutch, whose task is to stop the blades from rotating within five seconds.

### Related topics:

- [🔧 5.2] Removal of the side guards (if provided)
- [🔧 6.6] Replacement of the blades belt
- [🔧 7.5] Electromagnetic clutch operation check

### A) Adjusting blade engagement

- Remove right side guard (if provided)

With the cutting deck in its lowest position, suitably turn the adjuster nuts (1) until the spring (2) reaches the length "A":

82 - 85 mm

measured from the outer edge of the eyelet with the blades engaged.



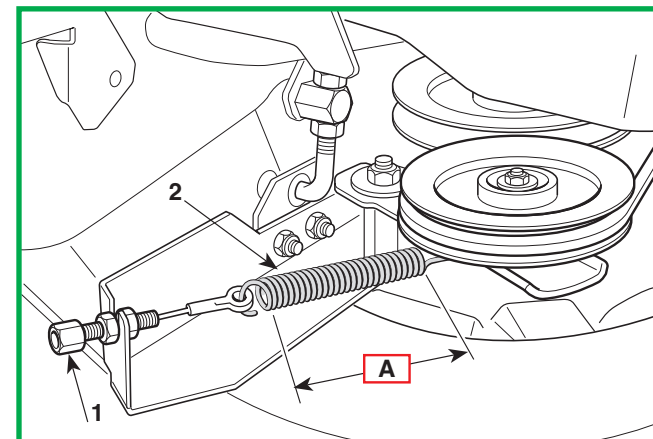
- Reassemble right side guard (if provided)

### B) Checking the blade brake



Correct operation of the brake, which must ensure that the blades stop within 5 seconds of disengagement; **longer stopping times do not comply with the safety standards.**

If the blades do not stop within 5 seconds from disengagement, appropriate checks must be made to the electrical system and the clutch must be replaced if no result is achieved.



# WORKSHOP MANUAL

## 4.2.0 BRAKE ADJUSTMENT

1 / 2

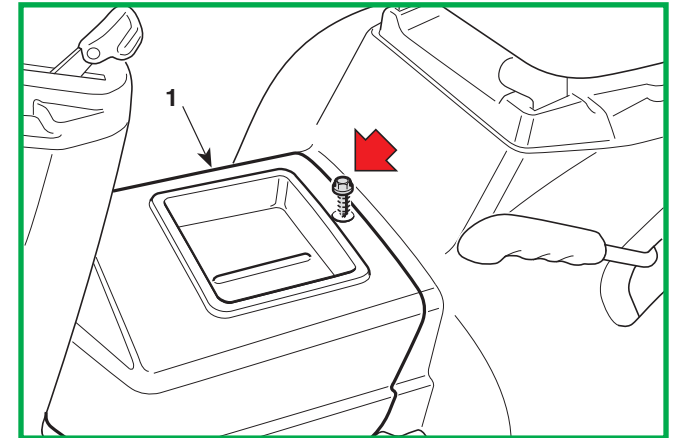
### General informations:

Reduced braking power is corrected by adjusting the spring on the brake rod.

### Related topics:

- [🔧 1.1] Identification of transmission unit
- [🔧 5.6] Removal of the rear axle  
Dana 4360-211
- [🔧 5.6a] Removal of the rear axle  
Hydro-Gear T2-ADED-2X3C-1PA1
- [🔧 6.10] Replacement of the brake pads and disc (➤ *in mechanical drive models*)

The brake adjustment spring can be accessed by removing the inspection hatch (1).



The adjustment is to be made with the parking brake engaged and consists of altering the length of the spring (2) to the best measurement. The braking capacity is increased by screwing the nut down on the rod (and thus shortening the length of the spring).

Loosen the nut (4) which retains the bracket (5) and then turn the nut (6) so that the length "A" of the spring (2) is:

➤ **mechanical drive models**  
43.5 - 45.5 mm

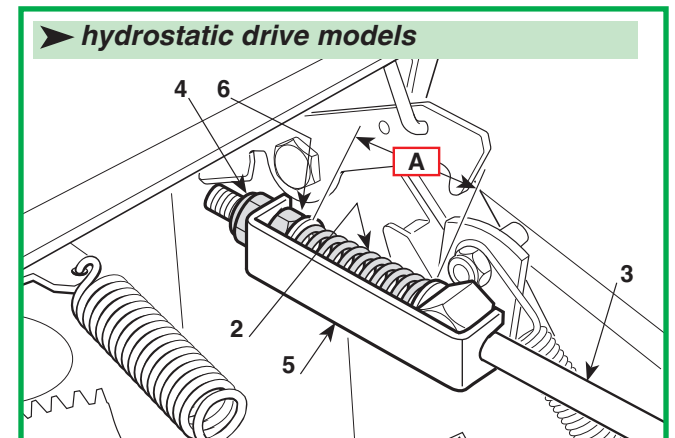
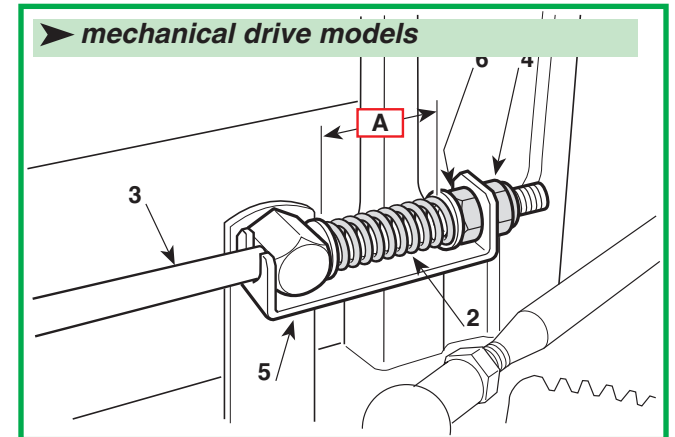
➤ **hydrostatic drive models**  
40 - 42 mm

measured from the inside of the washers. When the adjustment has been made, tighten the nut (4).

Never go under these amounts to avoid overloading the brake unit.



When the adjustments have been made, the parking brake should prevent the lawn-tractor from moving on a slope of 30% (16°) with the driver in position.



# WORKSHOP MANUAL

## 4.2.0 BRAKE ADJUSTMENT

2 / 2

### General informations:

Reduced braking power is corrected by adjusting the spring on the brake rod.

### Related topics:

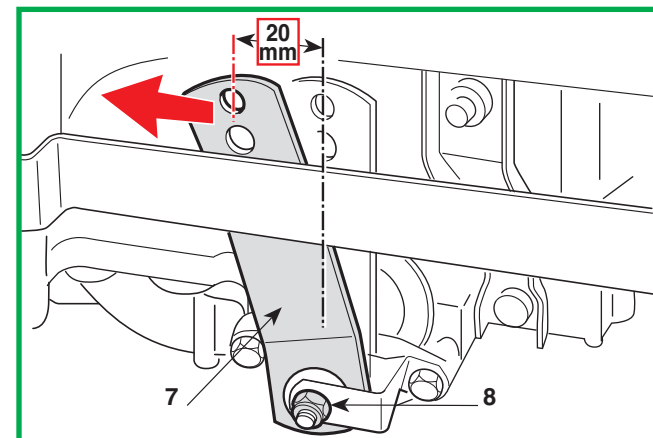
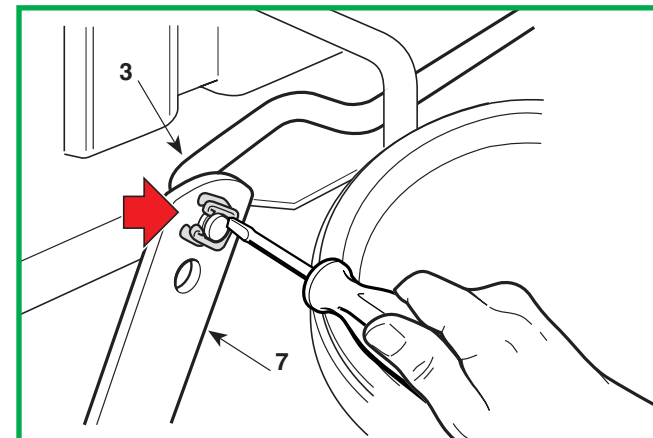
- [🔧 1.1] Identification of transmission unit
- [🔧 5.6] Removal of the rear axle  
Dana 4360-211
- [🔧 5.6a] Removal of the rear axle  
Hydro-Gear T2-ADED-2X3C-1PA1
- [🔧 6.10] Replacement of the brake pads and disc (➤ *in mechanical drive models*)

### ➤ *mechanical drive models*



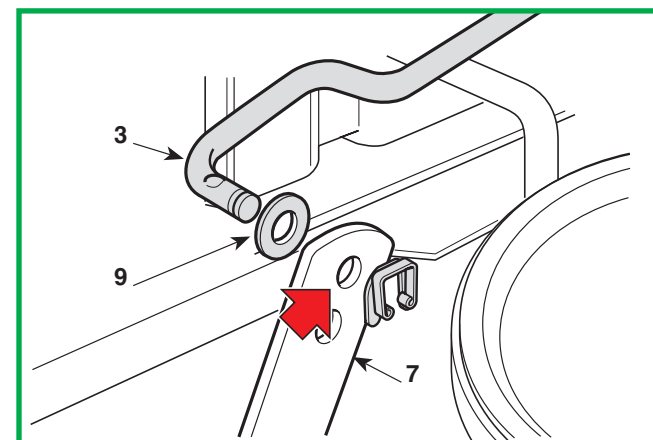
If braking is still poor or uneven even after having made the adjustment, remove the control rod (3) from the lever (7) and check that this lever has a free movement of 20 mm (measured vertically next to the pin rod) before beginning the braking action. If this is not the case, the free movement can be adjusted with the screw (8), unless the brake pads or discs are so worn that they need replacing.

When connecting the rod (3) be sure to use the uppermost hole (9) in the lever (7) and then check the length of the spring again (2).



### ➤ *hydrostatic drive models*

If braking is still poor or unsteady even after making the adjustment, you cannot make any further adjustments from the outside. Therefore you need to dismantle the whole rear axle of the machine and contact one of the manufacturer's Service Centres.





# WORKSHOP MANUAL

## 4.3.0 DRIVE BELT ADJUSTMENT

1 / 1

### General informations:

*If it seems that the forward drive is not working properly after a long period of use or after replacing the belt, this may be caused by a change in the length of the belt.*

- A loose belt reduces output from the transmission and limits forward movement power;
- a belt which is too tight increases noise and results in jerky movements or tipping up when engaging the drive.

*In these cases the stretcher will need to be adjusted.*

### Related topics:

[🔧 6.4] Replacement of the drive belt

The adjustment spring can be accessed by removing the inspection hatch (1).

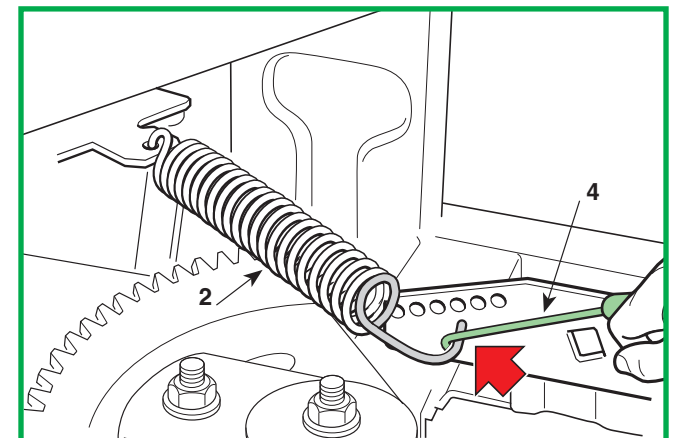
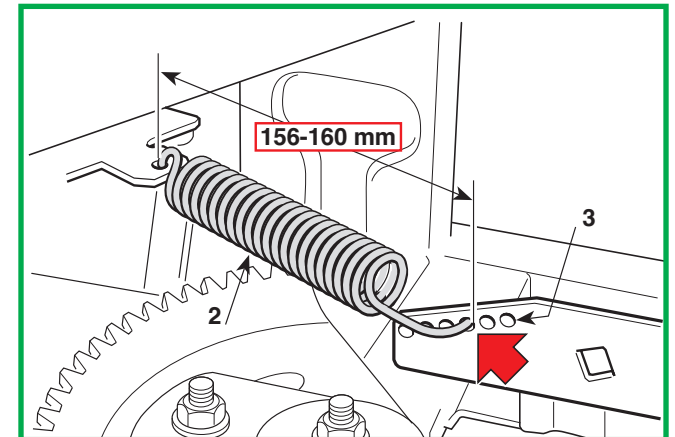
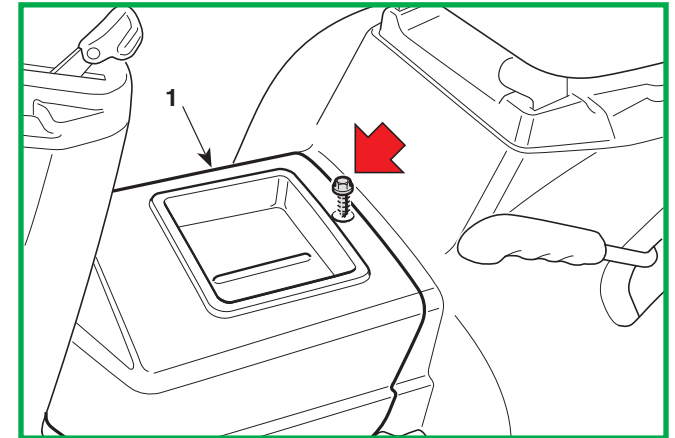
Correct spring tension (2) is obtained by moving the hook to one of the slots (3) until a measure "A" is obtained,

**156-160 mm**

measured on the outside of the fittings, with the transmission commands disengaged and parking brake off.



Moving the spring (2) requires a certain effort and is easier when a specific tool (4) is used to hook and move the end of the spring.



# WORKSHOP MANUAL

## 4.4.0 DRIVE PEDAL ADJUSTMENT

1 / 2

### General informations:

*This operation should be carried out every time the rear axle, the pedal or the control rod is removed in order to get the correct travel for the pedal and to enable reaching the envisaged speeds both forwards and in reverse.*

### Related topics:

[👁️ 7.10] Fitting safety microswitches

### ► hydrostatic drive models

All the adjustment elements can be accessed by removing the inspection hatch (1).

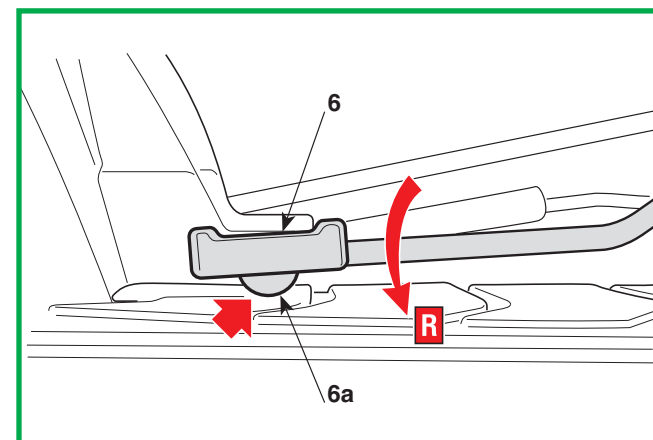
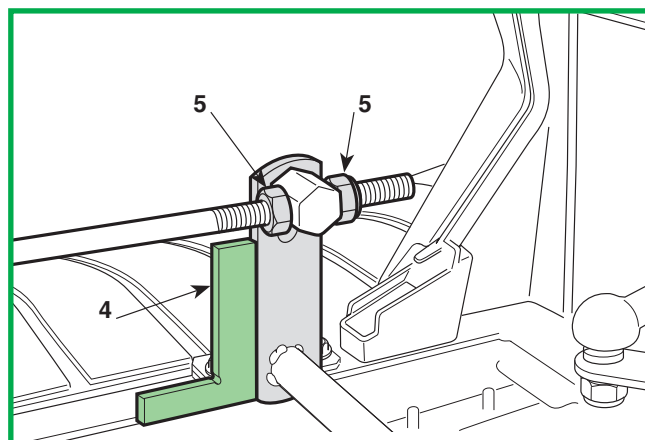
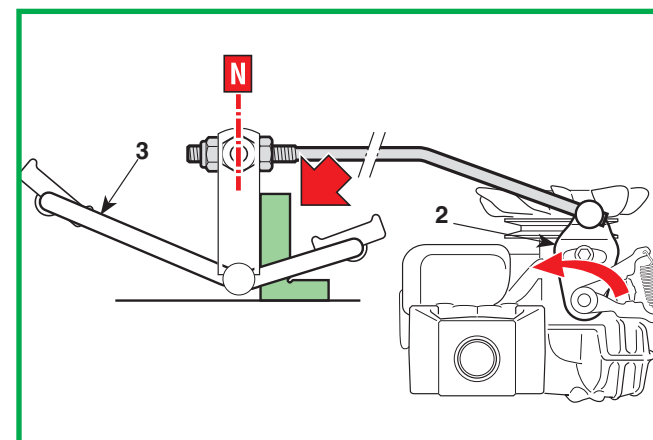
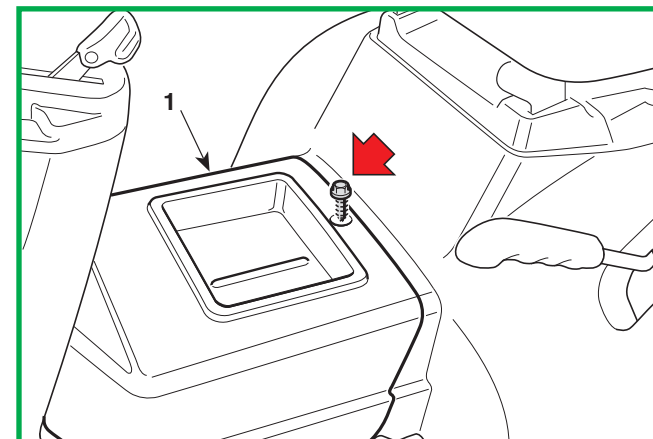
#### A) Adjusting the pedal in the “neutral” position

Regulating consists of adjusting the position of the pedal (3) with the hydrostatic group lever (2), which is brought to the forward maximum speed position by a spring.

To get the speeds that both forward and reverse gears provide (and consequently determine the “neutral” position for the pedal), it is necessary that the inner lever (3) on the pedal axis is located perfectly vertical with the lever (2) of the hydrostatic unit in “neutral”.

This is obtained using a bracket (4), by working on the nuts (5) until reaching the desired situation, taking care not to accidentally change the position of the lever (3) during adjustment.

When adjustment has been completed, move the pedal (6) to the reverse position and check that the lower section (6a) touches the footboard.



# WORKSHOP MANUAL

## 4.4.0 DRIVE PEDAL ADJUSTMENT

2 / 2

### General informations:

*This operation should be carried out every time the rear axle, the pedal or the control rod is removed in order to get the correct travel for the pedal and to enable reaching the envisaged speeds both forwards and in reverse.*

### Related topics:

[👁️ 7.10] Fitting safety microswitches

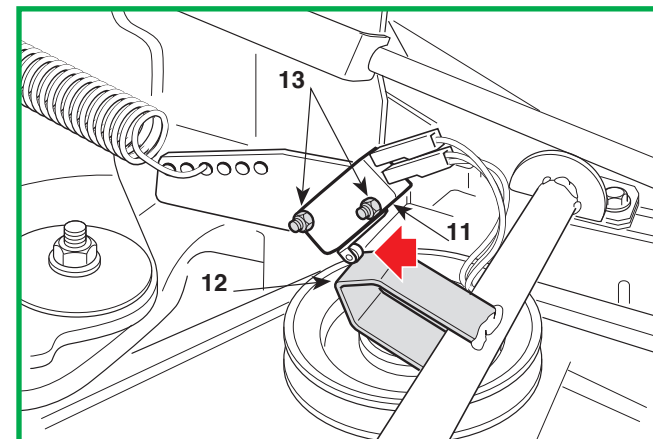
### B) Adjusting the “neutral” position of the microswitch

⚠️ This is a very important adjustment for the operation of the safety devices regarding permitting starting and stopping of the machine during work.

The neutral position "N" is signalled by the microswitch (11) of the cam (12).

After checking that the adjustment “A” has been correctly completed, make sure that the pedal is released and in neutral "N" then loosen the fastening screws (13) of the microswitch and position it in line with the tip of the cam, so that it stays pressed down.

By moving the pedal to the forward gear, neutral position and reverse gear you should hear the click of the button at each gear change before the wheels start moving.



# WORKSHOP MANUAL

## 4.5.0 ALIGNING THE CUTTING DECK

1 / 2

### General informations:

The cutting deck is lowered by a level controlled cable, and is moved by two trace rods at the front and back.

In order to get a good cut it is essential that the cutting deck is parallel with the ground crosswise, and slightly lower at the front.

Three adjustments can be made on the jointed system of the cutting deck:

- a) a combined adjustment to the parallel and the minimum height front and back
- b) an adjustment to just the parallel across the cutting deck
- c) adjusting the regularity of raising and lowering.

### Related topics:

[🔧 2.2] Special tools

[🔧 5.2] Removal of the side guards (if provided)

### Tyre pressures

Front	..... (Tyres 13 x 5.00-6)	1.5 Bar
	..... (Tyres 15 x 5.00-6)	1.0 Bar
Rear	.....	1.2 Bar

Check the tyre pressures. If one or more tyres have been replaced and there are found to be differences in diameter, **do not attempt to compensate these differences by giving different tyre pressures**, but make the adjustments as in points "A" and "B".

- Remove the left and right side guards (if provided).

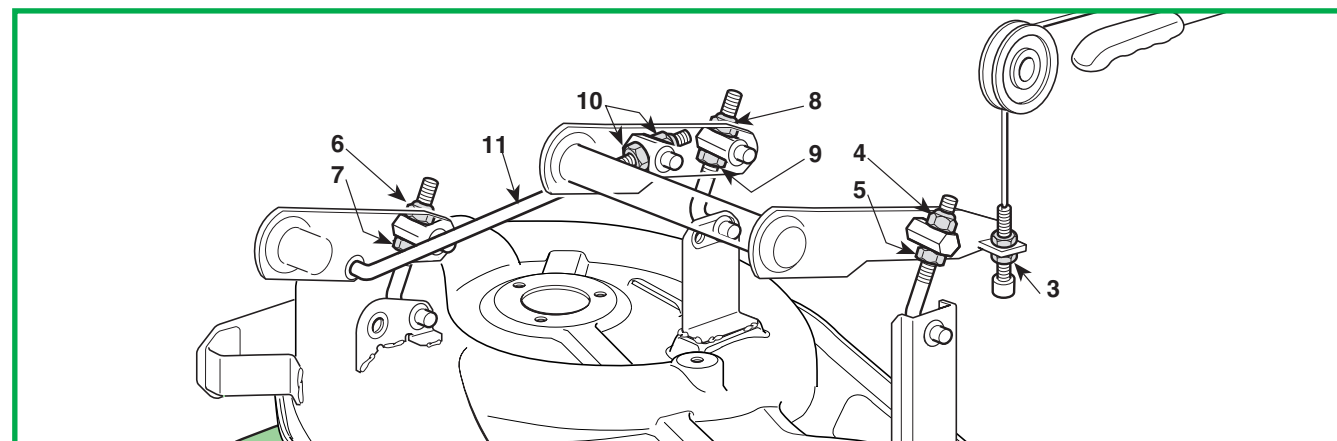
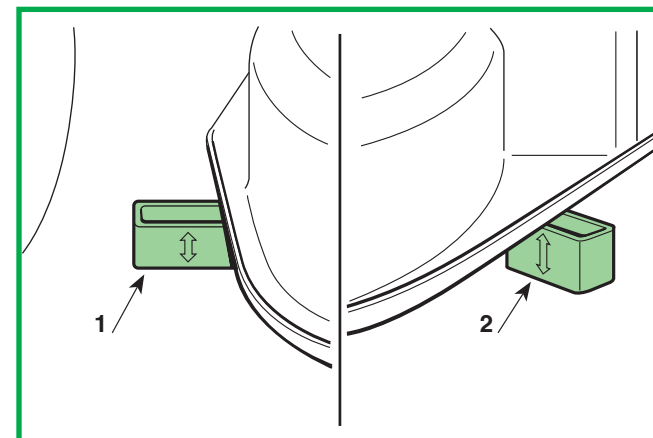
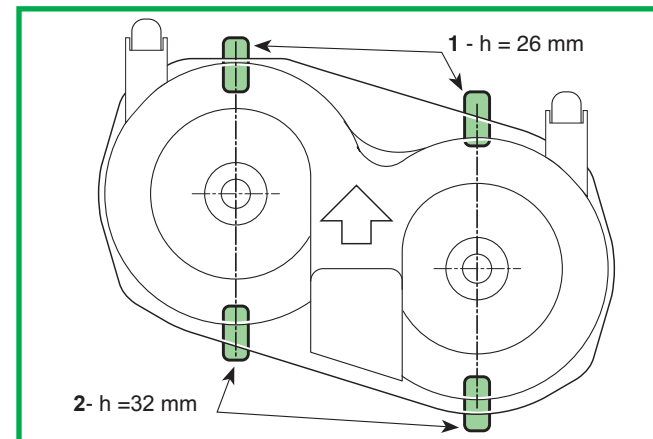
### A) The combined adjustment to the parallel and the minimum height front and back

Put the lawn-tractor onto a flat and stable surface (such as a work bench) and put blocks beneath the cutting deck in line with the centre lines of the blades:

- at the front 26 mm (1)
- at the rear 32 mm (2)

Put the height lever in position «1» and completely loosen the adjuster (3), the nuts (4 - 6 - 8) and the lock-nuts (5 - 7 - 9) of the three trace rods until the deck is resting on the blocks.

Turn the adjuster (3) until the control cable is taut.



# MANUALE D'OFFICINA

## 4.5.0 ALIGNING THE CUTTING DECK

2 / 2

### General informations:

The cutting deck is lowered by a level controlled cable, and is moved by two trace rods at the front and back.

In order to get a good cut it is essential that the cutting deck is parallel with the ground crosswise, and slightly lower at the front.

Three adjustments can be made on the jointed system of the cutting deck:

- a) a combined adjustment to the parallel and the minimum height front and back
- b) an adjustment to just the parallel across the cutting deck
- c) adjusting the regularity of raising and lowering.

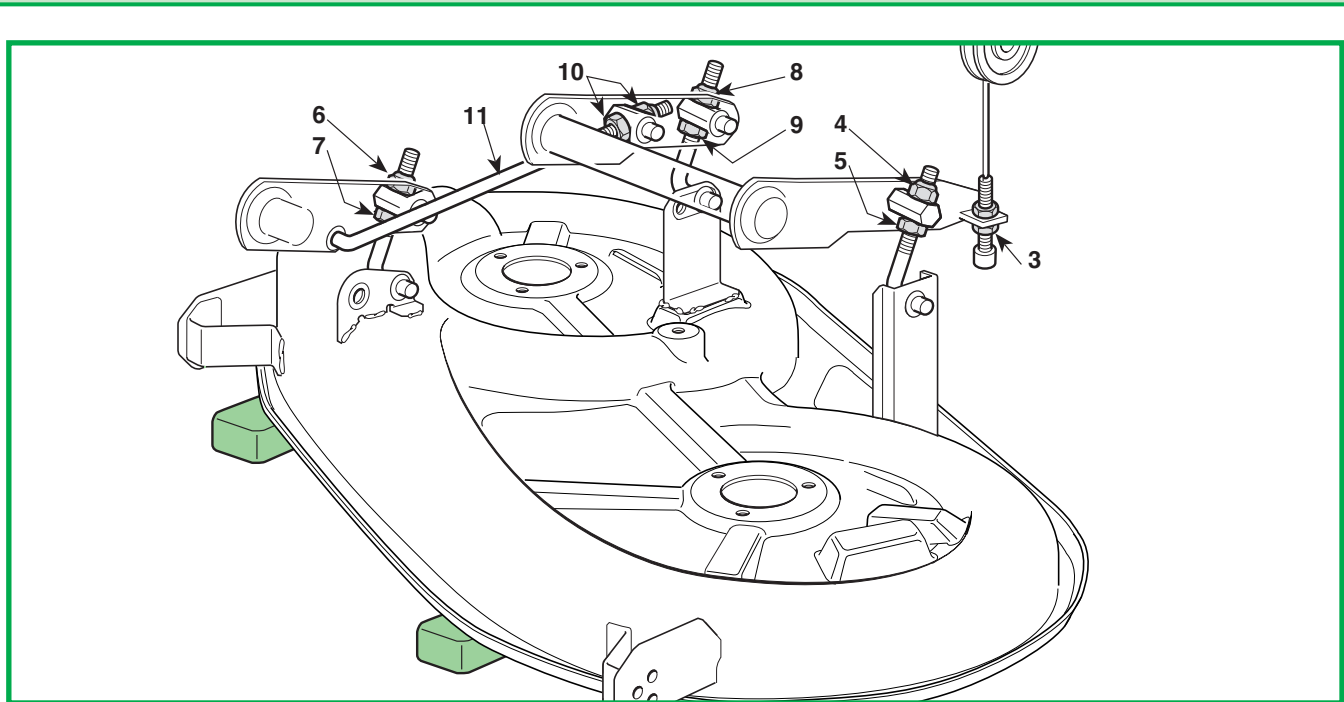
### Related topics:

[🔧 2.2] Special tools

[🔧 5.2] Removal of the side guards (if provided)

### Tyre pressures

Front	..... (Tyres 13 x 5.00-6)	1.5 Bar
	..... (Tyres 15 x 5.00-6)	1.0 Bar
Rear	.....	1.2 Bar



Tighten the two right upper nuts (6 - 8) and the left upper nut (4) to the point where the deck just begins to lift, then tighten the three locknuts (5 - 7 - 9).

Check that the deck rises and lowers regularly as indicated in point «C».

### B) Adjusting the parallel across the cutting deck

Any difference in height from the ground between the left and right sides of the deck can be compensated by turning the two nuts (4 - 8) and locknuts (5 - 9) **of just the back rods.**

### C) Adjusting the regularity of rising and lowering

When the adjustment as at point «A» has been made, put the control lever in 2 or 3 different positions and

check that the deck rises evenly and that at each position it constantly maintains the difference in height from the ground between the front and back edges.

If the front part tends to rise faster or slower it can be adjusted by turning the nuts (10) on the link rod (11).

Turning the nuts clockwise will lift the front part and make it rise faster, and turning anti-clockwise will give the opposite effect.

Remember to tighten all the nuts and locknuts once these adjustments have been made.



- Reassemble the right and left side guards (if provided).

# WORKSHOP MANUAL

**4.6.0  
ADJUSTING  
THE STEERING PLAY**

1 / 1

**General informations:**

*Steering play must never be excessive in order not to effect driving precision.*

**Related topics:**

---

**Tightening torques**

<b>3</b> Nut for ring gear .....	25 ÷ 30 Nm
----------------------------------	------------

Check that the steering play is not caused by the slackening off of the tie-rod system and fully tighten all the tie-rod and ball joint nuts.

If the play is due to the crown wheel/pinion pairing, the position of the spacer, fitted to lift the crown wheel and reduce the gap between the teeth, must be changed.

Remove the inspection hatch (1).

Unscrew the nuts (2) and (3) and remove the two cup washers (4) and (5) and the guide (6).

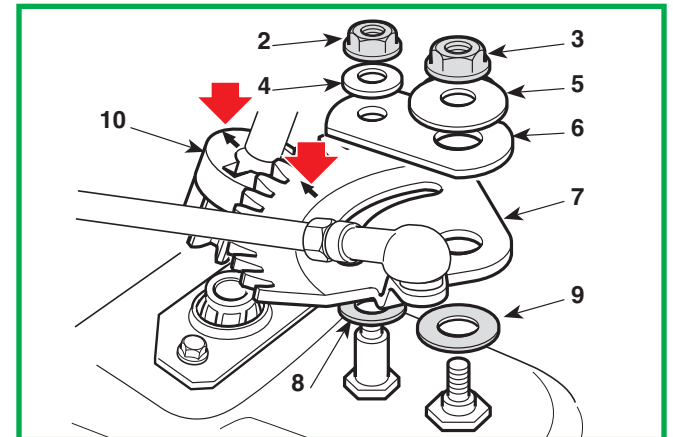
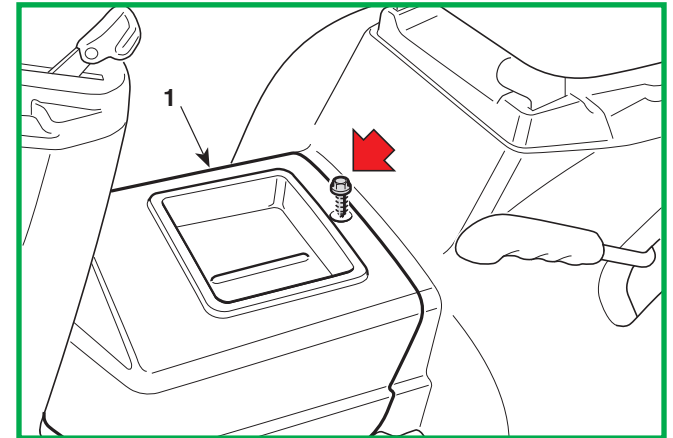
Remove the ring gear (7) and fit the two block washers (available as spare parts) (8) and (9) under it so as to place it in a higher position with respect to the pinion (10), reducing the gap between the teeth.



Reassemble the ring gear matching the two references (→), punched on the ring gear (7) with the pinion (10) in the drive direction.

Reassemble the nuts (2) and (3), tightening them to load the cup springs (4) and (5) as much as need to ensure steering manageability, without creating excessive play.

If the addition of a block (8) and another block (9) do not eliminate the play between ring gear pinion teeth, replace them since other block may not be added.



# WORKSHOP MANUAL

## 4.7.0 STEERING GEOMETRY ADJUSTMENT

1 / 1

### General informations:

The correct steering geometry is given by the values of the centre distance between the joints of the tie-rod and the wheel connection rod. Any faults caused by knocks or accidents result in reduced driving precision and increased wear on the tyres. These can be overcome as follows:

- uneven or excessive wear on the front tyres  
= incorrect toe-in
- the lawn-tractor does not maintain a straight line when the steering wheel is straight  
= adjustment of tie-rod.

### Related topics:

---

### Tightening torques

2 Connection rod fastening nuts ..... 25 ÷ 30 Nm

8 Nut for articulated joint ..... 45 ÷ 50 Nm

### NOTE

Before any other action, check that the joint fastenings have not become loose.

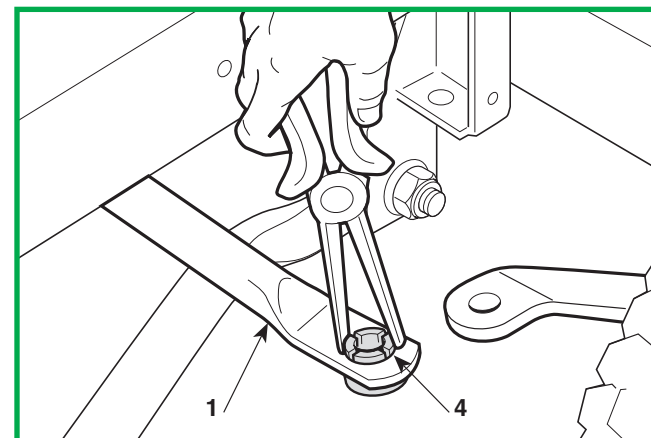
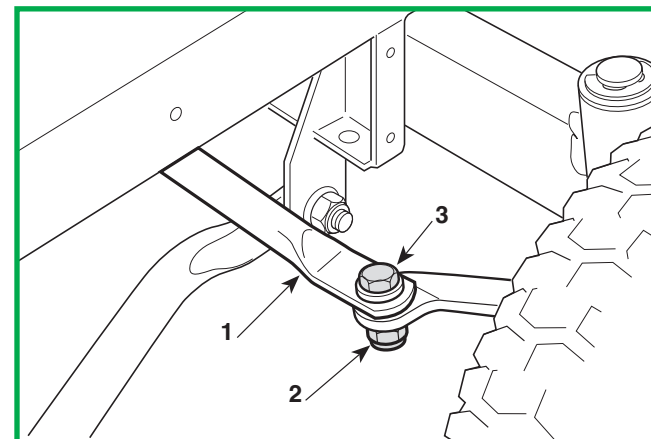
### A) Toe-in check

The gap between the connection rod holes (1) on the wheels ensures correct front wheel toe-in check without requiring adjustment.

Toe-in check may only change due to rod deformation (1) or due to spindle bushing wear.

To replace, unscrew the nut (2) with the screw (3) and remove the bushing (4) using pliers.

Click the new bush (4) and tighten the nut (2) to the prescribed value.

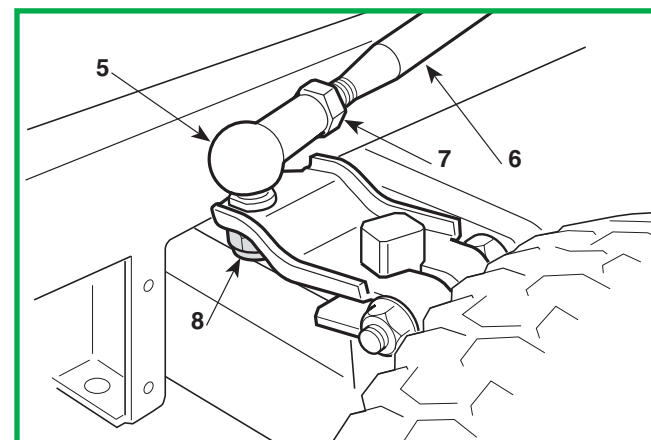


### B) Adjustment of the steering wheel

Check that the toe-in is correct (point «A») and align the front wheels.

If the steering wheel is not straight, dismantle the articulated joint (5) and screw down or up on the tie-rod (6) for the necessary amount.

On assembly, fully tighten the locknut (7) and the fastening nut (8).



# WORKSHOP MANUAL

## 4.8.0 CHECKING BLADES ALIGNMENT

1 / 1

### General informations:

Excessive vibration when cutting and an uneven cut can be due to misalignment of the blades owing to deformation of the flanges or the shafts as a result of accidental knocks.

### Related topics:

[👁️ 2.3] Lifting and lower accessibility

[👁️ 6.6] Replacement of the supports and shafts of the blades

- Put the machine into a vertical position



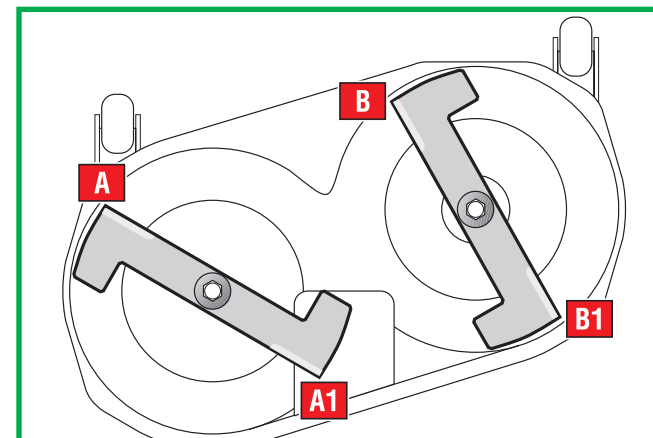
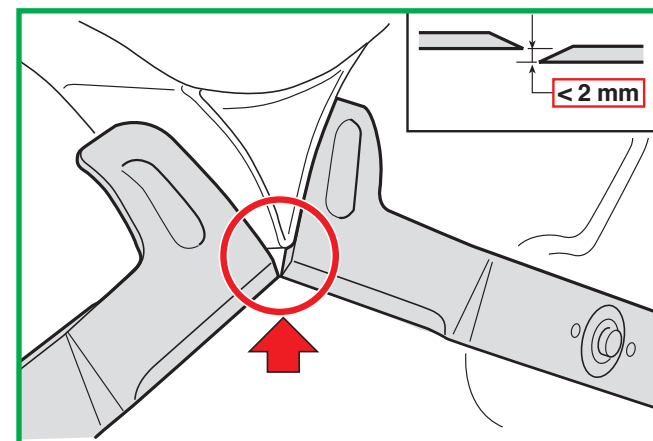
**Always wear strong gloves when handling the blades.**

With the blades disengaged, firmly hold each blade and bring the cutting edges together in the various positions possible (A-B; A-B1; A1-B1; A1-B). At each position they should be aligned to within 2 mm.

If higher amounts are found, check that the blades are not distorted. If this is not the case, check the supports or the shafts for the blades [see 6.9], replacing if necessary, and check the condition of the point where the flange rests on the cutting deck.



**Always replace damaged blades and do not attempt to repair or straighten them. Always use manufacturer's genuine spare parts!**





# WORKSHOP MANUAL

**4.9.0**  
**REMOVING, SHARPENING**  
**AND BALANCING THE BLADES**

1 / 2

**General informations:**

*A badly sharpened blade causes grass to become yellow and reduces grass collection capability. If not balanced, excessive vibration can be caused during use.*

**Related topics:**

---

**Tightening torques**

**1a** Screw for left blade ..... 45 ÷ 50 Nm

**1b** Screw for right blade ..... 45 ÷ 50 Nm



**Always wear protective gloves when handling the blades and protect eyes when sharpening.**

**A) Removing and reassembling**

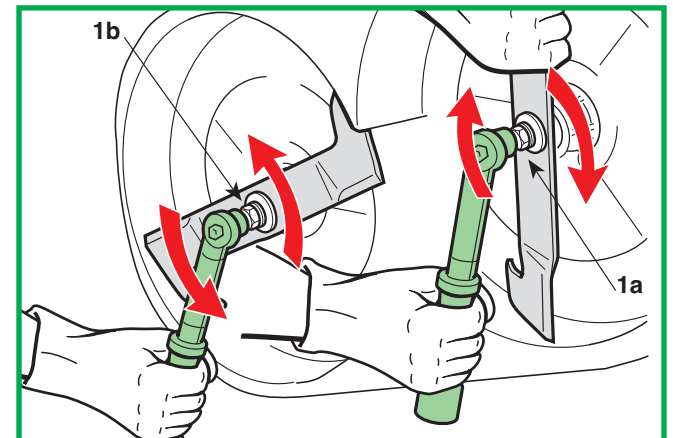
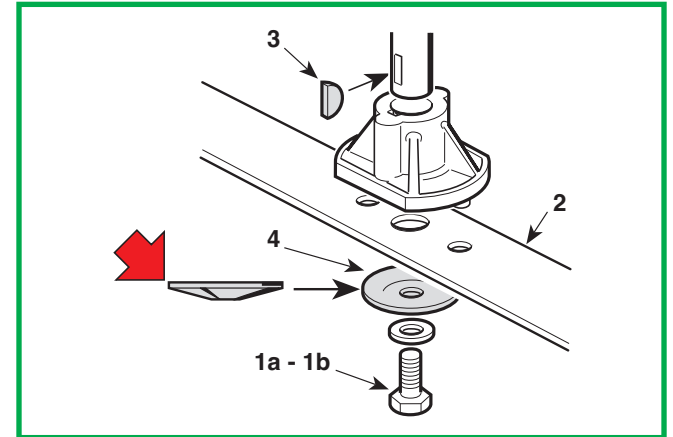
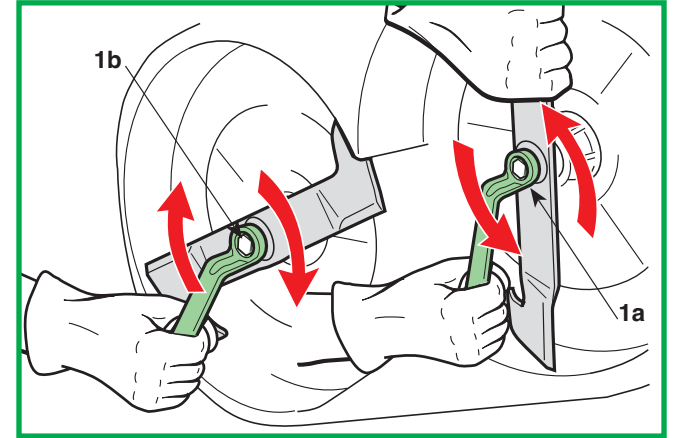
For removing a blade it must be firmly held and the central screw undone, bearing in mind that:

- the screw on the left blade (1a) is unscrewed anti-clockwise
- the screw on the right blade (1b) is unscrewed clockwise.



On assembly, be careful to:

- correctly position the keys (3) on the shafts;
- correctly locate the blades, with the fins facing towards the inside of the plate;
- fit the flexible disc (4) so that the concave part is pressing against the knife;
- tighten the screws (1a – 1b) with a torque wrench set to 45-50 Nm.



# WORKSHOP MANUAL

**4.9.0**  
**REMOVING, SHARPENING**  
**AND BALANCING THE BLADES**

2 / 2

**General informations:**

*A badly sharpened blade causes grass to become yellow and reduces grass collection capability. If not balanced, excessive vibration can be caused during use.*

**Related topics:**

---

**Tightening torques**

**1a** Screw for left blade ..... 45 ÷ 50 Nm

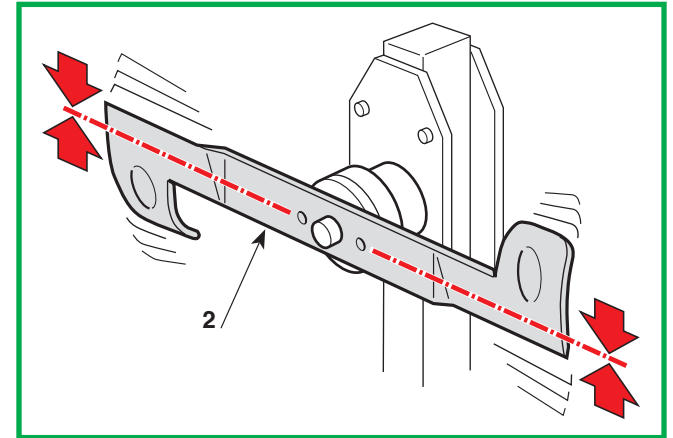
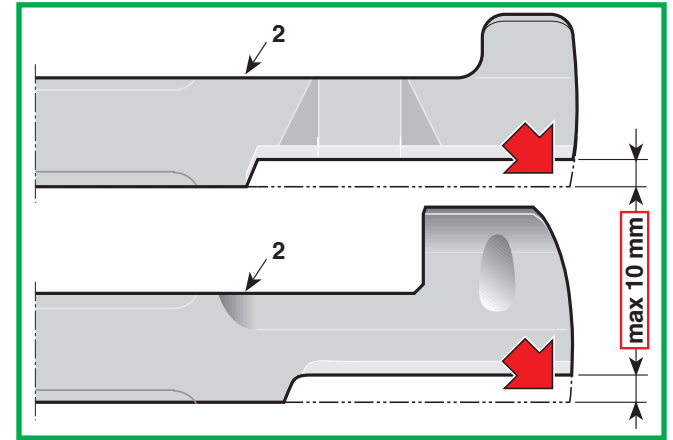
**1b** Screw for right blade ..... 45 ÷ 50 Nm

**B) Sharpening and balancing**

Always sharpen both cutting edges of the blade (2) using a medium grade grinder. Sharpening must only be done from the rounded side, removing as little as possible.

The blade is to be replaced when the cutting edge has worn down to 10 mm.

Using the appropriate equipment, check the balance to make sure that there is a maximum difference of 2 grams between one side and the other.



# WORKSHOP MANUAL

## 5.1.0 REMOVAL OF FRONT HOOD

1 / 1

### General informations:

The removal of the front hood gives greater accessibility to:

- the engine and its accessories
- the silencer and protection devices.

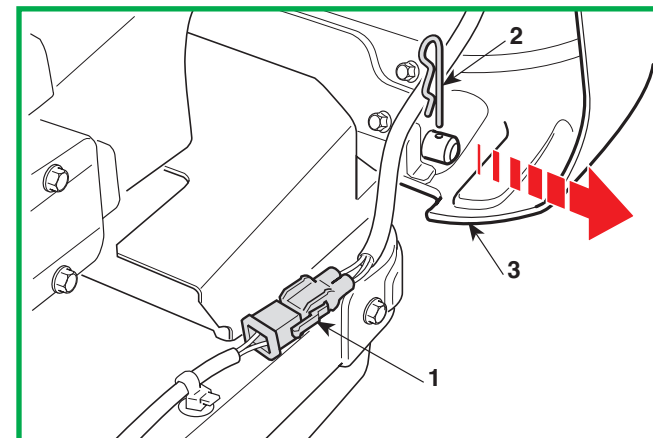
### Related topics:

---

#### ► models with lights

Disconnect the connector (1).

Take out the split pin (2) from the right-hand side and remove the hood (3) by moving it to the right.



# WORKSHOP MANUAL

## 5.2.0 REMOVAL OF THE SIDE GUARDS (if provided)

1 / 1

### General informations:

The removal of side guards allows access to the blades command belt and cutting deck adjusting keys.

### Related topics:

---

### Tightening torques

3 - 4 - 5 Guards fastening screws ..... 8 ÷ 10 Nm

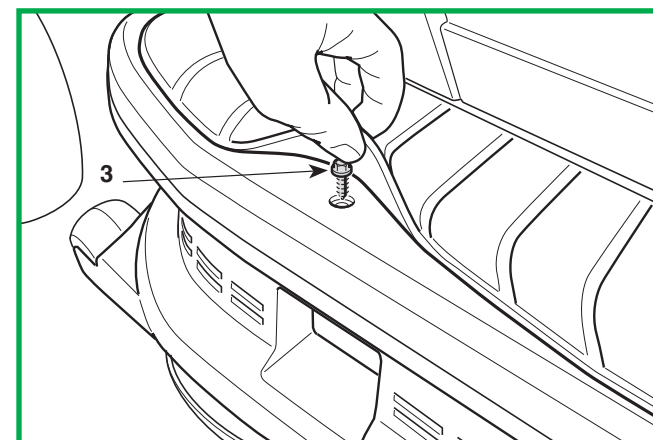
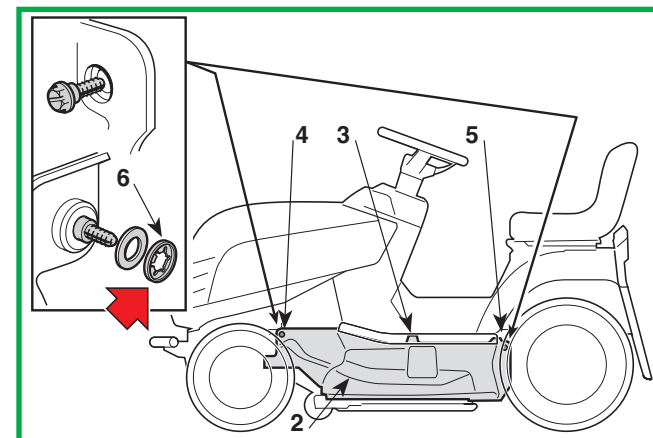
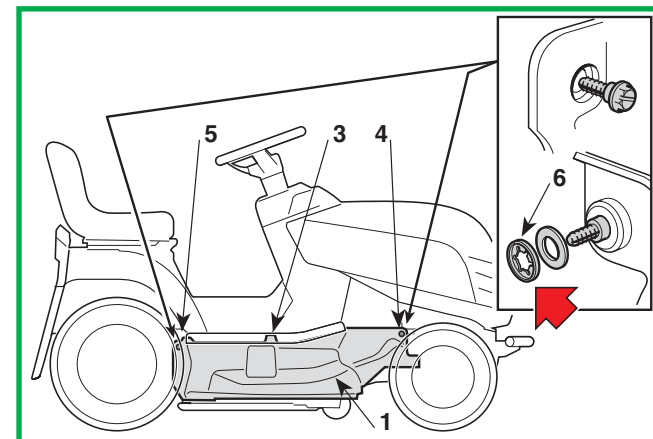
Each guard (1 - right) or (2 - left) is fastened by:

- 1 top self-tapping screw (3),
- 1 front self-tapping screw (4),
- 1 rear self-tapping screw (5),

The front self-tapping screws (4) and rear (5) are held with a ring gear fastener (6) that keeps them inserted in the respective seats.



**IMPORTANT** - When assembling, ensure fasteners are used, being essential to allow disassembly and re-assembly of the guards by user, without jeopardizing the safety of the machine.



# WORKSHOP MANUAL

## 5.3.0 REMOVAL OF THE WHEEL COVER

1 / 2

### General informations:

Complete removal of the wheels cover is required for its replacement and to access seat micro switch, placed below the two springs support cross-piece.

### Related topics:

[👁️ 5.2] Removal of the side guards (if provided)

- Remove the left and right side guards (if provided).

Remove the inspection hatch (1).

Bring the cutting deck to the highest position «7».

Remove the covering caps (2) and unscrew the two nuts (3) to remove the seat and the relative support plate (4).

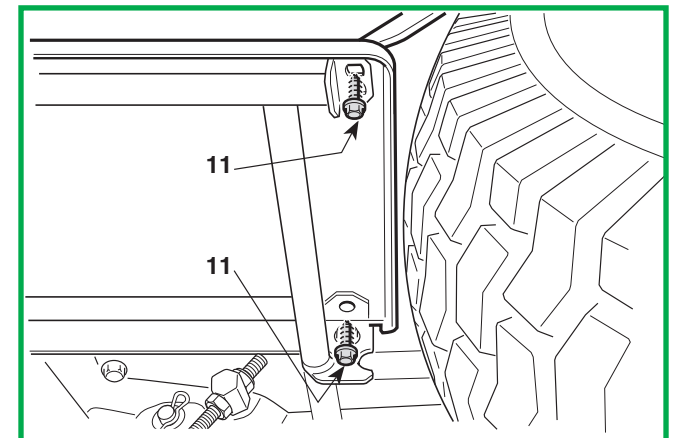
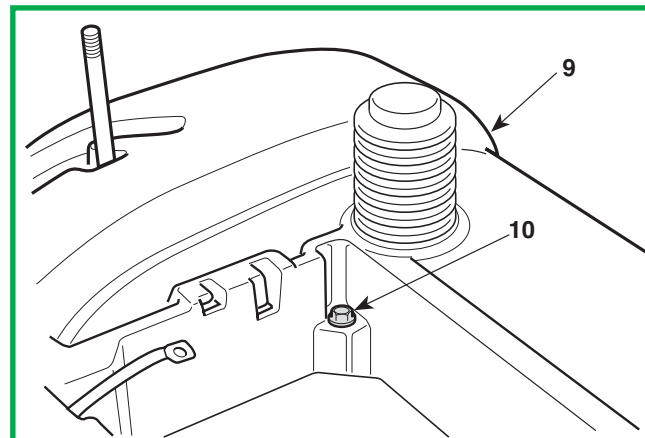
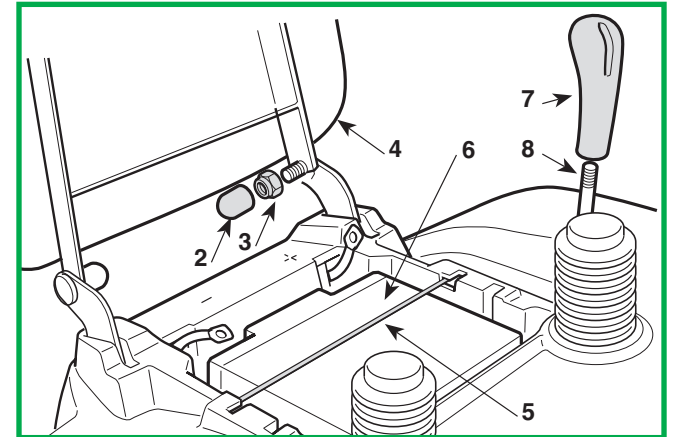
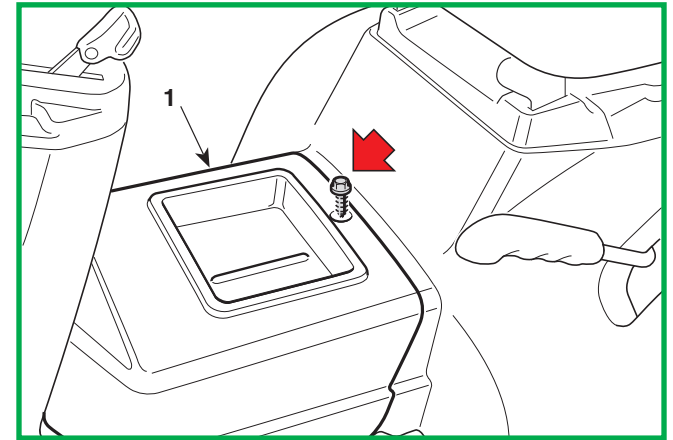
Take off the spring (5) which holds the battery (6), taking care to prevent it accidentally short-circuiting. Disconnect and remove the battery (6).

### ➤ mechanical drive models

Remove the gear lever knob (7) from the lever (8).

The cover (9) is held by:

- 2 screws (10) inside the battery compartment,
- 4 lower screws (11) (2 for each side) located under the external edge of the foot boards,
- 6 rear screws (12).



# WORKSHOP MANUAL

## 5.3.0 REMOVAL OF THE WHEEL COVER

2 / 2

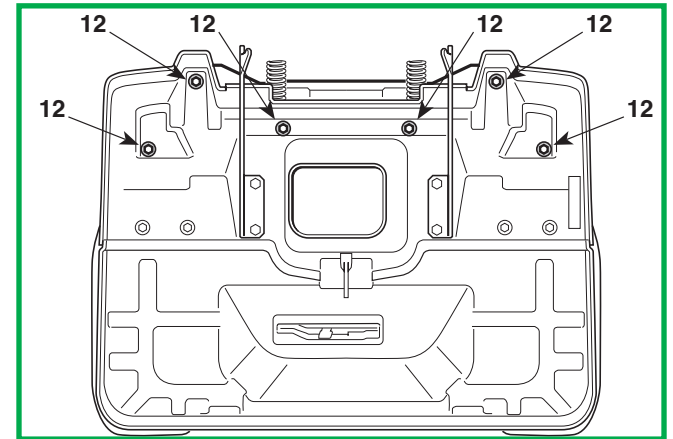
### General informations:

*Complete removal of the wheels cover is required for its replacement and to access seat micro switch, placed below the two springs support cross-piece.*

### Related topics:

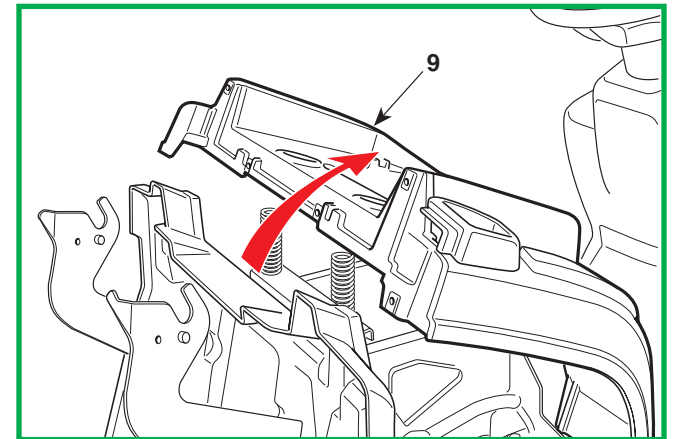
[👁️ 5.2] Removal of the side guards (if provided)

The removal of the cover (9) is facilitated by pushing it forward and simultaneously by lifting it from the rear.



On assembly, follow the procedures described above in reverse order.

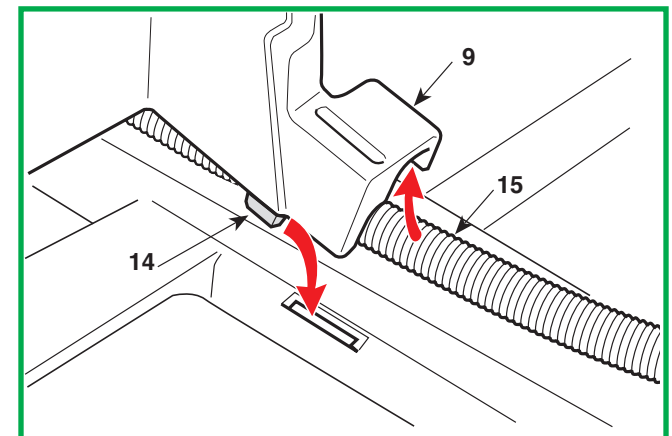
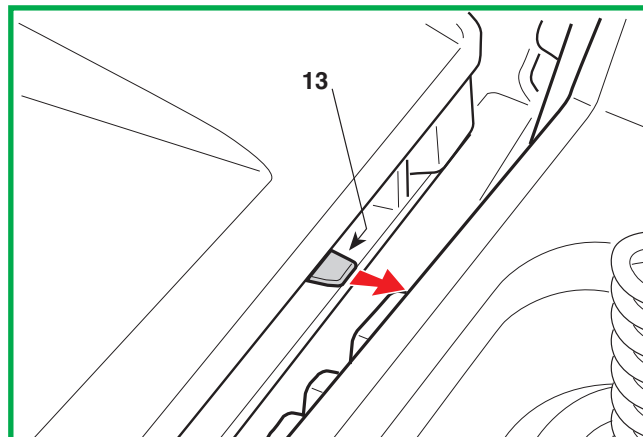
Be careful to correctly reassemble the fitting (13) and properly insert the two side tongues (14) of the cover in the seats from the foot boards.



Correctly reposition the wiring sheath (15) in its housing on the right side of the cover.



- Reassemble the right and left side guards (if provided).



# WORKSHOP MANUAL

## 5.4.0 REMOVAL OF THE DASHBOARD

1 / 3

### General informations:

*Dashboard removal is only required for its replacement.*

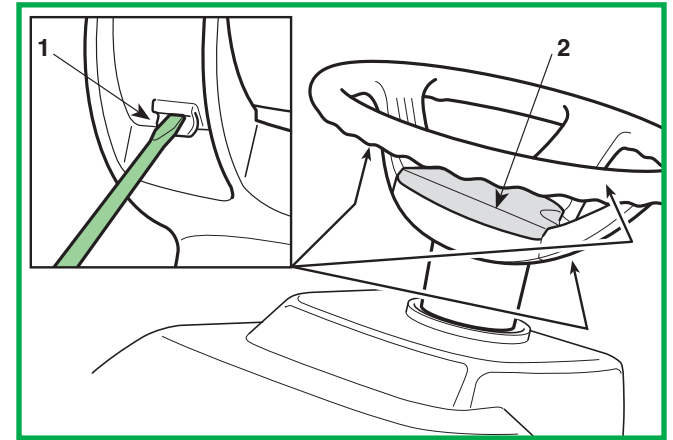
### Related topics:

---

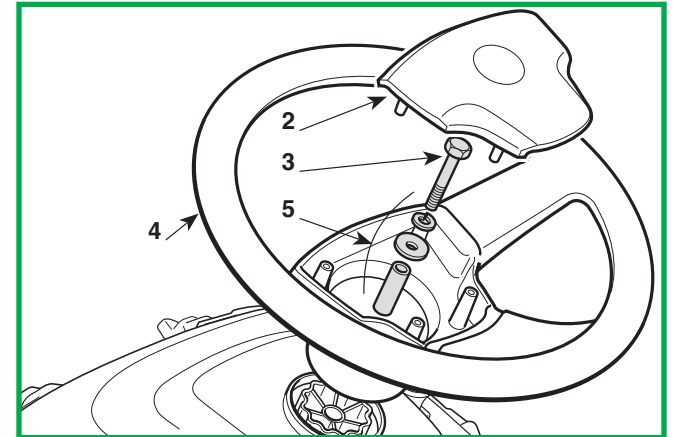
### Tightening torques

11-12-13-14	Dashboard fastening screws	12 ÷ 15 Nm
-------------	----------------------------	------------

Using a screwdriver, unhook the two central hooks and two right and left hooks (1) that secure the steering wheel cover (2).



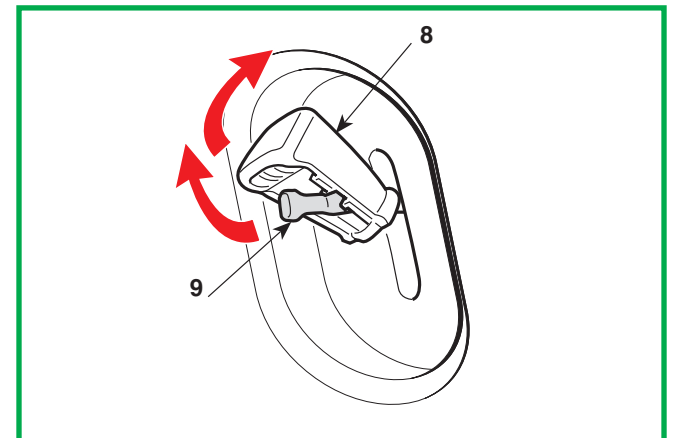
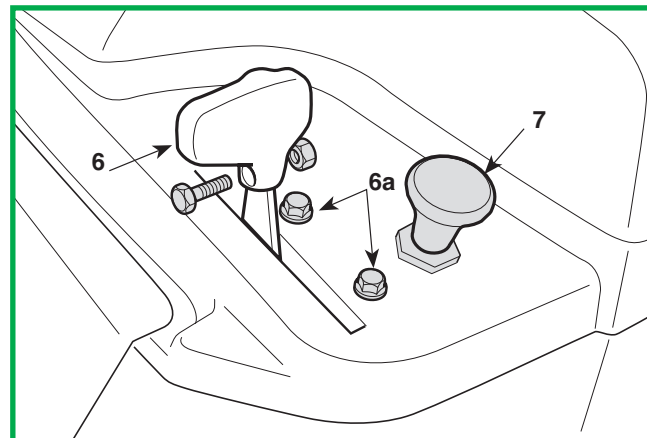
Unscrew the central screw (3) and remove the steering wheel (4) making sure to recover the spacer and washer (5).



Unscrew the screw, take off the accelerator knob (6), then unscrew the accelerator fixing screws (6a).

Remove the starter control (7), where appropriate.

Lift the parking brake knob (8) and rotate it 90° to remove it from the wire (9).



# WORKSHOP MANUAL

## 5.4.0 REMOVAL OF THE DASHBOARD

2 / 3

### General informations:

*Dashboard removal is only required for its replacement.*

### Related topics:

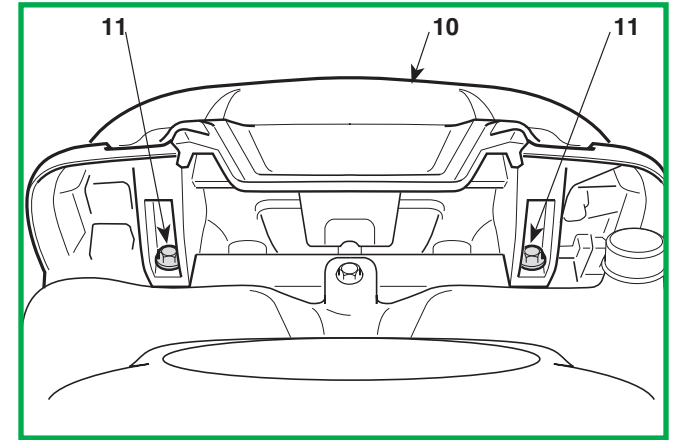
---

### Tightening torques

11-12-13-14 Dashboard fastening screws .....	12 ÷ 15 Nm
--	------------

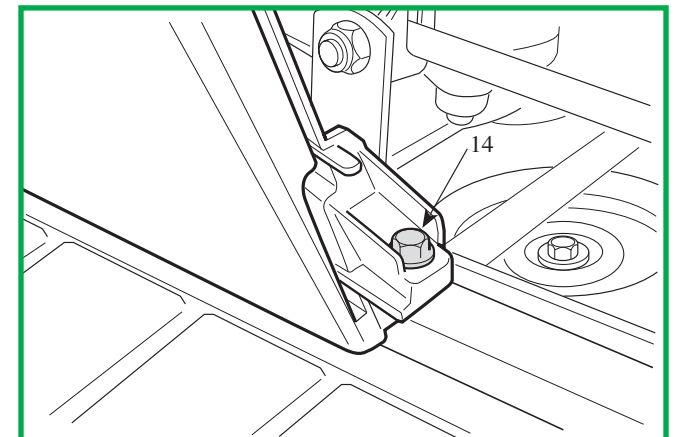
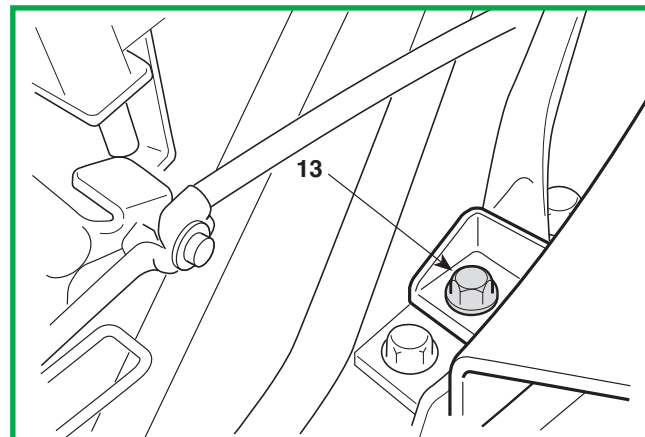
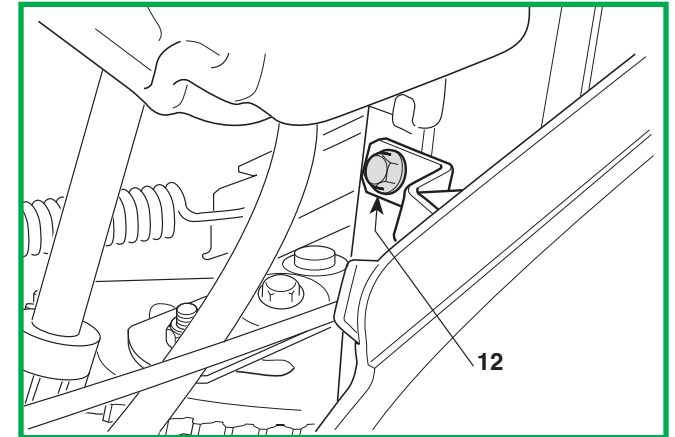
Disconnect all electrical connectors from their respective components:

- ignition key,
- blade engagement clutch switch,
- battery charge connector,
- fuses,
- electronic circuit board.



The dashboard (10) is held by:

- 2 upper frontal screws (11) inside the engine compartment,
- 2 lower frontal screws (12) (1 for each side) located inside the engine compartment,
- 2 lower side screws (13) (1 for each side) located inside the engine compartment,
- 2 lower screws (14) (1 for each side) accessible after removing the central cover.





# WORKSHOP MANUAL

## 5.4.0 REMOVAL OF THE DASHBOARD

3 / 3

### General informations:

*Dashboard removal is only required for its replacement.*

### Related topics:

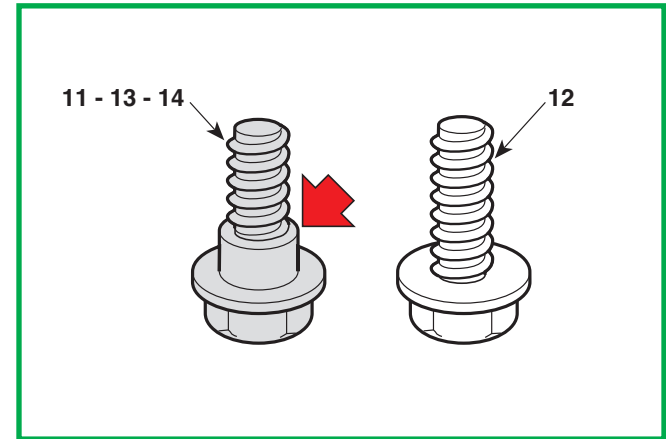
---

### Tightening torques

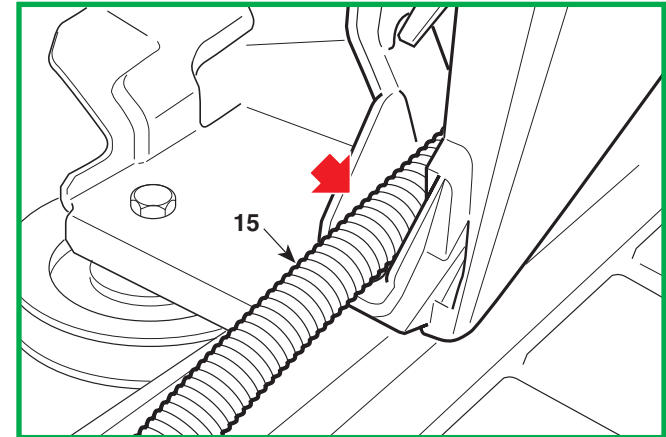
11-12-13-14	Dashboard fastening screws	12 ÷ 15 Nm
-------------	----------------------------	------------

For assembly follow the operations described above in reverse order, making sure not to confuse the order of the screws (11) - (12) - (13) - (14) since:

- screws (11) - (13) - (14) have a stop that optimises use for plastic components;
- screws (12) do not have stops and are suited for metallic components.



Correctly reposition the wire sheath (15) in its housing on the lower right-hand side of the dashboard.



# WORKSHOP MANUAL

## 5.5.0 REMOVAL OF THE ENGINE

1 / 3

### General informations:

Since there are different types of drive, the stages described here refer to those shared or similar in all types of engine.

### Related topics:

[👁 5.1] Removal of front hood

[👁 6.7] Replacing the accelerator and adjusting the carburettor

### Tightening torques

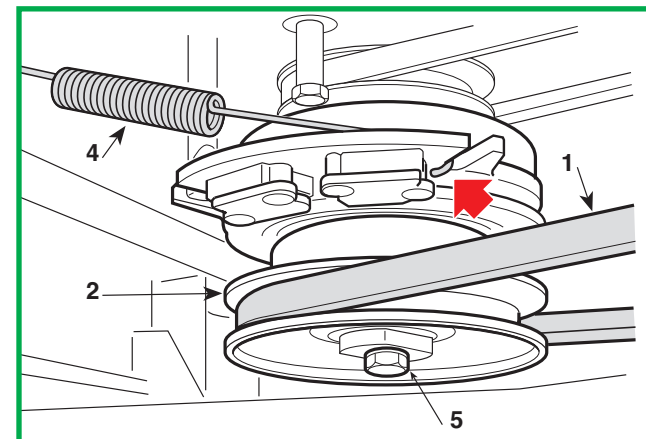
5 Screw for pulley .....	45 ÷ 50 Nm
– Screws for engine fastening .....	35 ÷ 40 Nm

- Remove the front hood.

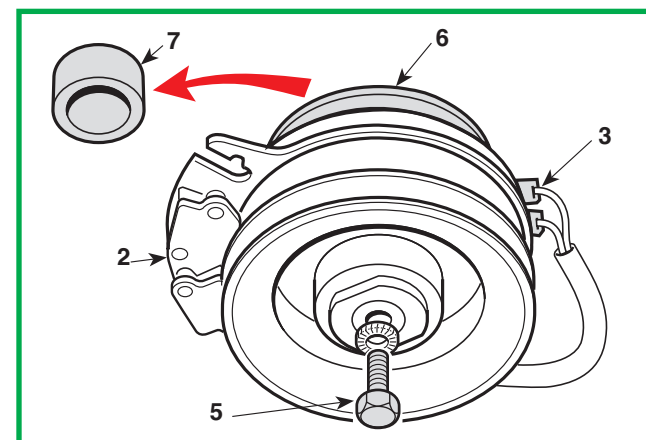
For greater operating convenience it is recommended that the transmission belt is slacked off; this is done by.



FIRST disconnect the black earth cable from the battery, and THEN the red cable, to prevent possible short circuits and dangerous situations.



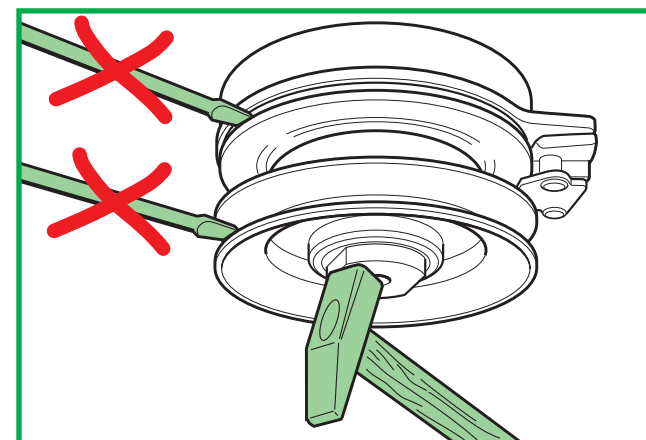
Free the blade belt (1) from the clutch pulley (2).



Disconnect the connectors (3) from the clutch contacts (2), unhook the return spring (4) from the clutch side and unscrew the central screw (5) with the help of a power screwdriver.

Remove the clutch (2) from the shaft, together with the transmission command pulley (6) and the spacer (7).

**IMPORTANT** - To remove the clutch (2) from the engine shaft, **absolutely do not use a lever to force the pulleys or the outer cover**. In case of difficulty, apply an unlocking spray and gently tap on the hub with a hammer, to facilitate extraction.



# WORKSHOP MANUAL

## 5.5.0 REMOVAL OF THE ENGINE

2 / 3

### General informations:

Since there are different types of drive, the stages described here refer to those shared or similar in all types of engine.

### Related topics:

- [ 5.1 ] Removal of front hood
- [ 6.7 ] Replacing the accelerator and adjusting the carburettor

### Tightening torques

5 Screw for pulley .....	45 ÷ 50 Nm
– Screws for engine fastening .....	35 ÷ 40 Nm

Remove the exhaust guard (8).

Disconnect the accelerator cable control and the electrical cables.



Detach the fuel line pipe, **taking care not to spill fuel.**

Having identified the screws fixing the engine to the chassis, grasp the former firmly and lift it with due care, remembering that it weighs about 35-45 kg.

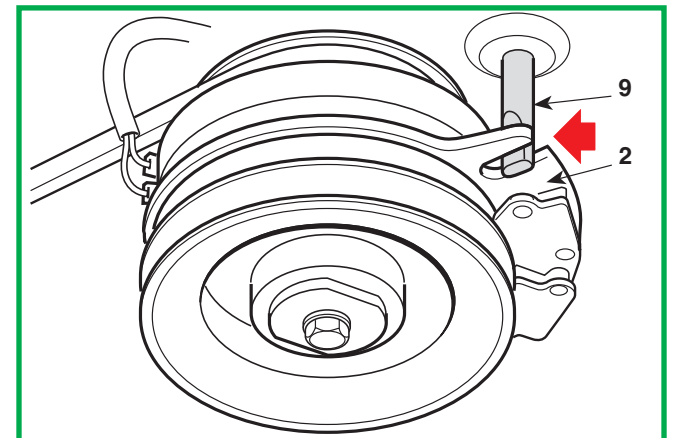
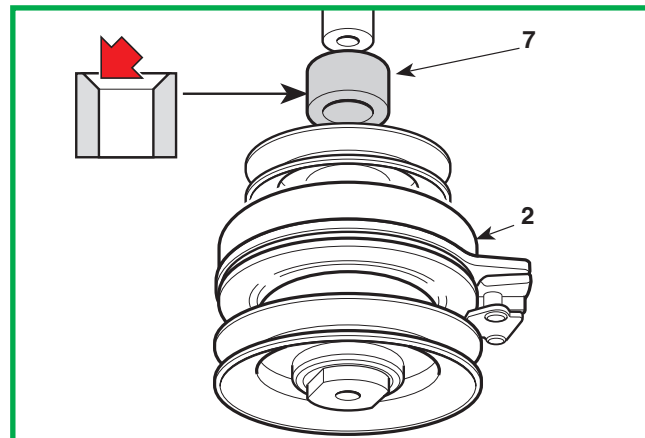
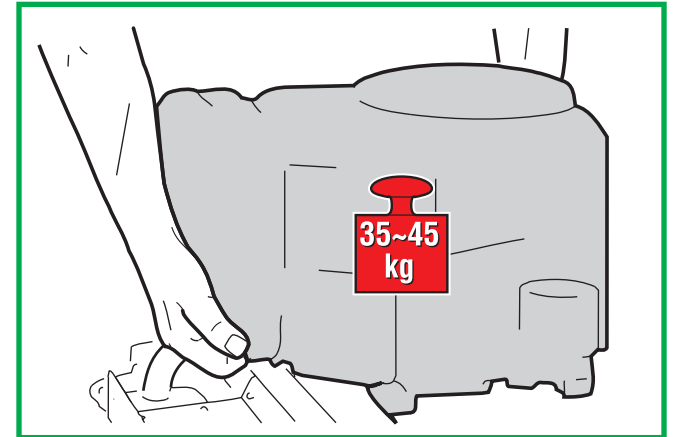
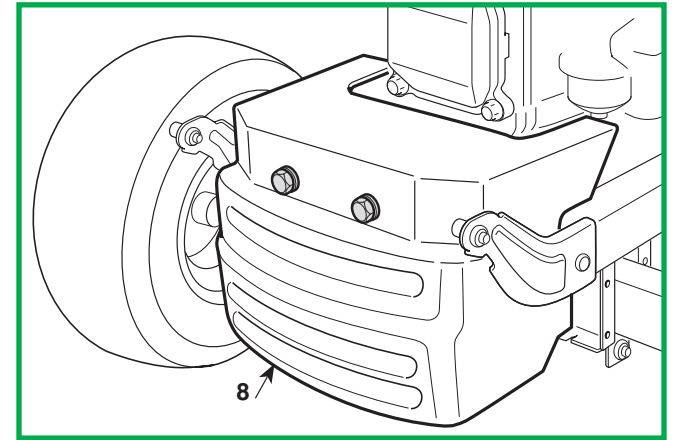
### NOTE

Some types of engine can be fixed with screws of a different length and in a different position, so it is advisable to mark them, to prevent errors on reassembly.

For reassembly follow the operations described above in reverse.

Reassemble the spacer (7), with the countersink facing the engine.

Ensure that the pin (9) is inserted in the groove in the



# WORKSHOP MANUAL

## 5.5.0 REMOVAL OF THE ENGINE

3 / 3

### General informations:

*Since there are different types of drive, the stages described here refer to those shared or similar in all types of engine.*

### Related topics:

- [👁️ 5.1] Removal of front hood
- [👁️ 6.7] Replacing the accelerator and adjusting the carburettor

### Tightening torques

5 Screw for pulley .....	45 ÷ 50 Nm
– Screws for engine fastening .....	35 ÷ 40 Nm

clutch (2) and remember to replace the spring (4). Fully tighten the engine and pulley fixing screws to the prescribed values.

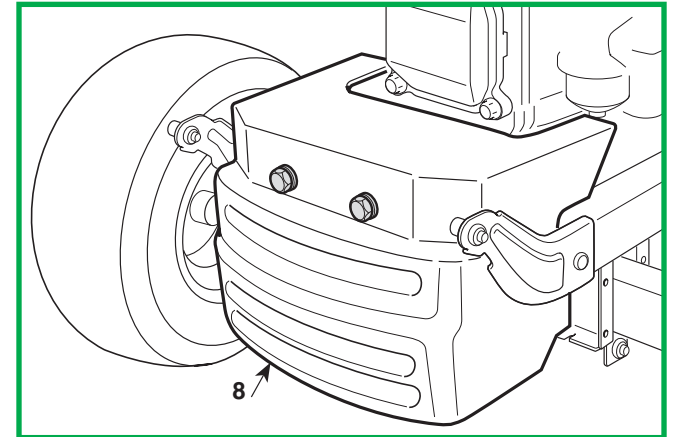
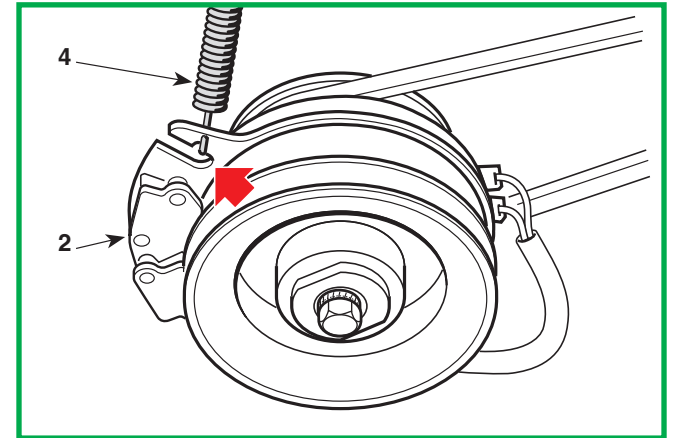


Remember to replace the fuel pipe fastening clamps and **check that there are no leaks.**

Carefully restore all electric and earth contacts and always refit the exhaust guard (8).

Refit the accelerator cable and...

- Adjust the “TICK-OVER” position.
- Refit the front bonnet.



# WORKSHOP MANUAL

**5.6.0**  
**REMOVAL OF THE REAR AXLE**  
**Dana 4360-211**

1 / 2

**General informations:**

*The rear axle (Transaxle) is made up of single maintenance free sealed unit which includes the transmission unit and the differential.*

*It only needs to be removed to be replaced or for an overhaul by the Manufacturer's Service Centre.*

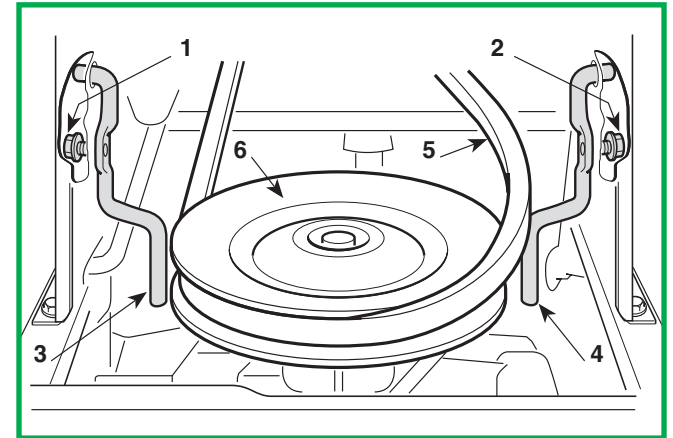
**Related topics:**

- [👉 2.3] Lifting and lower accessibility
- [👉 4.2] Brake adjustment
- [👉 5.8] Removing the ejection conveyor
- [👉 6.1] Removal of the wheels

**Tightening torques**

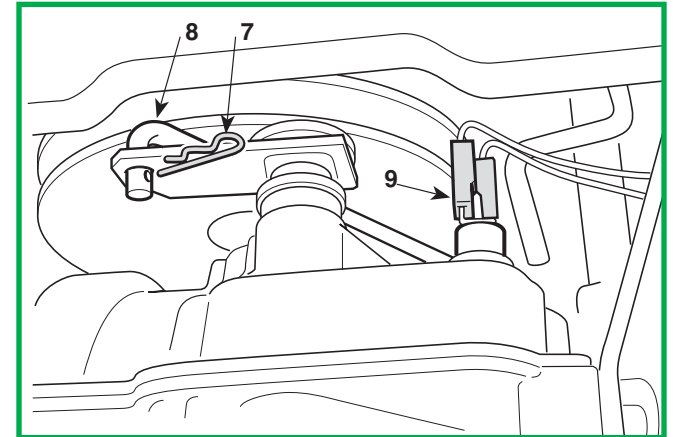
14	Screw for bracket fastening .....	25 ÷ 30 Nm
15	Self-tapping screw .....	25 ÷ 30 Nm
17	Rear axle fastening nut .....	25 ÷ 30 Nm

- Lift the rear part of the machine.
- Remove the rear wheels.
- Remove the rear of the conveyor.



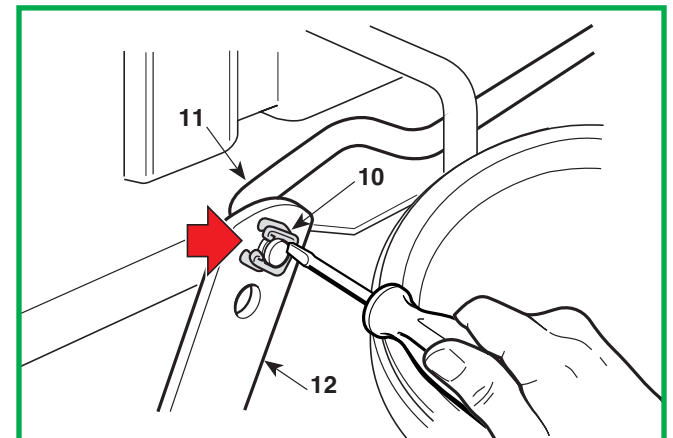
Engage the parking brake to slacken off the belt and obtain greater operating convenience.

Bring the cutting deck to the highest position.



Loosen the two side screws (1) and (2) and move the two belt guides (3) and (4) forward until the belt (5) is released from the pulley (6).

Remove the split pin (7) and disconnect the gear control rod (8).



Disconnect the "neutral" signal microswitch cables (9).

Release the parking brake to reduce spring tension on the rod, then remove the plate (10) and disconnect the brake control rod (11) from the lever (12).

# WORKSHOP MANUAL

**5.6.0**  
**REMOVAL OF THE REAR AXLE**  
**Dana 4360-211**

2 / 2

**General informations:**

*The rear axle (Transaxle) is made up of single maintenance free sealed unit which includes the transmission unit and the differential.  
It only needs to be removed to be replaced or for an overhaul by the Manufacturer's Service Centre.*

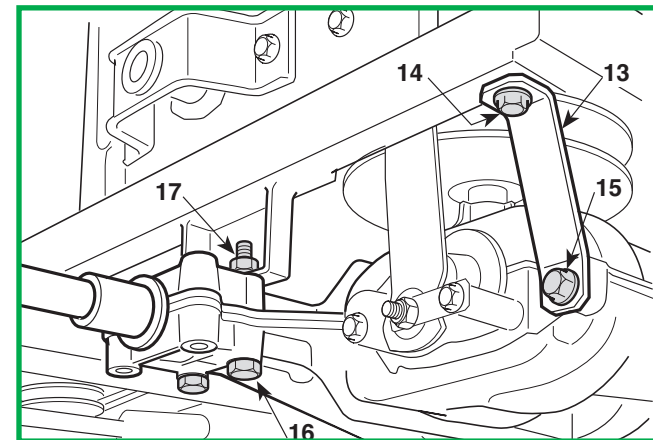
**Related topics:**

- [👁️ 2.3] Lifting and lower accessibility
- [👁️ 4.2] Brake adjustment
- [👁️ 5.8] Removing the ejection conveyor
- [👁️ 6.1] Removal of the wheels

**Tightening torques**

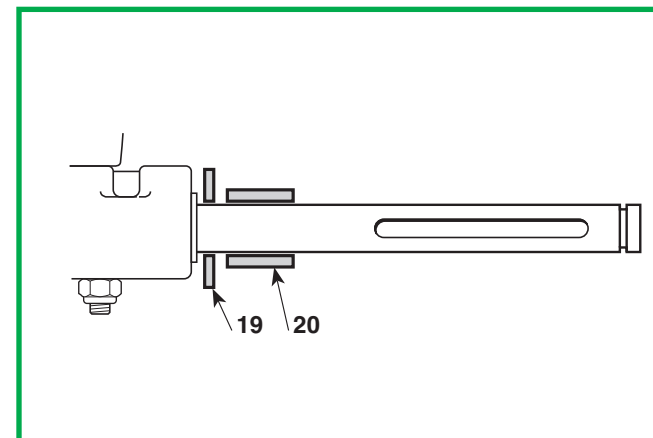
14	Screw for bracket fastening .....	25 ÷ 30 Nm
15	Self-tapping screw .....	25 ÷ 30 Nm
17	Rear axle fastening nut .....	25 ÷ 30 Nm

The unit is supported on the left by a bracket (13) with their screws (14) and (15) and is attached to the frame by four screws (16) with their nuts (17).



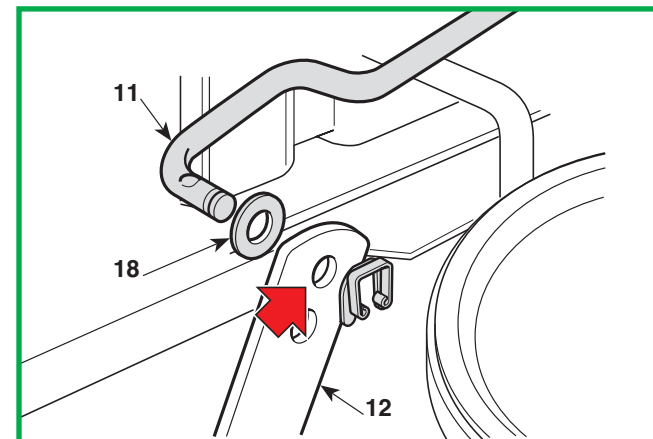
Loosen the screw (14) to give a minimum of movement to the bracket (13) and undo the two screws (16). Then carefully loosen the four nuts (17), holding up the unit so that it does not fall.

To reassemble, reverse the order of the previous operations, taking particular care with the self-tapping screw (15) which, if not screwed in correctly, could damage the threads inside so preventing it from being fastened properly.



When connecting the rod (11) be sure to use the uppermost hole in the lever (12) and replace the washer (18).

Check that the spacers (19 - 20) are correctly fitted to the shafts, in the sequence given.



Reattach all the connections, and then ...

- Check the brake.
- Refit the rear wheels.
- Reassemble the rear of the conveyor.

# WORKSHOP MANUAL

**5.6a.0**  
**REMOVAL OF THE REAR AXLE**  
**Hydro-Gear T2-ADB-F-2X3C-1RX1**

1 / 2

**General informations:**

*The rear axle (Transaxle) is made up of single maintenance free sealed unit which includes the transmission unit and the differential.  
It only needs to be removed to be replaced or for an overhaul by the Manufacturer's Service Centre.*

**Related topics:**

- [🔧 2.3] Lifting and lower accessibility
- [🔧 4.2] Brake adjustment
- [🔧 5.5] Removal of the engine
- [🔧 5.8] Removing the ejection conveyor
- [🔧 6.1] Removal of the wheels

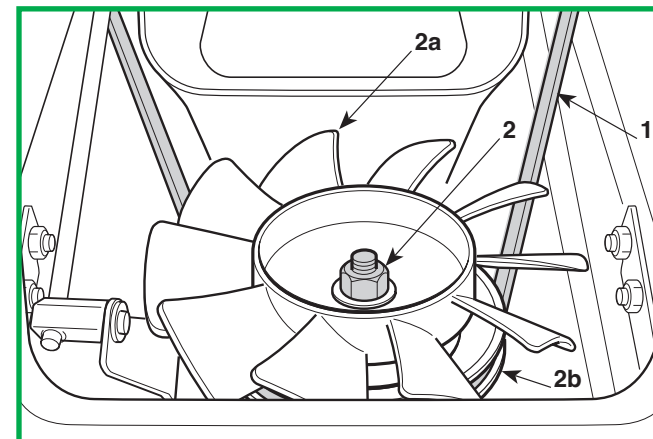
**Tightening torques**

2 Fan fastening nut .....	45 ÷ 55 Nm
9-10 Nuts for bracket fastening .....	25 ÷ 30 Nm
11 Rear axle fastening nut .....	25 ÷ 30 Nm

- Lift the rear part of the machine.
- Remove the rear wheels.
- Remove the rear of the conveyor.

Engage the parking brake to slacken off the belt and obtain greater operating convenience.

Unscrew the nut (2) using an impact driver and remove the fan (2a) so as to free the belt (1) from the pulley (2b). Alternatively, unscrew the engine pulley so that the belt remains loose.

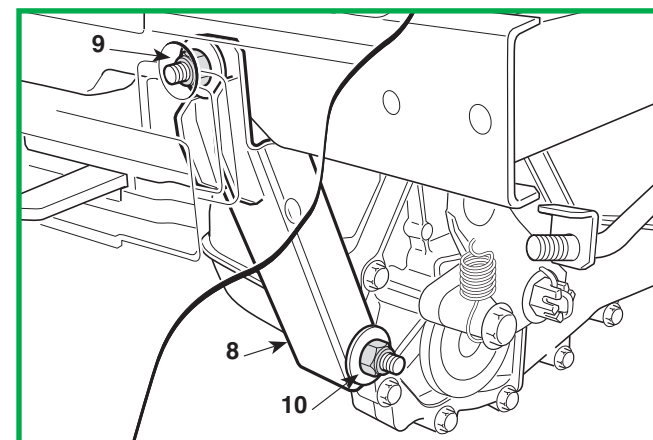
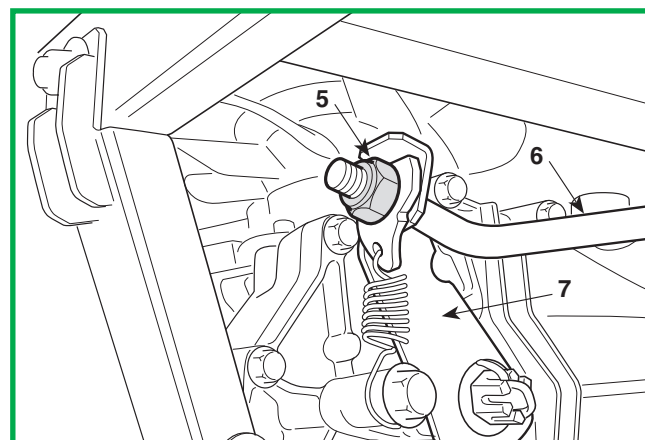
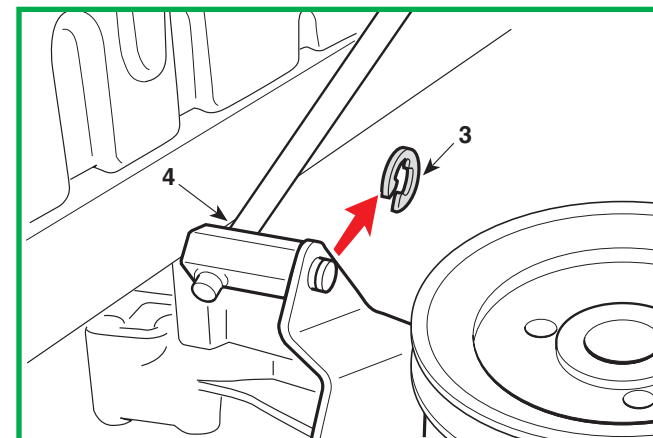


Remove the snap ring (3) and disconnect the drive control lever (4).

Release the parking brake to reduce spring tension on the rod, then remove the nut (5) and disconnect the brake control rod (6) from the lever (7).

The unit is supported by a bracket (8) from the rear right hand side.

Loosen the upper nut (9) to give a minimum of movement to the bracket (9), unscrew the nut (10) and slide out the relative screw.



# WORKSHOP MANUAL

**5.6a.0**  
**REMOVAL OF THE REAR AXLE**  
**Hydro-Gear T2-ADBF-2X3C-1RX1**

2 / 2

**General informations:**

*The rear axle (Transaxle) is made up of single maintenance free sealed unit which includes the transmission unit and the differential.  
It only needs to be removed to be replaced or for an overhaul by the Manufacturer's Service Centre.*

**Related topics:**

- [🔧 2.3] Lifting and lower accessibility
- [🔧 4.2] Brake adjustment
- [🔧 5.5] Removal of the engine
- [🔧 5.8] Removing the ejection conveyor
- [🔧 6.1] Removal of the wheels

**Tightening torques**

2 Fan fastening nut .....	45 ÷ 55 Nm
9-10 Nuts for bracket fastening .....	25 ÷ 30 Nm
11 Rear axle fastening nut .....	25 ÷ 30 Nm

Carefully unscrew the four frame fastener nuts (11), adequately supporting the unit so it does not fall.

To reassemble, reverse the order of the previous operations.

If the fan (2a) was removed, ensure the shaped washer (2c) is replaced below the nut (2).

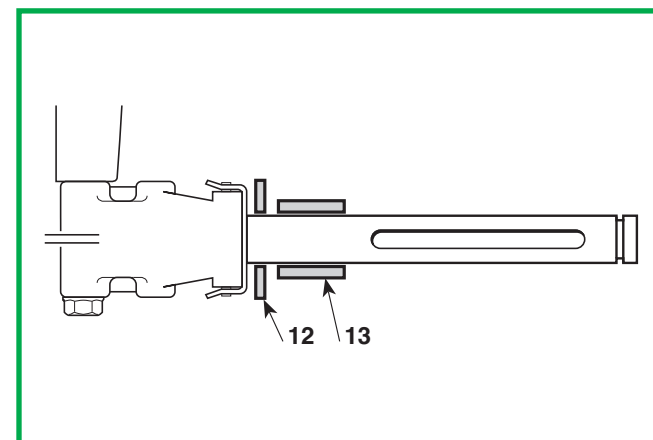
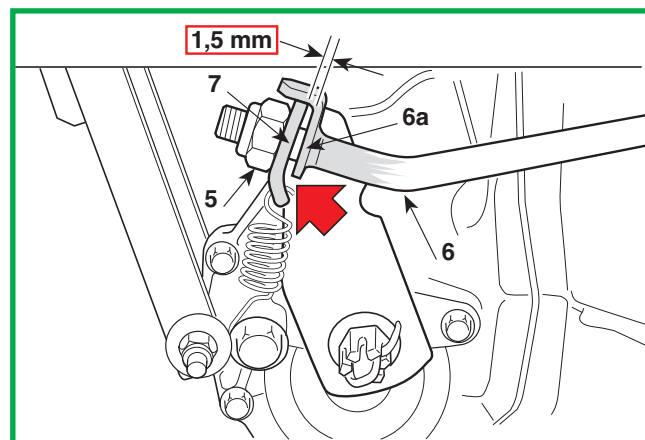
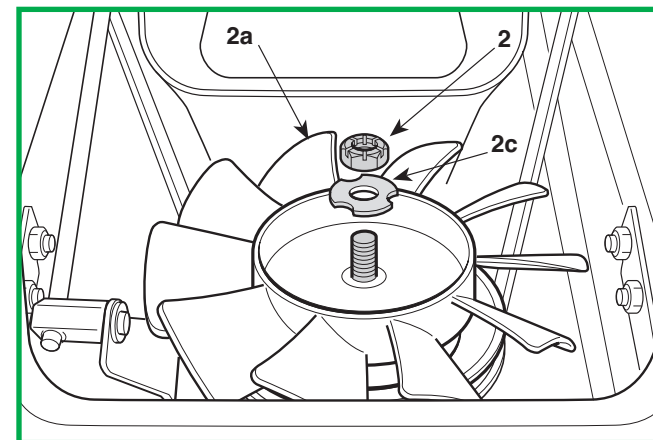
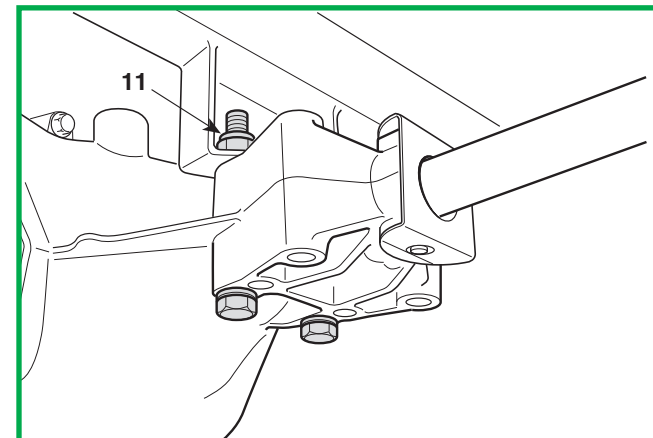
When you come to connect the brake rod (6), it is necessary to screw the nut (5) on as far as possible, along the entire rod thread.

After completing the screwing phase, engage the parking brake and check that there is a 1.5 mm gap between the rod plate (6a) and the lever (7).

Check that the spacers (12 - 13) are correctly fitted to the shafts, in the sequence given.

Reattach all the connections, and then ...

- Check the brake.
- Remount the rear wheels.
- Reassemble the rear of the conveyor.





# WORKSHOP MANUAL

## 5.7.0 REMOVAL OF THE CUTTING DECK

1 / 1

### General informations:

Removing the cutting deck facilitates all the overhaul and replacement of hubs, bearings and blade shafts. With some practice and experience it is possible to do this work with the deck still in position.

### Related topics:

[👁️ 4.5] Aligning the cutting deck

Free the blade belt (1) from the clutch pulley (2) and set the cutting height adjustment lever to position «1».

Unscrew the two nuts (3) fastening the two arms (4) to the frame.

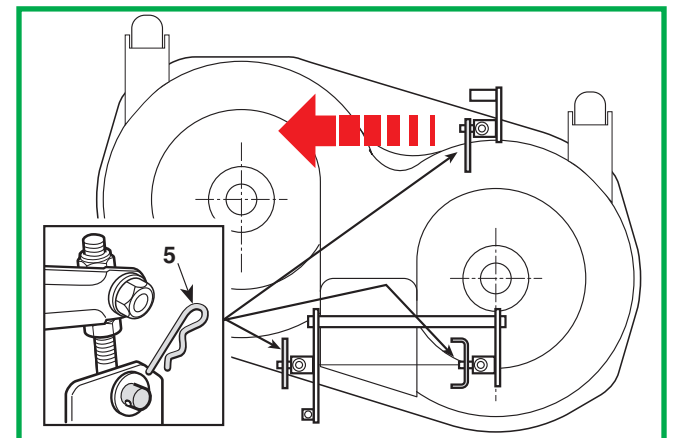
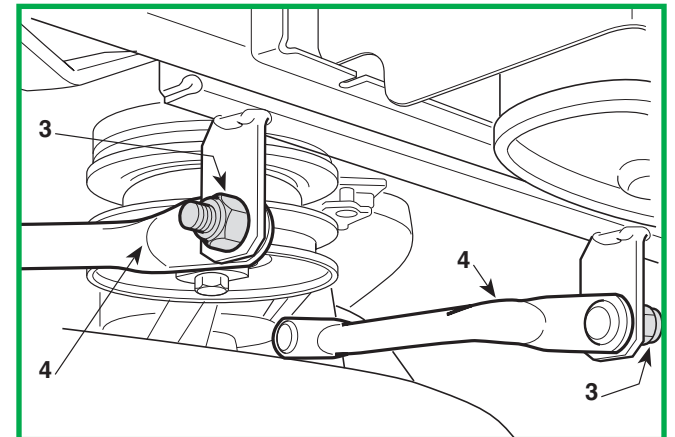
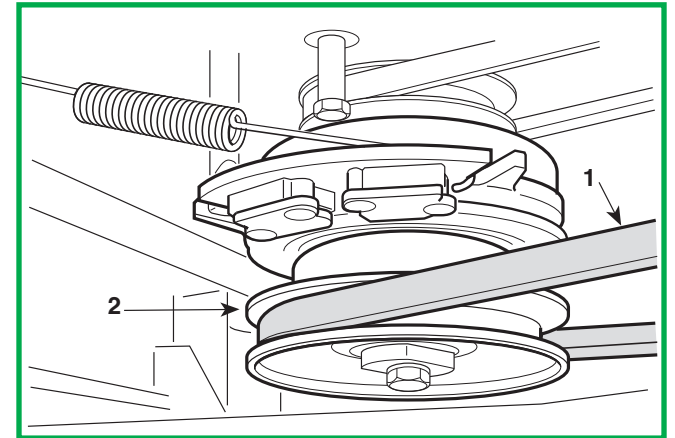
Release the three flexible split pins (5) of the lifting tie-rods.

Having checked that there is nothing in the way, the deck can be removed, turning it anti-clockwise so that all the pins come out of their positions.

To assemble, perform the operations described above in reverse order making sure to tighten the nuts (3) so as not to hinder correct cutting deck oscillation.

When assembly is completed ...

- Check the alignment of the cutting deck.



# WORKSHOP MANUAL

**5.8.0**  
**REMOVAL OF THE**  
**DISCHARGE CONVEYOR**

1 / 1

**General informations:**

*The removal of the front part of the conveyor makes the small side wheels and the transmission belt accessible.*

*The removal of the conveyor's rear part is necessary to disassemble the cutting deck and in case the rear plate is removed.*

**Related topics:**

[👉 5.7] Removing the cutting deck

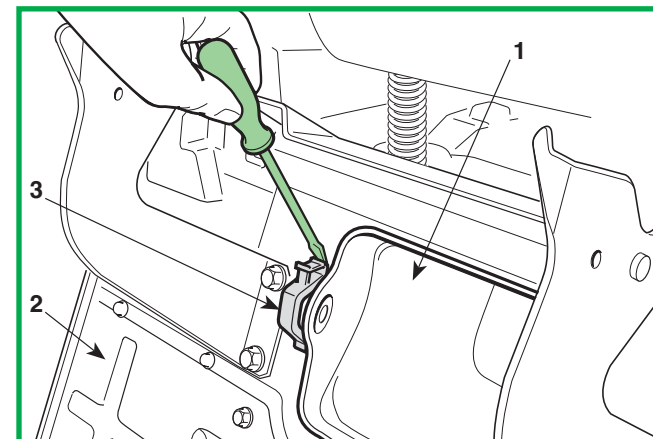
**Tightening torques**

11 Screws for front collector channel ..... 8 - 10 Nm

**a) Rear**

The conveyor (1) is connected to the rear plate (2) by two plastic clamps (3), removable with the help of a screwdriver.

On assembly, ensure the free vibration of the conveyor at each plate height variation.

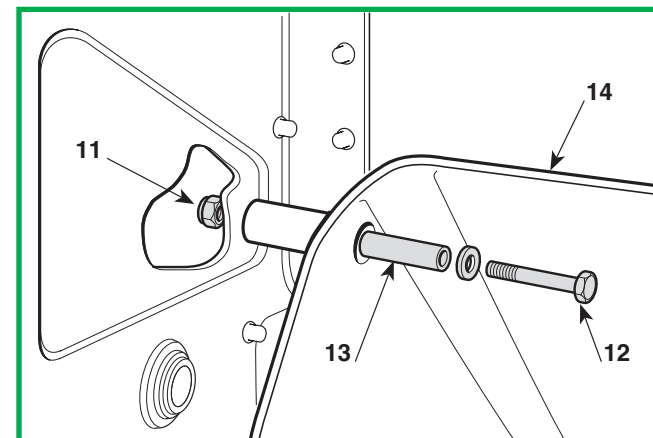


**b) Front**

- Remove the cutting deck.
- Remove the rear wheels.

Loosen the two nuts (11).

Remove the screws (12) and the spacers (13), operating from inside the outlet, and remove the front part of the conveyor (14).



On assembly, ensure the free vibration of the conveyor at each plate height variation.

- Refit the rear wheels.
- Reassemble the cutting deck.

# WORKSHOP MANUAL

## 6.1.0 REPLACEMENT OF TYRES AND WHEELS

1 / 1

### General informations:

The tyres used are of the "Tubeless" type and so every repair of a hole in the tyre must be done by a tyre specialist according to the methods used for this type of tyre.

### Related topics:

[👁️ 4.5] Aligning the cutting deck

### Tyre pressures

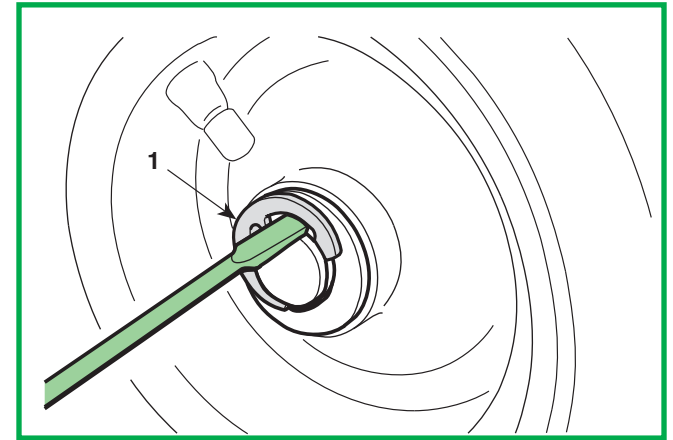
Front	..... (Tyres 13 x 5.00-6)	1.5 Bar
	..... (Tyres 15 x 5.00-6)	1.0 Bar
Rear	.....	1.2 Bar

### A) Tyres

After replacing one or more tyres or the wheels, it is always necessary to check the pressure and to check the alignment of the cutting deck.



Replace distorted wheel rims as they could impair the tyre's hold.



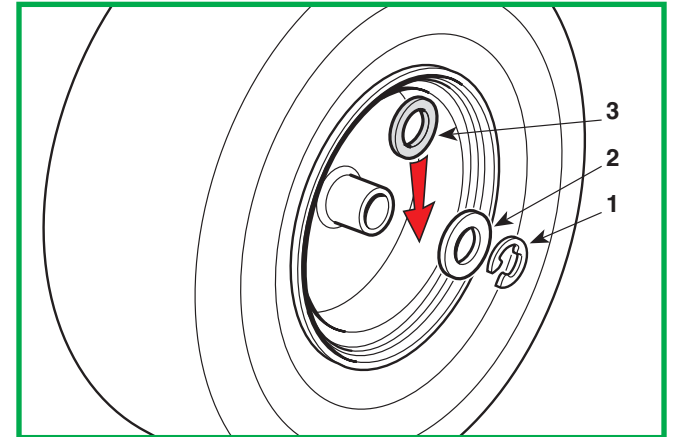
### B) Wheels

The wheels are held by a snap ring (1) which can be removed with the help of a screwdriver.

### NOTE

If a wheel is jammed onto the shaft, use a releasing spray directing around the splining hole.

On assembly it is advisable to spread grease on the shaft to facilitate the next wheel removal.



**For the front wheels:** replace the shoulder washer (2) and the flexible ring (1) with the bevel facing inwards.

**For the rear wheels:** replace the shoulder washer (2) and the flexible ring (1) with the bevel facing inwards and check the axial gap of the wheel on the shaft; if it is greater than 3 mm, a spacer (3) must be fitted between the wheel hub and the shoulder washer (2).

# WORKSHOP MANUAL

## 6.2.0 REPLACEMENT OF FRONT WHEEL BEARINGS

1 / 1

### General informations:

---

### Related topics:

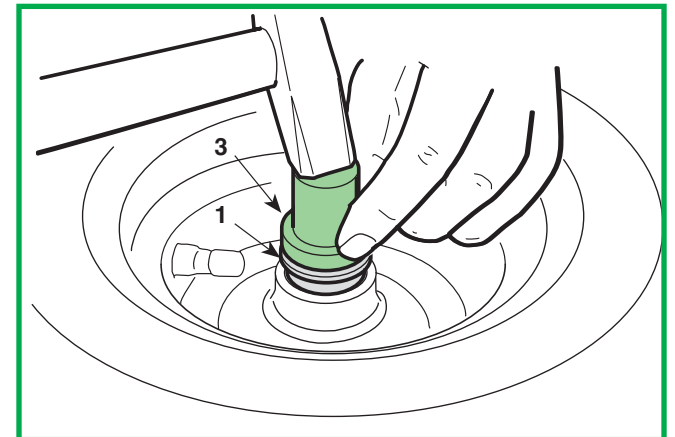
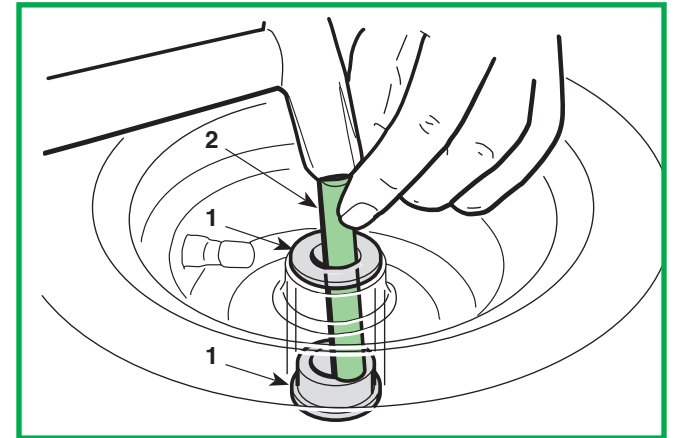
- [👁️ 2.2] Tools
- [👁️ 2.3] Lifting and lower accessibility
- [👁️ 6.1] Removal of the wheels

- Dismantle the front wheel.

The front wheel bearings (1) are force splined into the front wheel hub.

To be able to remove a bearing a 10 - 12 mm round bar (2) is needed. Insert this from the opposite side and hammer it on various points around the internal circumference of the bearing.

The new bearing must be inserted with the help of a plastic mallet or a bronze pad (3) **working only on the outer ring of the bearing.**



# WORKSHOP MANUAL

## 6.3.0 DISMANTLING THE STEERING COMPONENTS

1 / 2

### General informations:

---

### Related topics:

[👁️ 4.7] Steering geometry adjustment

### Tightening torques

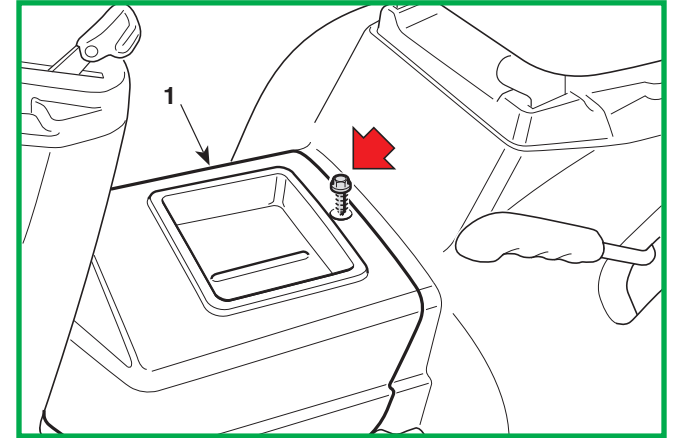
**6** Steering tie-rod fastening nut ..... 45 ÷ 50 Nm

**18-19** Pin fastening nuts ..... 25 ÷ 30 Nm

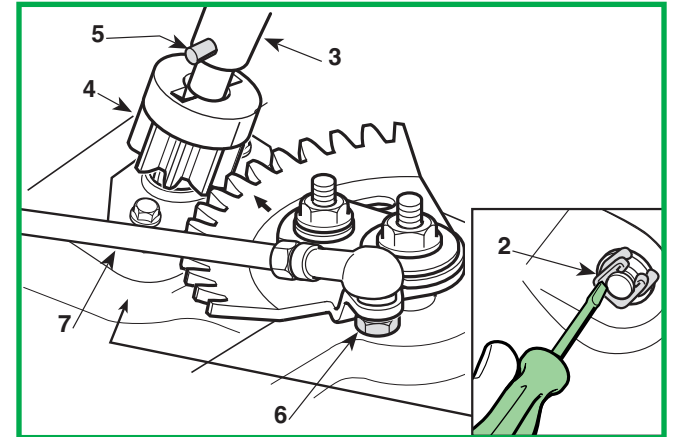
- Remove the inspection hatch (1).

### A) Dismantling steering pinion and ring gear

Unhook the spring (2) and lift the steering column (3) just enough to be able to draw out the pinion (4), taking care not to take out the pin (5).

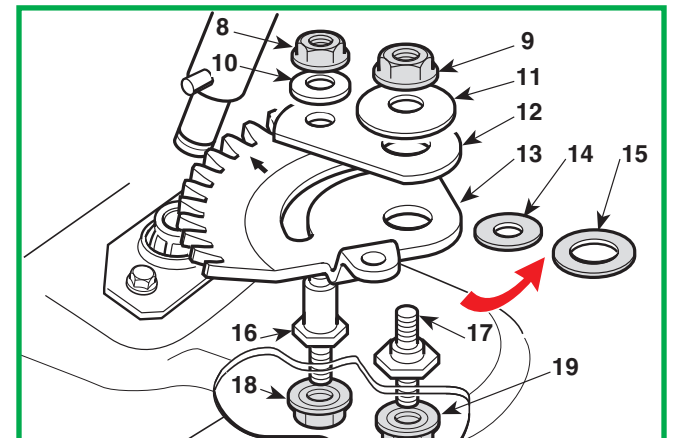


Unscrew the nut (6) and disconnect the steering tie-rod (7).



Remove the nuts (8) and (9), the cup washer (10) and (11), the guide (12) and dismantle the ring gear (13).

In the case of replacement of the ring gear and pinion, the blocks (14) and (15), that might have been placed under the ring gear previously, must be removed.



Check pin (16) and (17) wear and, if necessary replace them by unscrewing the relevant nuts (18) and (19).

To assemble, perform the operations described above in reverse order being careful to correctly reconnect the pin (5) in the pinion housing (4).

When replacing the pins (16) and (17), tighten the relevant nuts (18) and (19) to the recommended value.

# WORKSHOP MANUAL

**6.3.0  
DISMANTLING  
THE STEERING COMPONENTS**

2 / 2

**General informations:**

---

**Related topics:**

[🔧 4.7] Steering geometry adjustment

**Tightening torques**

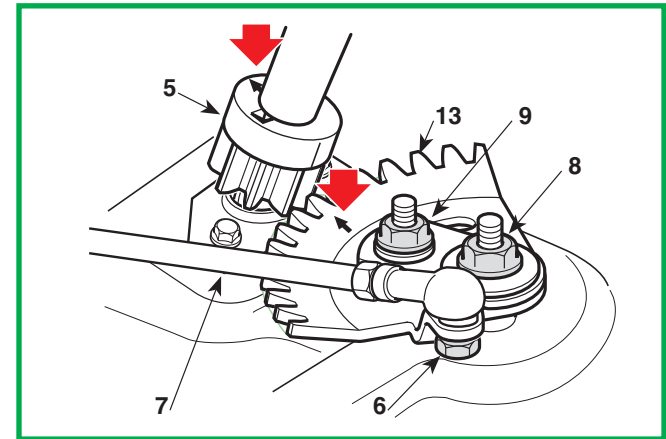
6 Steering tie-rod fastening nut .....	45 ÷ 50 Nm
18-19 Pin fastening nuts .....	25 ÷ 30 Nm



Reassemble the ring gear matching the two references (→), punched on the ring gear (13) with the pinion (5) in the drive direction.

Reassemble the nuts (8) and (9), tightening them to load the cup springs (10) and (11) as much as need to ensure steering manageability, without creating excessive play.

Refit the steering tie-rod (7) and tighten the nut (6) to the prescribed value.



**B) Lower bush replacement**

Unhook the spring (21) and lift the steering column (22) just enough to be able to draw out the pinion (23), taking care not to take out the pin (24).

Use a universal socket wrench to unscrew the two screws (25) that fix the plate (26) and remove the spherical lower bush (27).

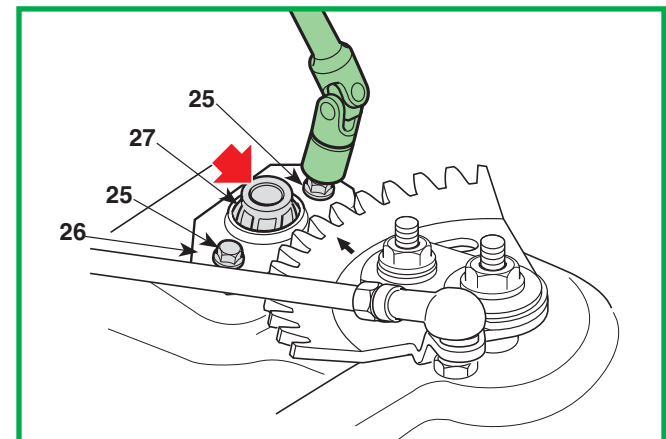
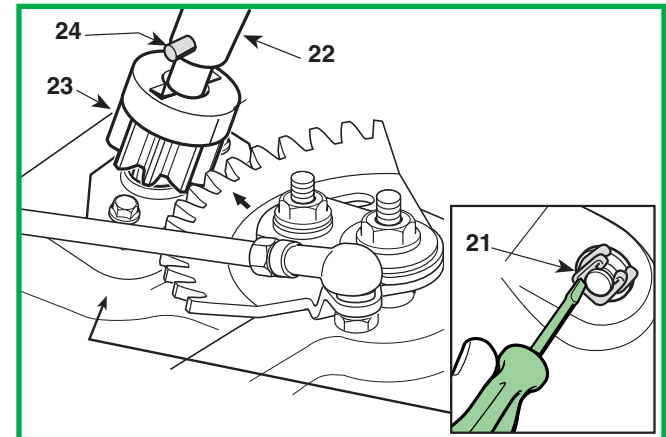
On reassembly ensure that the bush (27) is fitted with the protuberant part upwards.

Refit the plate (26) without tightening the screws (25).

Correctly reposition the pin (24) in the pinion housing (23) and align the pinion to the ring gear.

Insert the end of the steering column (22) in the hole in the spherical bush (27); fully tighten the screws (25) after having checked the correct alignment and regular rotation of the steering column.

- Check the steering geometry.



# WORKSHOP MANUAL

## 6.4.0 REPLACEMENT OF THE DRIVE BELT

1 / 2

### General informations:

---

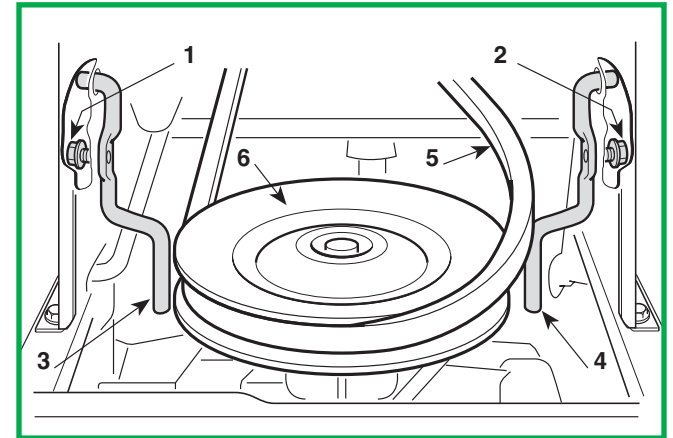
### Related topics:

- [🔧 4.3] Drive belt adjustment
- [🔧 5.3] Removal of the wheel cover
- [🔧 5.5] Removal of the engine
- [🔧 5.7] Removing the cutting deck
- [🔧 5.8] Removing the ejection conveyor
- [🔧 6.9] Replacement of the lifting cable
- [🔧 8.2] Belts Assembly

### Tightening torques

7 Drive pulley fastening nut .....	25 ÷ 30 Nm
9 Nut for pulley of the guide pulley .....	25 ÷ 30 Nm
11 Nuts for small wheels .....	25 ÷ 30 Nm

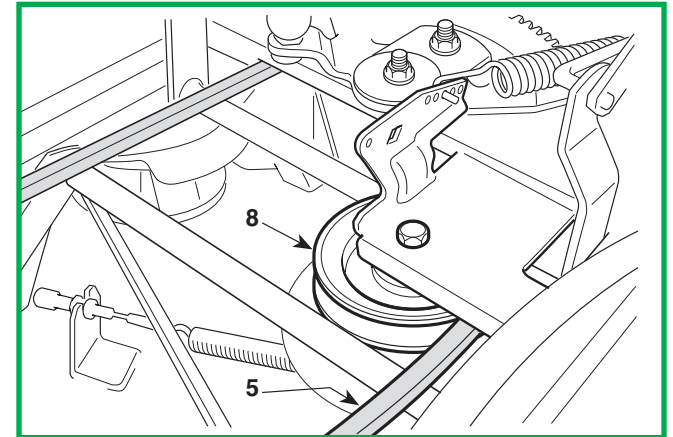
- Remove the rear of the conveyor.
- Removing the cutting deck.
- Remove the wire of the deck lifting lever.
- Remove the engine pulley and the clutch



Engage the parking brake to slacken off the belt and obtain greater operating convenience.

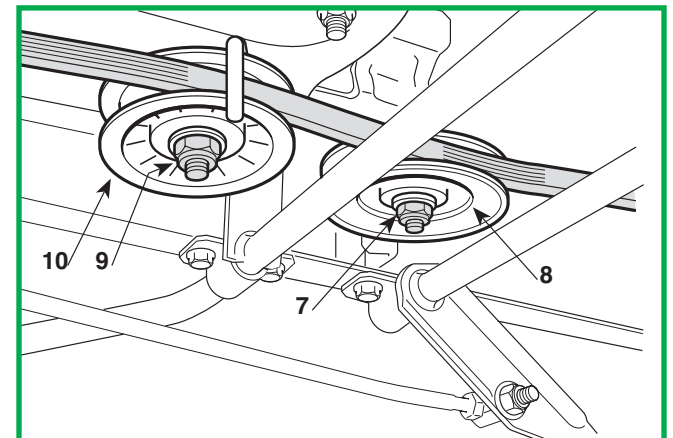
➤ **mechanical drive models**

Loosen the two side screws (1) and (2) and move the two belt guides (3) and (4).



Hold the two parts of the belt (5) to release it from the pulley (6).

Loosen the nut (7) for the drive pulley (8) to the point where the passage of the belt is allowed (5).



Unscrew the nut (9) and take off the pulley of the guide pulley (10).

# WORKSHOP MANUAL

## 6.4.0 REPLACEMENT OF THE DRIVE BELT

2 / 2

### General informations:

---

### Related topics:

- [👉 4.3] Drive belt adjustment
- [👉 5.3] Removal of the wheel cover
- [👉 5.5] Removal of the engine
- [👉 5.7] Removing the cutting deck
- [👉 5.8] Removing the ejection conveyor
- [👉 6.9] Replacement of the lifting cable
- [👉 8.2] Belts Assembly

### Tightening torques

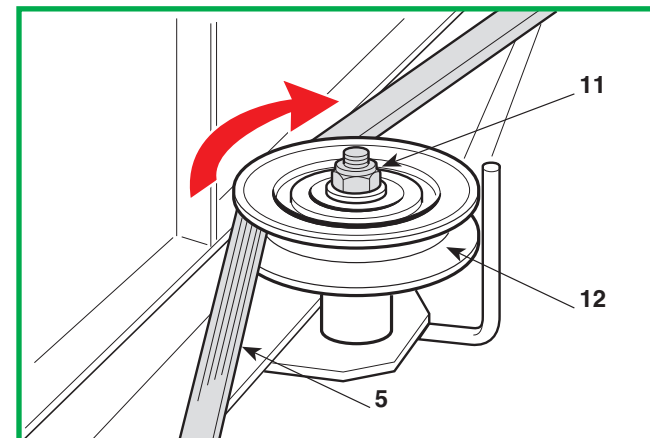
7	Drive pulley fastening nut .....	25 ÷ 30 Nm
9	Nut for pulley of the guide pulley .....	25 ÷ 30 Nm
11	Nuts for small wheels .....	25 ÷ 30 Nm

Unscrew the nuts (11), remove the two small wheels (12) and remove the belt (5).

On assembly, follow the procedures described above in reverse order.

When assembly is completed, ...

- Refit the engine pulley and the clutch.
- Adjust the drive engagement.
- Reassemble the wire of the deck lifting lever.
- Remounting the cutting deck.
- Reassemble the rear of the conveyor.





# WORKSHOP MANUAL

## 6.5.0 REPLACING THE SMALL WHEELS FOR THE DRIVE BELT

1 / 1

### General informations:

---

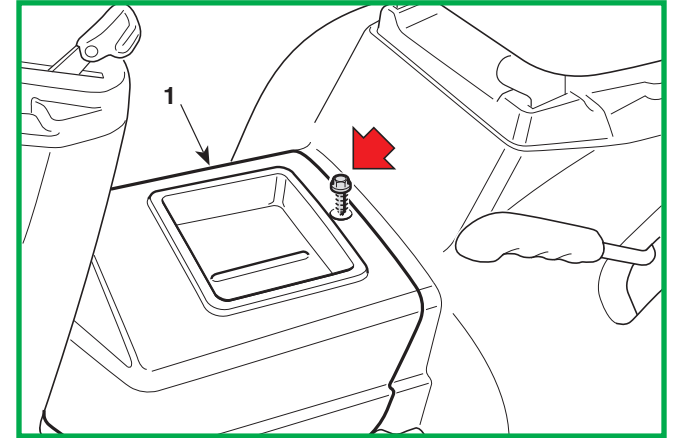
### Related topics:

[👁️ 4.3] Drive belt adjustment

### Tightening torques

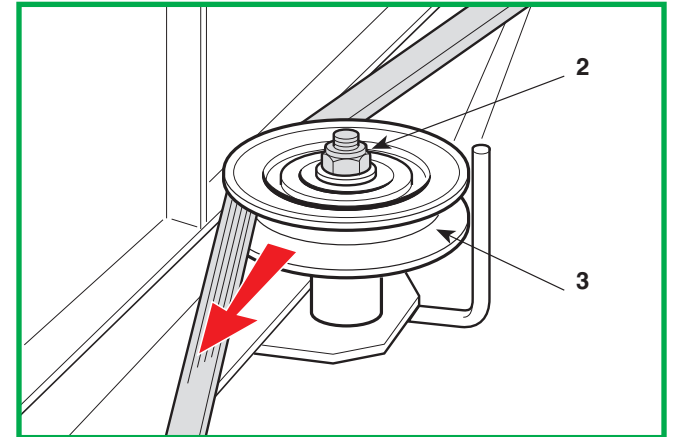
3 Nuts for small wheels ..... 25 ÷ 30 Nm

- Bring the cutting deck to the lowest position «1».
- Engage the parking brake to slacken off the belt and obtain greater operating convenience.



Remove the inspection hatch (1).

Unscrew the nuts (2) and remove the two small wheels (3) by moving them toward the rear of the machine.



When assembly is completed, ...

- Adjust the drive engagement.

# WORKSHOP MANUAL

## 6.6.0 REPLACEMENT OF THE BLADES BELT

1 / 1

### General informations:

---

### Related topics:

[🔧 4.1] Adjusting the engagement and checking the blade brake

[🔧 5.2] Removal of the side guards (if provided)

[🔧 8.2] Belts Assembly

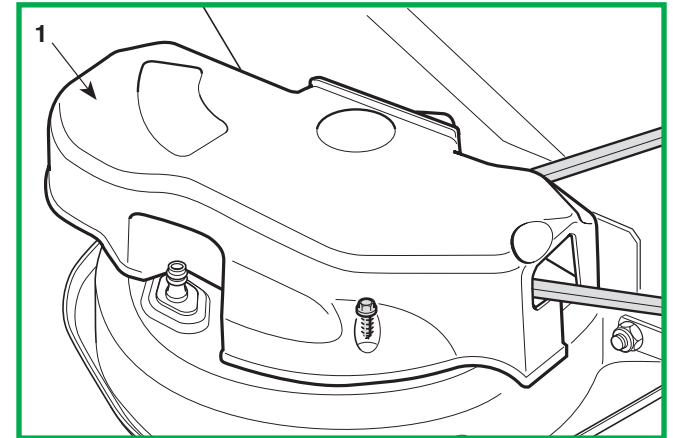
- Remove the left and right side guards (if provided).

Remove the right (1) and left (2) guards.

Free the blade belt (3) from the clutch pulley (4).

Loosen the screw (5) and remove the drive pulley (6).

At this point the tension regulator guide pulley (7) can be distanced manually and the belt (3) unthreaded and replaced.

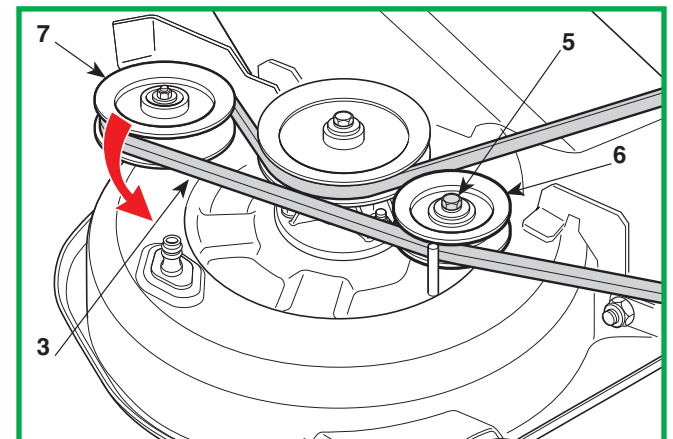
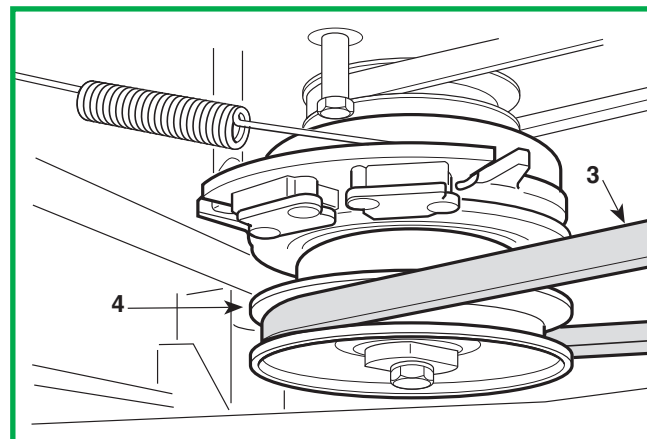
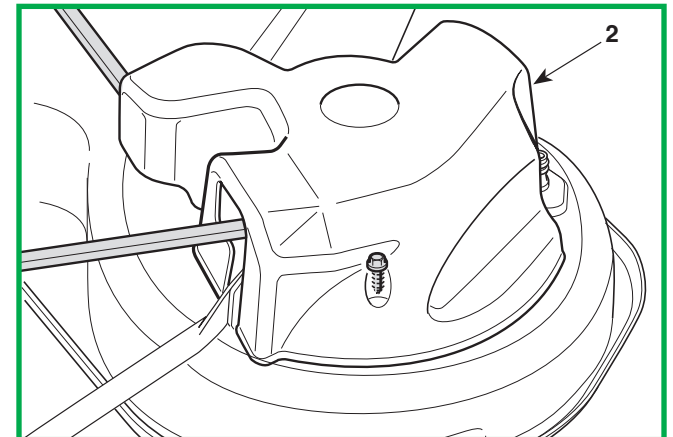


When reassembling the right (1) and left (2) guards, keep the belt (3) taut so that it is well-inserted in the pulley grooves and do not interfere with the belt guides inside the guards.

Once assembly is completed ...



- Reassemble the right and left side guards (if provided).
- Adjust the blade engagement.



# WORKSHOP MANUAL

## 6.7.0 REPLACEMENT OF THE SUPPORTS AND SHAFTS OF THE BLADES

1 / 3

### General informations:

---

### Related topics:

- [🔧 2.2] Tools
- [🔧 4.8] Checking blades alignment
- [🔧 4.9] Removing, sharpening and balancing the blades
- [🔧 5.2] Removal of the side guards (if provided)
- [🔧 5.7] Removal of the cutting deck

### Tightening torques

7	Screws for pulleys fastening .....	20 ÷ 25 Nm
10	Nuts for flanged support.....	25 ÷ 30 Nm

- Remove the left and right side guards (if provided).
- Remove the cutting deck.

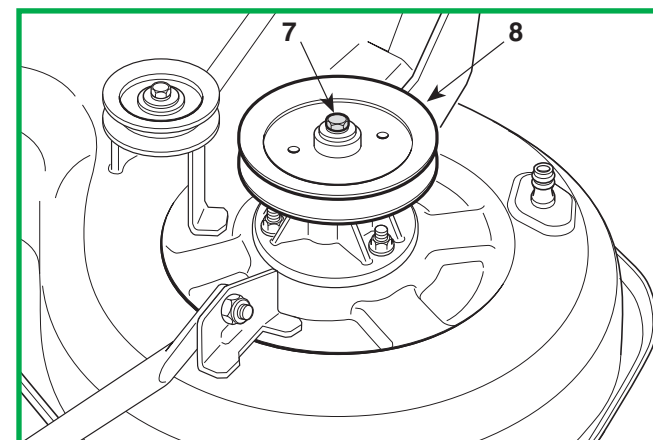
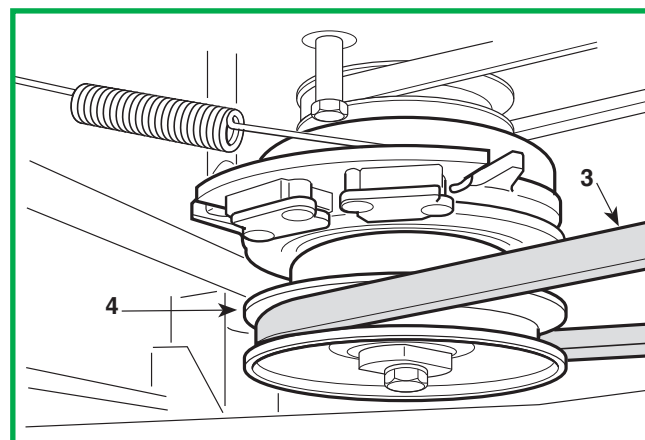
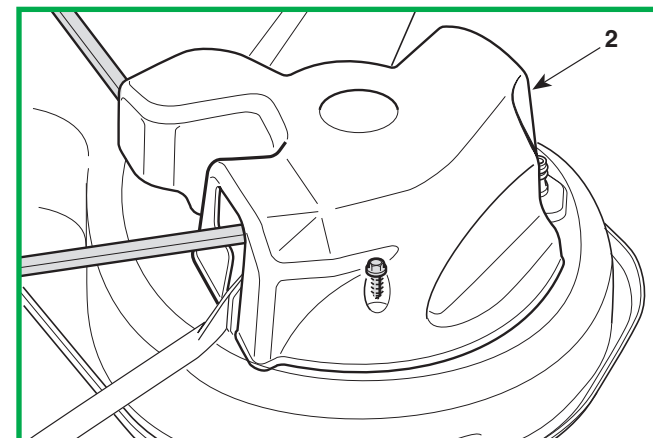
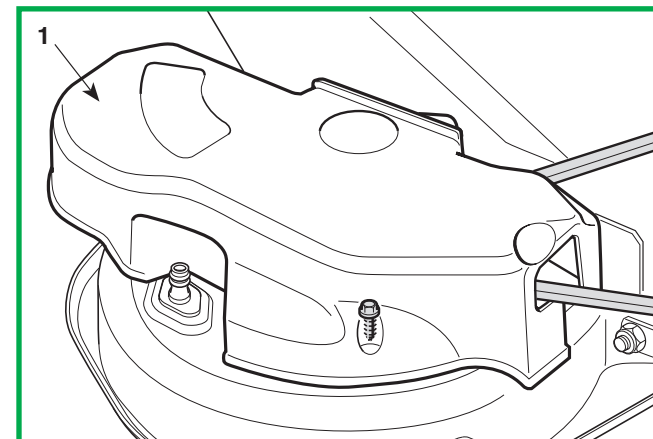
**NOTE** - This operation is not strictly necessary since, with a little practice and experience, it is possible to dismantle the deck supports without removing the deck.

Remove the blades and take off the hubs.

Remove the right (1) and left (2) guards fixed by the relative screws and/or nuts.

Free the blade belt (3) from the clutch pulley (4) and set the cutting height adjustment lever to position «1».

Unscrew the central screws (7) and unthread the pulleys (8).



# WORKSHOP MANUAL

## 6.7.0 REPLACEMENT OF THE SUPPORTS AND SHAFTS OF THE BLADES

2 / 3

### General informations:

---

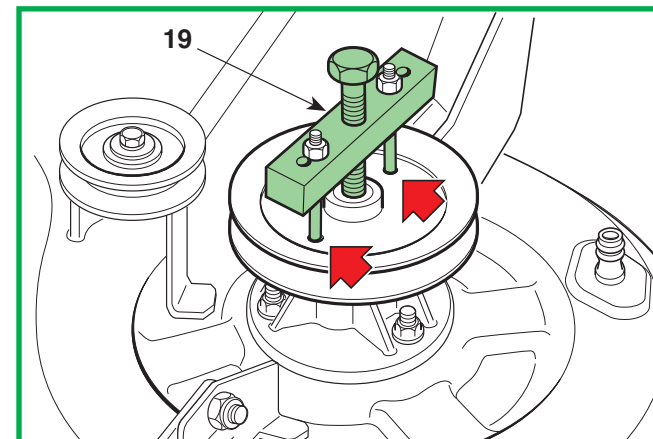
### Related topics:

- [🔧 2.2] Tools
- [🔧 4.8] Checking blades alignment
- [🔧 4.9] Removing, sharpening and balancing the blades
- [🔧 5.2] Removal of the side guards (if provided)
- [🔧 5.7] Removal of the cutting deck

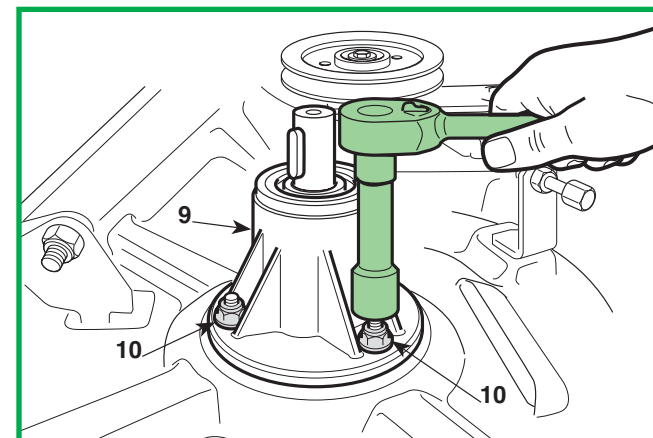
### Tightening torques

7	Screws for pulleys fastening .....	20 ÷ 25 Nm
10	Nuts for flanged support.....	25 ÷ 30 Nm

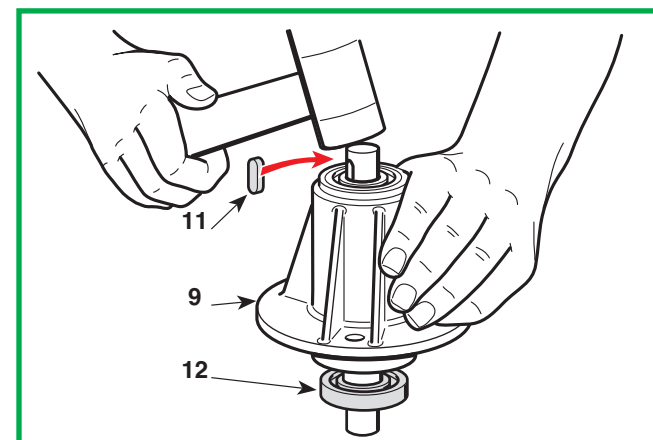
**NOTE** - The removal of pulleys may be facilitated by the use of the specific pulley extractor (19).



Dismantle the flange support (9) by unscrewing the three nuts (10).



**The entire support (11), including shafts and bearings, is a spare part available as single assembly unit.**



If you should want to just replace the shaft or bearings, remove the key (11) and hit the shaft with a plastic mallet on the pulley side in order to remove the shaft together with the lower bearing (12).

After having removed the snap ring (13), the dust co-

# WORKSHOP MANUAL

**6.7.0**  
**REPLACEMENT OF THE SUPPORTS**  
**AND SHAFTS OF THE BLADES**

3 / 3

**General informations:**

---

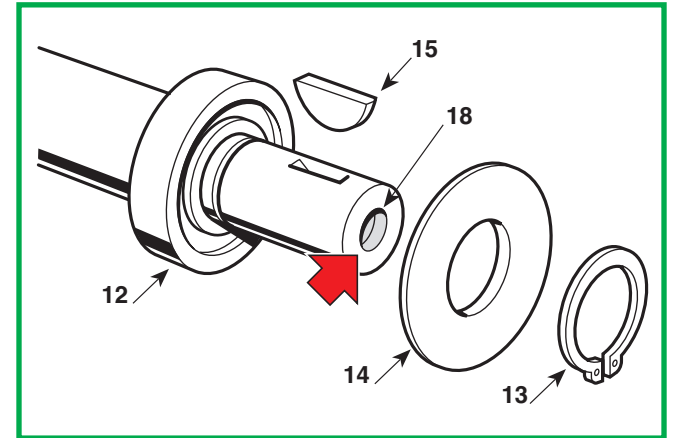
**Related topics:**

- [👁️ 2.2] Tools
- [👁️ 4.8] Checking blades alignment
- [👁️ 4.9] Removing, sharpening and balancing the blades
- [👁️ 5.2] Removal of the side guards (if provided)
- [👁️ 5.7] Removal of the cutting deck

**Tightening torques**

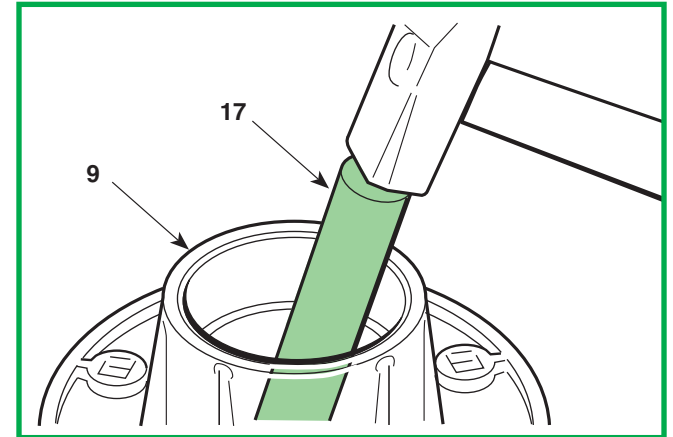
7	Screws for pulleys fastening .....	20 ÷ 25 Nm
10	Nuts for flanged support.....	25 ÷ 30 Nm

ver (14) and the spline (15), the bearing (12) splined onto the shaft can be removed using a normal extractor, taking care to close up the threaded hole (16) with a screw to prevent the point of the extractor from damaging the thread.



The second bearing still in place must be removed by hitting it from the inside of the flange using a 12 ÷ 15 mm diameter round bar (17).

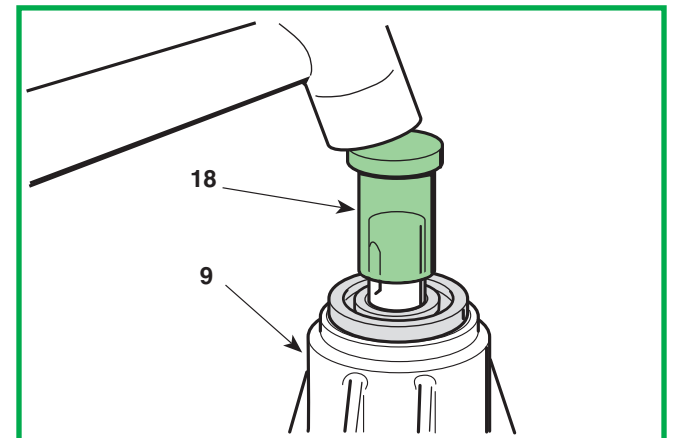
On reassembling, first put the shaft into the hole of the lower bearing and insert this into the support. Fit on the upper bearing and, using the special bush (18) **which works on the inner ring**, hit it squarely with a mallet until the bearing is fully driven home.



The right and left shafts seem to be the same, but can be differentiated as follows:

- **right shaft:** red paint on the pulley side and left-hand thread on the blade side;
- **left shaft:** green paint on the pulley side and right-hand thread on the blade side.

Before refitting the support assembly, check that these positions are correct.



Fit the flange supports onto the deck, **fully tightening the nuts** (10).

On completion of assembly of the supports, ...

- Reassemble the hubs and start sharpening, balancing and assembling the blades.
- Reassemble the cutting deck.



- Reassemble the right and left side guards (if provided).

# WORKSHOP MANUAL

## 6.8.0 - REPLACING THE ACCELERATOR AND ADJUSTING THE CARBURETTOR

1 / 1

### General informations:

---

### Related topics:

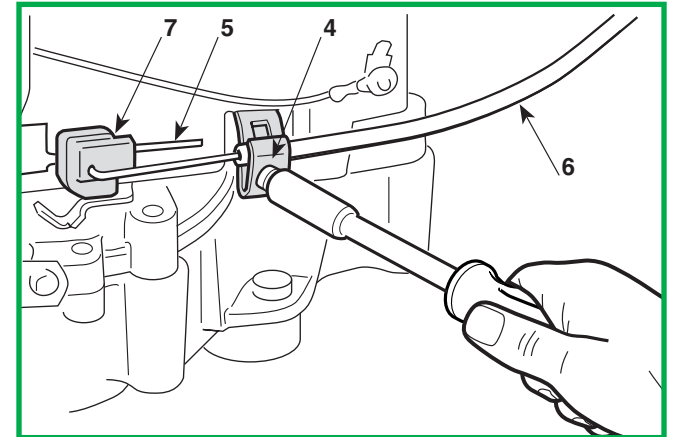
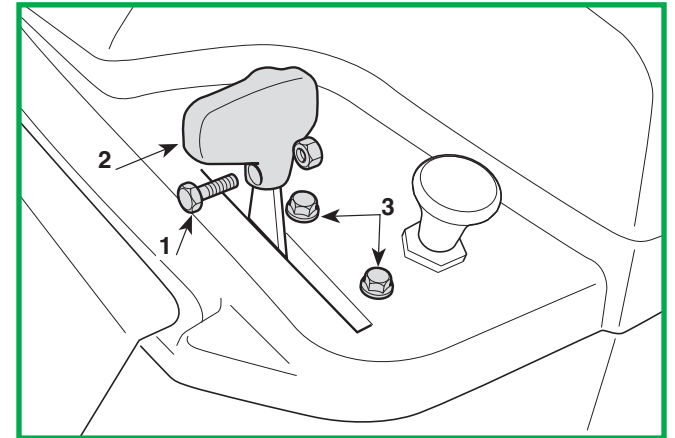
---

Unscrew the screw (1), take off the knob (2) and undo the two screws (3) which hold the accelerator on the dashboard.

From the motor side, loosen the terminal screw (4), disconnect the wire (6) terminal (5) from the slider (7) and remove the accelerator with the wire.

To assemble, put the accelerator lever in «MIN» and connect the wire (6) terminal (5) to the slider (7).

Move the slider (7) to the specific «MIN» position for each type of motor and indicated in the relevant instruction booklet. Then secure the wire (6) to the terminal (4).



# WORKSHOP MANUAL

## 6.9.0 REPLACEMENT OF THE LIFTING CABLE

1 / 1

### General informations:

---

### Related topics:

[🔍 4.5] Aligning the cutting deck

Put blocks beneath the cutting deck in line with the centre lines of the blades:

- at the front 26 mm (1)
- at the back 32 mm (2)

Put the height lever in position «1» and completely loosen the adjuster (3).

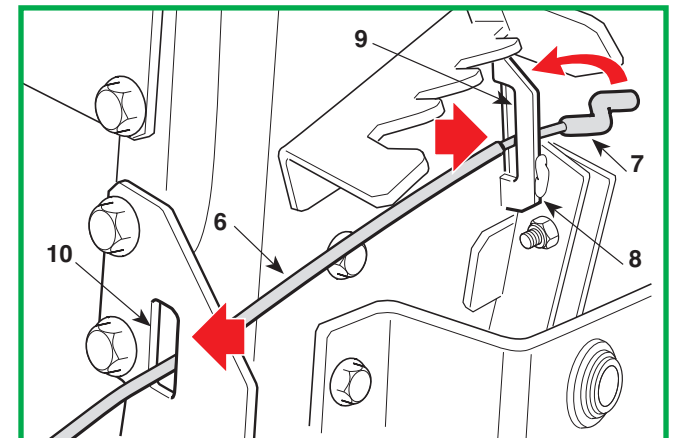
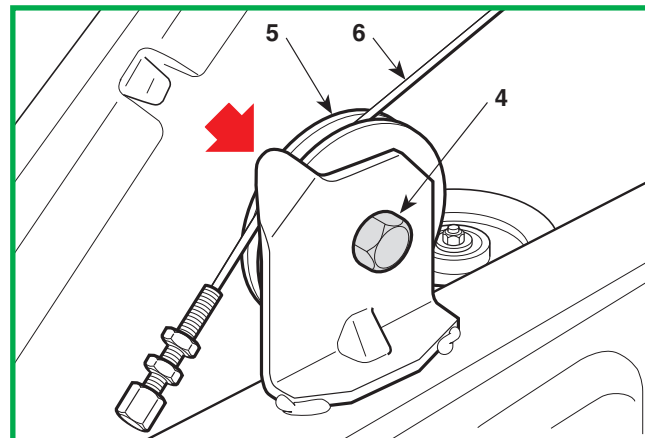
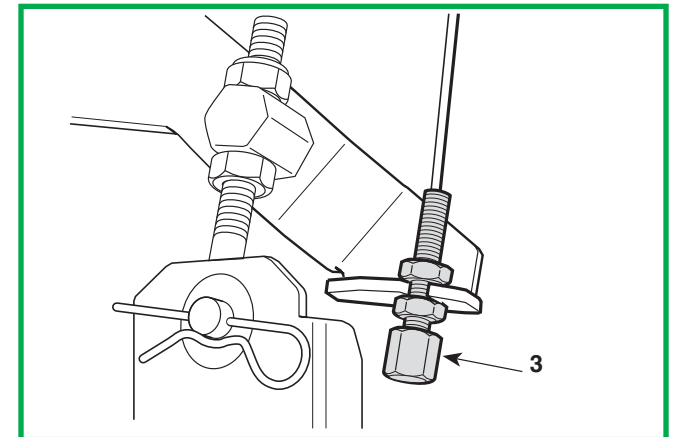
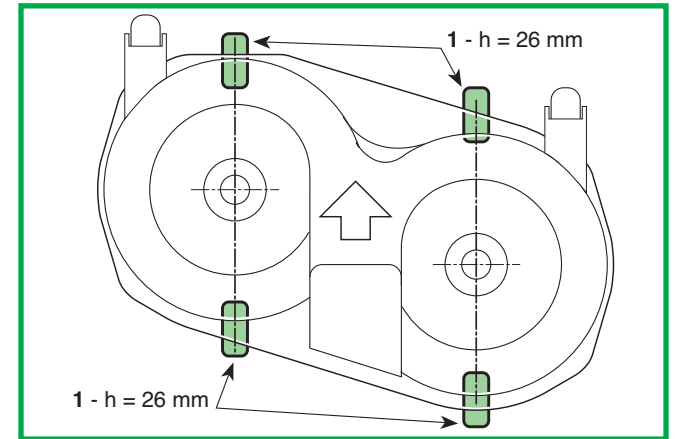
Loosen the screw (4) and remove the drive pulley (5) to slide out the cable (6).

Unhook the end (7) of the cable (6) from the control lever (8) and remove the cable.

To assemble, perform the operations described above in reverse order, making sure the cable (6) correctly passes through the slots (9) and (10).

After restoring adjuster tension (3), the cutting deck should return to the alignment conditions previous to cable replacement. If this is not the case...

- Adjust the alignment of the deck.



# WORKSHOP MANUAL

## 6.10.0 REPLACEMENT OF THE BRAKE PADS AND DISC

1 / 2

### General informations:

---

### Related topics:

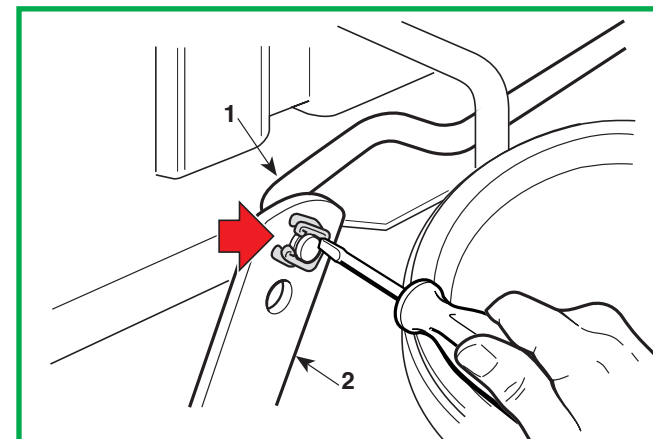
[👁️ 4.2] Brake adjustment

[👁️ 6.1] Removal of the

### ► *mechanical drive models*

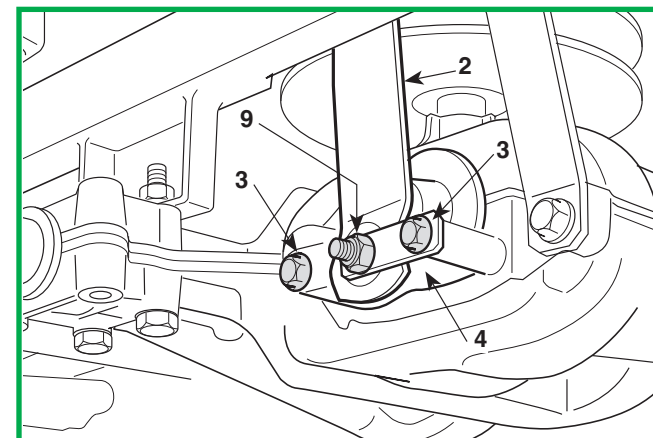
Remove the left-hand rear wheel.

Disconnect the control rod (1) from the lever (2) and undo the two screws (3) which hold on the support (4).



The support (4) contains a pad (5a) separated from the control pistons (6) by a plate (7).

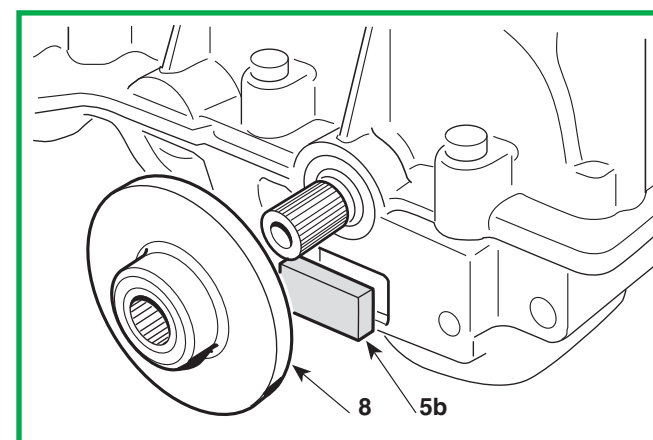
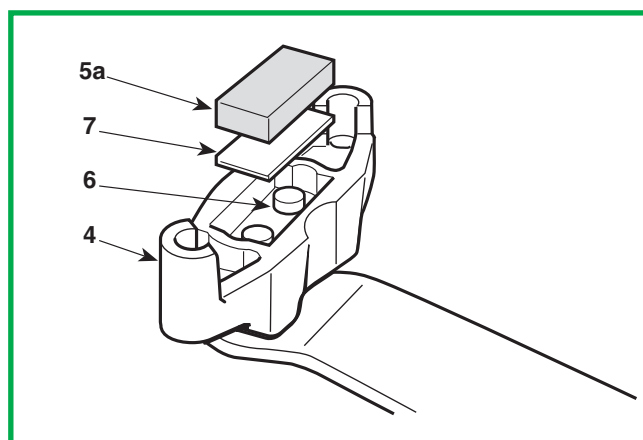
The other pad (5b) can be reached by taking off the disc (8).



If there is oil on the pads, clean with solvent and go over them with fine-grade abrasive paper.



Both pads should be replaced if the depth of either of them is less than 5 mm.





# WORKSHOP MANUAL

## 6.10.0 REPLACEMENT OF THE BRAKE PADS AND DISC

2 / 2

### General informations:

---

### Related topics:

[👁️ 4.2] Brake adjustment

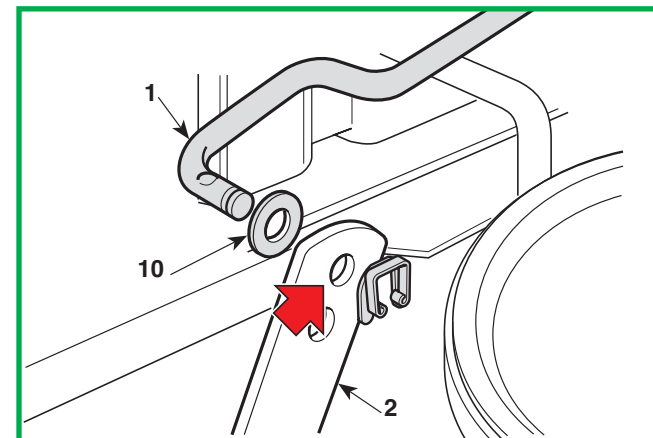
[👁️ 6.1] Removal of the



Renew the disc if it is damaged, distorted or less than 4 mm thick.

On reassembly, carefully reposition all the components and refit the complete support.

When connecting the rod (1) be sure to use the uppermost hole in the lever (2) and replace the washer (10).



### NOTE

During all these operations it is better to not unscrew or loosen the central screw (9) to avoid altering the calibration of the cam driving the pistons.

If it has been moved, the lever's free movement will have to be checked.

When fully reassembled ...

- Check the brake adjustment.

# WORKSHOP MANUAL

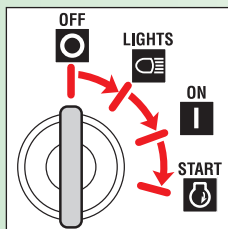
**7.1.0  
TROUBLESHOOTING  
OF THE ELECTRICAL SYSTEM**

1 / 3

**General informations:**

*In the following some of the problems connected to the malfunctioning of the electrical system are shown, with their probable cause and the remedial action to be taken. Should the problem continue after the appropriate checks, seek assistance from your local Service Centre.*

**Faulty electronic cards must always be replaced without trying to repair them or replace single components.**



**Related topics:**

- [👁️ 7.2] Table for the cutting in of the safety devices
- [👁️ 7.3] Safety microswitches operation check
- [👁️ 7.4] Terminal board supply check
- [👁️ 7.6] Starter relay operation check
- [👁️ 7.7] Electronic card operation check
- [👁️ 7.8] Recharge circuit check
- [👁️ 7.9] Care and maintenance of the sealed battery

PROBLEM	CAUSE	REMEDY
<b>1. Activation of the self-resetting protection <sup>1)</sup> ....</b>		
<b>a).... on inserting the key in position «ON»</b>	Battery terminal crossed	Check the battery connections
	Short circuit to earth	Check the connectors and wiring of the microswitches
<b>b) ... in position «START» or after a few seconds' use</b>	Sulphated battery (it no longer accepts recharging)	Replace the battery
	Faulty or wet electronic card	Check and dry with low pressure tepid air (hair-dryer)
	Disconnected or missing battery	Reconnect the battery, which must always be connected
<b>c) ... after several minutes' use</b>	Battery terminals corroded or with poor contact	Check and clean the connections
	Poor or missing earth contact on the charge regulator	Check the earth connections and the screws fastening the regulator
	Overvoltage from a malfunction in the regulator	Check the recharge circuit [see 7.8]
<b>2. With the key in the «ON» position the pilot lamp remains off</b>	Battery disconnected or faulty during use	Check the battery or wiring
	The battery is not supplying the card	Check the connection cables Check the battery's condition [see 7.9]
	Battery or card not earthed to frame	Check and put right
	10 A fuse blown	Replace fuse
<b>3. The pilot lamp comes on but, with the key in the «START» position, the starter motor does not turn or lacks power (poor starting)</b>	Battery terminal crossed	Check connections
	The battery is not supplying sufficient current	Recharge the battery [see 7.9]
	Badly earthed battery, or the starter relay or motor not earthed	Check and put right
	Defect in the starter relay	Check that the starter relay is activated [see 7.6]

<sup>1)</sup> Activation of the self-resetting protection of the electronic card is signalled by the failure of the LED to light, by it switching off during work, by the engine running erratically or stopping.

# WORKSHOP MANUAL

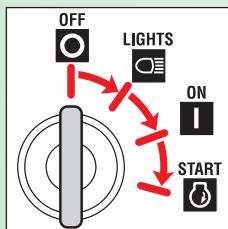
## 7.1.0 TROUBLESHOOTING OF THE ELECTRICAL SYSTEM

2 / 3

### General informations:

In the following some of the problems connected to the malfunctioning of the electrical system are shown, with their probable cause and the remedial action to be taken. Should the problem continue after the appropriate checks, seek assistance from your local Service Centre.

Faulty electronic cards must always be replaced without trying to repair them or replace single components.



### Related topics:

- [👁️ 7.2] Table for the cutting in of the safety devices
- [👁️ 7.3] Safety microswitches operation check
- [👁️ 7.4] Terminal board supply check
- [👁️ 7.6] Starter relay operation check
- [👁️ 7.7] Electronic card operation check
- [👁️ 7.8] Recharge circuit check
- [👁️ 7.9] Care and maintenance of the sealed battery

PROBLEM	CAUSE	REMEDY
4. The pilot lamp is flashing with the key in the «START» position and the starter motor does not turn	Starting not permitted [see summary logic table 7.2]	After checking that the conditions are met, check all the microswitches [see 7.3] and the relative wiring
5. The starter motor turns but the engine does not start	No fuel flow	Check the leads for the carburettor solenoid valve opening control (if provided) or check the fuel stopcock and filter
	Impaired starter system	Check that spark plug caps are positioned correctly Check that the spark plug electrodes are clean and have the correct gap
6. The starter motor continues to turn after engine has started, and does not stop when the key is removed	Mechanical difficulties with the contact breakers of the starter relay	Replace the starter relay
	Starter works erratically for mechanical or electrical reasons taking excessive current and causing binding of relay contacts	Check the starter motor
7. The starter motor operates as soon as the key is in the «ON» position, and can be turned off only by removing the key (pilot lamp on)	Fault in the card	Replace the card
	Starter block operating faults	Replace the block
8. The pilot lamp becomes weak after several hours' work and the engine goes off	Insufficient charge	Check that the charging cable has not detached Check that there are no current leakages caused by cables with damaged insulation Check that the regulator is working properly [see 7.8]
	Charger fuse blown	Replace fuse (25 A) and check the recharge circuit [see 7.8]
9. The engine stops while in use for reasons not due to the safety devices cutting in	The safety devices have cut in or are faulty	Check the microswitch's operation and the relevant wiring [see 7.3 and 7.7]
	Accidental detaching of an electrical wire	Check all wiring
	Starting of engine not permitted [see summary logic table 7.2]	After checking that the conditions are met, check all the microswitches [see 7.3] and the relative wiring

# WORKSHOP MANUAL

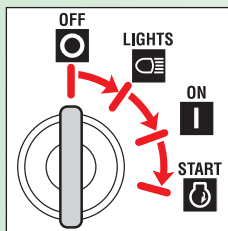
## 7.1.0 TROUBLESHOOTING OF THE ELECTRICAL SYSTEM

3 / 3

### General informations:

*In the following some of the problems connected to the malfunctioning of the electrical system are shown, with their probable cause and the remedial action to be taken. Should the problem continue after the appropriate checks, seek assistance from your local Service Centre.*

**Faulty electronic cards must always be replaced without trying to repair them or replace single components.**



### Related topics:

- [👉 7.2] Table for the cutting in of the safety devices
- [👉 7.3] Safety microswitches operation check
- [👉 7.4] Terminal board supply check
- [👉 7.6] Starter relay operation check
- [👉 7.7] Electronic card operation check
- [👉 7.8] Recharge circuit check
- [👉 7.9] Care and maintenance of the sealed battery

PROBLEM	CAUSE	REMEDY
10. The 10 A fuse blows	Short circuit or overload on the power side of the electronic card (start-up unit, starter relay) lights and recharger connector	Find and replace the defective user [see 7.4 and 7.6]
	Short circuit or damage to the electronic card protection (power side)	Try changing the card with one that is known to work. If the problem stops, replace the faulty card
11. The 25 A fuse blows	Faults in the battery charging circuit	Replace fuse (25 A) and check the recharge circuit [see 7.8]
12. No audible signal for the "grass-catcher full" condition	Malfunctioning or faulty blade switch or microswitch and grass-catcher signalling	Check the switch, the microswitch and wiring. <b>WARNING!</b> - Check that the blade switch stops the engine or prevents it from being started if the acknowledgement conditions are not met [see 7.2]
	Malfunctioning or faulty electronic card	Try changing the card with one that is known to work. If the problem stops, replace the faulty card

# WORKSHOP MANUAL

**7.2.0**  
**TABLE FOR THE CUTTING IN**  
**OF THE SAFETY DEVICES**

1 / 1

**General informations:**

---

**Related topics:**

[👁️ 7.3] Safety microswitches operation check



The following tables show the various situations in which the safety devices intervene.

-/- = Uninfluential

**A) STARTING («START» position)**

OPERATOR	GRASS-CATCHER	BLADES	DRIVE	PARKING	ENGINE	PILOT LAMP
-/-	-/-	-/-	<b>Engaged</b>	-/-	DOES NOT start	Flashing
-/-	-/-	<b>Engaged</b>	-/-	-/-	DOES NOT start	Flashing
<b>Absent</b>	-/-	-/-	-/-	<b>Disengaged</b>	DOES NOT start	Flashing

**B) WHILE CUTTING**

OPERATOR	GRASS-CATCHER	BLADES	DRIVE	PARKING	ENGINE	PILOT LAMP
<b>Absent</b>	-/-	-/-	<b>Engaged</b>	-/-	Stops	ON
<b>Absent</b>	-/-	<b>Engaged</b>	-/-	-/-	Stops	ON
-/-	<b>Missing</b>	<b>Engaged</b>	-/-	-/-	Stops	ON
-/-	-/-	<b>Engaged</b>	-/-	<b>Engaged</b>	Stops	ON
<b>Absent</b>	-/-	-/-	-/-	<b>Disengaged</b>	Stops	ON

# WORKSHOP MANUAL

**7.3.0**  
**SAFETY MICROSWITCHES**  
**OPERATION CHECK**

1 / 1

**General informations:**

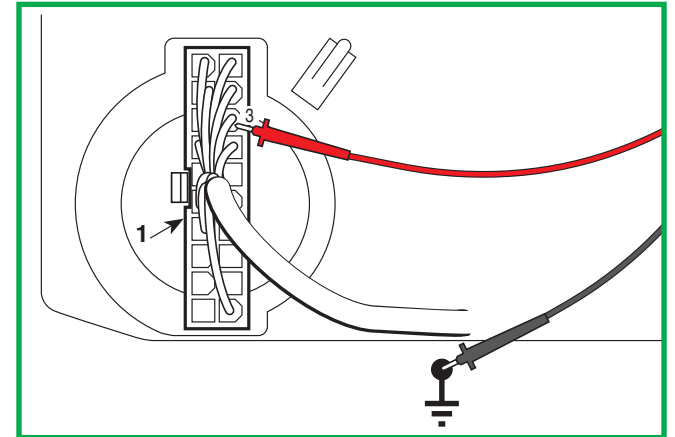
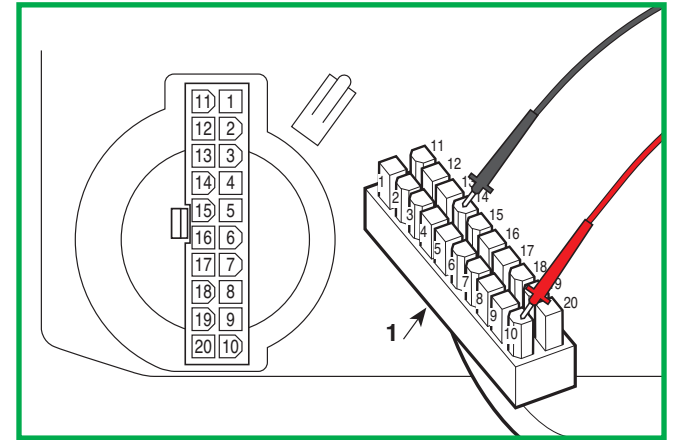
---

**Related topics:**

---

This check is done by disconnecting the connector and using the tester in Ohmmeter mode. This operation should be done, without the driver on board, by making contact with the ferrules on the contacts of the connector of the wiring (1) and should give this result:

N° Contacts	Tester reading and condition		
GRASS-CATCHER ATTACHED MICROSWITCH			
10 - 6	∞ (without g.catc.)	O (with g.catcher)	
SEAT MICROSWITCH			
10 - 14	∞ (absent)	O (seated)	
PARKING MICROSWITCH			
10 - 17	O (free)	∞ (engaged)	
BLADE SWITCH			
10 - 16	∞ (engaged)	O (disengaged)	
"IN NEUTRAL" SIGNAL			
10 - 7	∞ (drive)	O (neutral)	
GRASS-CATCHER FULL MICROSWITCH			
13 - Earth	O (full)	∞ (empty)	
STARTER UNIT			
+ Battery - 11	∞ (OFF)	O (ON)	O (START)
+ Battery - 12	∞ (OFF)	∞ (ON)	O (START)



**ENGINE STOP**

This operation must be done by keeping the connector (1) attached and should give this result:

N° Contacts	Tester reading and condition
3 - Earth	O (Always)

# WORKSHOP MANUAL

## 7.4.0 TERMINAL BOARD SUPPLY CHECK

1 / 1

### General informations:

---

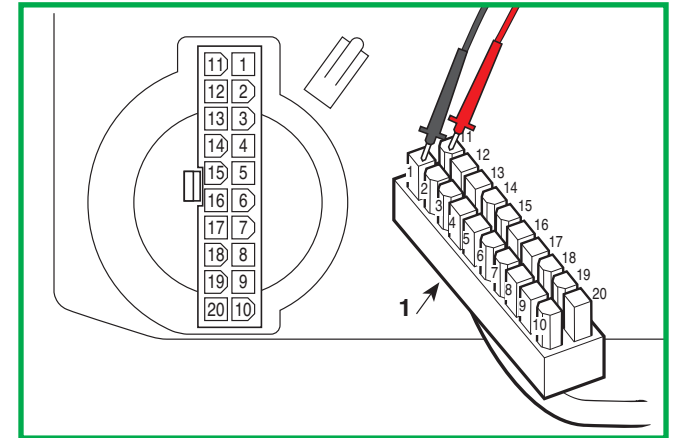
### Related topics:

---

This check is done with the tester in Voltmeter function (Volt DC 0 ÷ 20), with the black ferrule on terminal 1 and the red ferrule on terminal 11 of the wiring connector (1).

- The key in the «ON» position.

The reading shows the battery voltage, which should never go below 11 Volts.



# WORKSHOP MANUAL

## 7.5.0 ELECTROMAGNETIC CLUTCH OPERATION CHECK

1 / 1

### General informations:

---

### Related topics:

[\[👁 7.3\]](#) Safety microswitches operation check

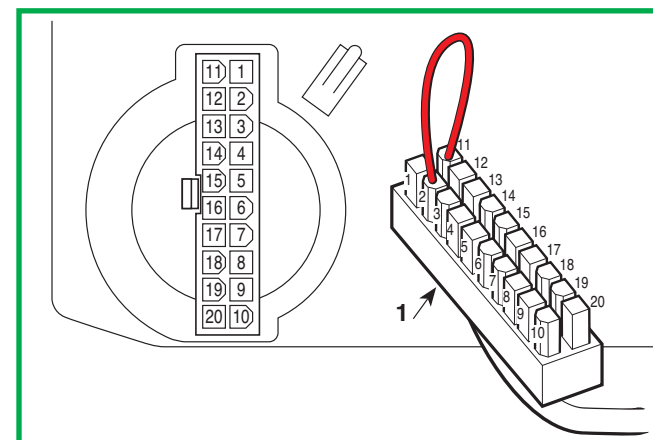
**WARNING!** - This check must be made with the engine off.

Disconnect connector and bridge terminals 2 and 11 of cabling connector (1).

With the key set to «ON», when the switch is operated a click must be heard from the moving part of the clutch, due to excitation of the electric wiring.

If this is not so, check the operation of the cabling and control switch.

The clutch must be replaced if engagement does not take place after these checks.





# WORKSHOP MANUAL

## 7.6.0 STARTER RELAY OPERATION CHECK

1 / 1

### General informations:

---

### Related topics:

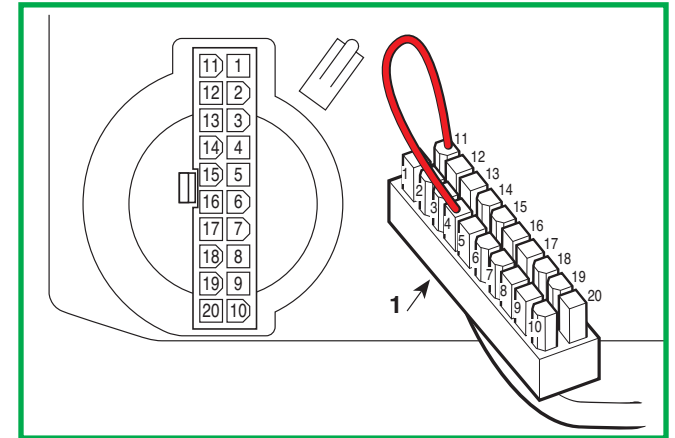
---



**WARNING!** - Remove the cap of the sparking plug (or plugs), since the safety systems that normally prevent accidental starting of the engine are cut out when the checking procedure is carried out.

To do this requires:

- engaging the parking brake;
- disengaging the blade;
- the key in the «ON» position.



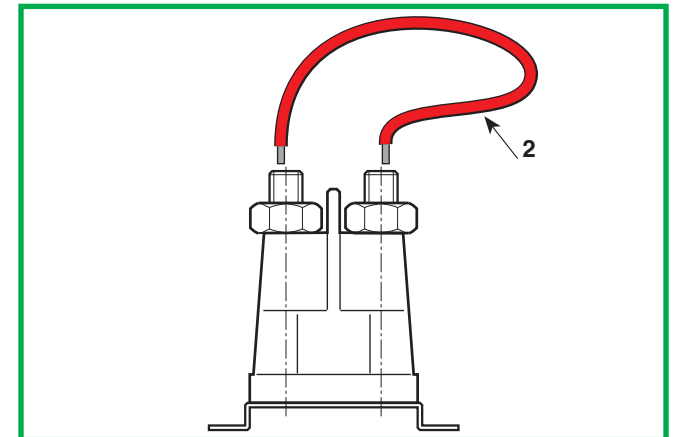
Disconnect the connector (1).

In making a bridge between the terminals 11 and 4 of the wiring connector (1), the click of the relay bobbin should be heard and the starter motor should come into action.

#### ► *only with B&S engines*

If the relay clicks but the starter motor does not go, make a bridge (2) with a large section cable (5 mm<sup>2</sup>) between the power contacts of the relay.

If the starter motor comes into operation, look for the fault within the relay or replace it. Otherwise, check the starter motor together with its wiring.



# WORKSHOP MANUAL

## 7.7.0 ELECTRONIC CARD OPERATION CHECK

1 / 1

### General informations:

---

### Related topics:

---

#### A) Card supply

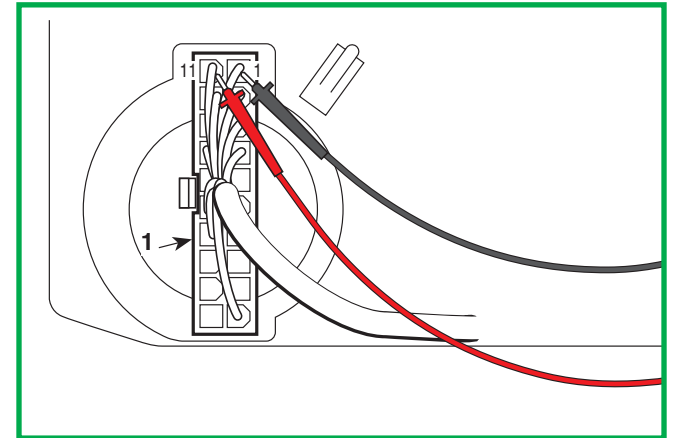
To make this test it is necessary to have:

- The key in the «ON» position
- Connector (1) connected to the card.

In this situation the pilot lamp should come on.

This check is done with the tester in Voltmeter function (Volt DC 0 ÷ 20), with the black ferrule on terminal 1 and the red ferrule on terminal 11 of the wiring connector (1).

The reading on the tester shows the battery's voltage.



#### B) Safety and service supply check

To make this test it is necessary to have:

- The key in the «ON» position
- Connector (1) connected to the card.

This check is done with the tester in Voltmeter function (Volt DC 0 ÷ 20), with the black ferrule to **earth** and the red ferrule on terminal 10 of the wiring connector (1).

#### C) Checking the operation of the self-setting protection

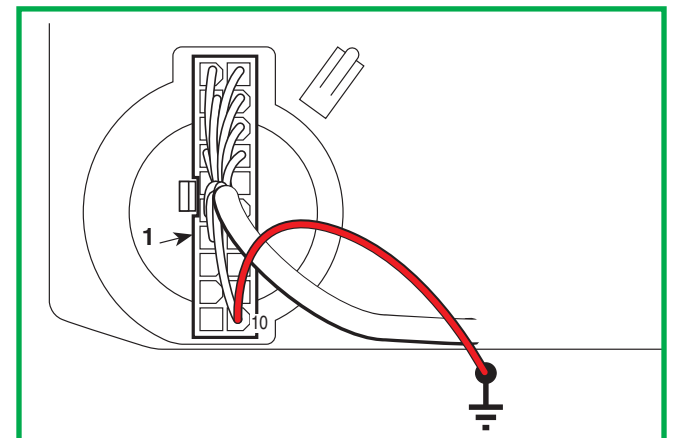
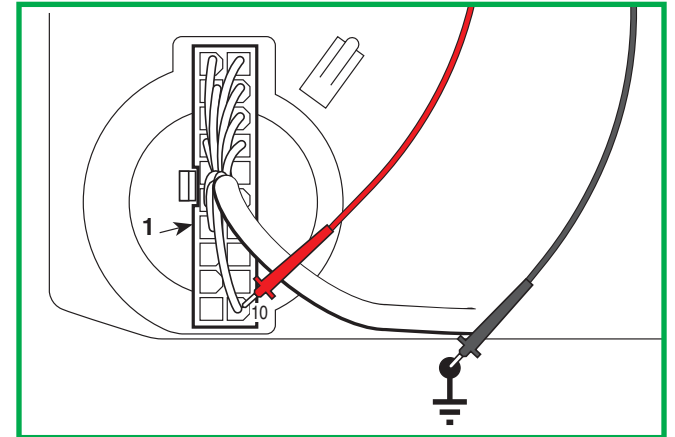
For this test, put everything in the same situation as in point "A".

By connecting terminal 10 of the connector (1) to the frame's earth, the pilot lamp should go out due to the protection cutting in; eliminating the connection to earth, the pilot lamp should come on again.

#### NOTE

During this test, the self-setting protection reaches very high temperatures (around 160 °C) which are to be considered normal. Similarly, there might be some smoke inside the transparent box which is due to the overheating of the powder inside.

**⚠ WARNING! Do not touch this component of the card until it has cooled down.**



# WORKSHOP MANUAL

## 7.8.0 RECHARGE CIRCUIT CHECK

1 / 1

### General informations:

---

### Related topics:

- [👁️ 7.9] Care and maintenance of the sealed battery

The job of the voltage regulator is to supply a flow of current to the battery at a constant voltage of about 14 -15 Volts, cutting in every time that the output voltage from the generator exceeds this threshold.

A faulty regulator may recharge the battery insufficiently (therefore needing frequent recharging) or, otherwise, may supply overloading that causes the self-resetting protection to cut in.

Before checking the recharge circuit, make sure that:

- all connections are correct;
- the earth connections are firmly connected, especially the earth connections to the regulator;
- the battery is charged and not sulphated [see 7.9];
- the charger fuse is not blown.

### A) Checking the lower charging limit

Start the engine and keep running at minimum (with the headlights on).

With the voltmeter tester, measure the voltage at the battery terminals. If the value does not rise but tends to fall, even slowly, it means that the regulator is not charging sufficiently and must be replaced.

If the voltmeter shows no value it means that the charger fuse is blown.

➤ **only with a Honda engine:** check the recharge relay. On moving the key from «OFF» to «ON» and vice versa, the ticking of the relay contacts should be heard; otherwise it should be replaced.

### B) Checking the upper charging limit

Start the engine and take it to maximum speed. With the tester in the voltmeter function, measure the voltage at the battery terminals. The amount should rise and settle at 14-15 Volts after about 10-15 minutes.

If this level is exceeded to a point where the engine stops due to the self-resetting protection device cutting in (at about 16 Volts), it means that the regulator is charging too much and must be replaced.

# WORKSHOP MANUAL

## 7.9.0

### CARE AND MAINTENANCE OF THE SEALED BATTERY

1 / 1

#### General informations:

---

#### Related topics:

---

#### A) General information

In a sealed “dual” battery, the electrolyte for each element is carefully measured out during manufacture and sealed at source, in order to ensure maximum performance during the battery’s entire life.

With a battery of this type, it is not necessary to add water or acid, and the cover must never be opened or removed.

#### B) Recommendations for correct use

To keep the battery performing at optimum levels and to increase its life, various precautions should be taken:

- always keep the battery fully charged;
- always recharge a flat battery within 1 month, otherwise the elements could be damaged and no longer able to take the charge (sulphated);
- always recharge the battery before and after periods of prolonged inactivity or storage.

#### C) Rules for recharging the battery

Recharging is a particularly important operation for the life of the battery and must be carried out according to these instructions:

- do not recharge the battery when its case is broken or damaged;
- carefully read the instructions for using the battery charger and the battery;
- use the appropriate battery charger;
- recharge at a room temperature of between 10° and 30°C;
- check that the battery does not heat to beyond 50°C

while recharging. If it should do so, stop recharging immediately and dispose of the battery since it will be unusable.

With the battery disconnected (and at rest for at least 12 hours) and the tester in voltmeter function, measure the voltage between the terminals. The amount given (open circuit voltage) gives an indication of the operations to be carried out, as per the following table:

Battery voltage with open circuit	Battery state	Operation to be carried out
> 12,6 Volt	Fully charged	None
< 12,4 Volt	Low charge	Recharge

Check the battery voltage at least 12-24 hours after recharging.

# WORKSHOP MANUAL

**7.10.0  
FITTING SAFETY  
MICROSWITCHES**

1 / 1

**General informations:**

---

**Related topics:**

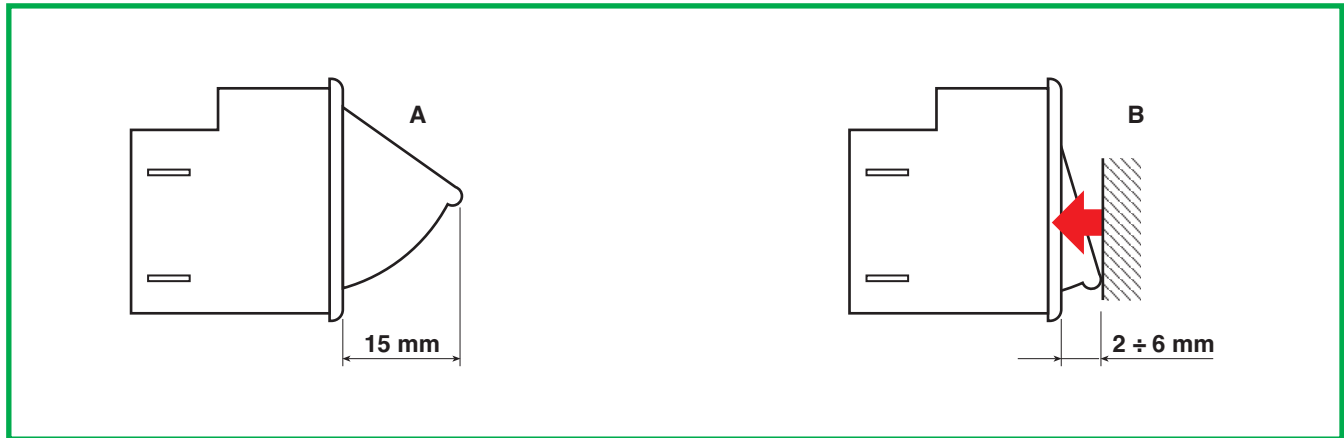
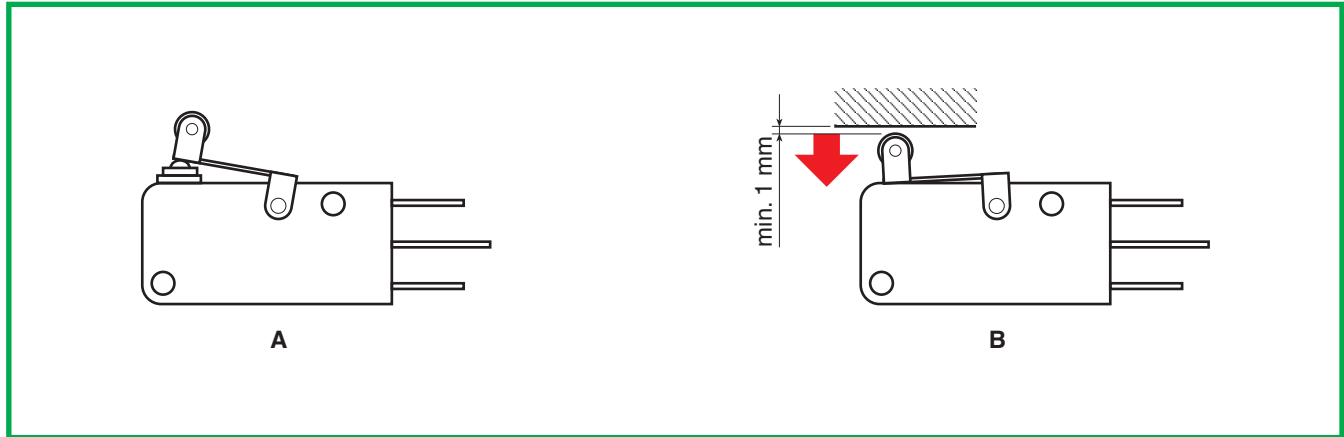
---



**IMPORTANT**

If the microswitches are to function correctly, it is important to follow the exact assembly positions by referring to the drawings that indicate the various usages of each type.

- A = Free
- B = Activated



# WORKSHOP MANUAL

## 7.11.0 ELECTRICAL DIAGRAMS

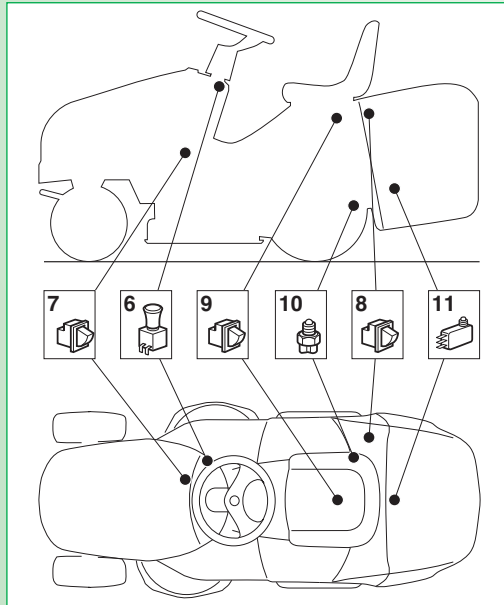
1 / 2

### General informations:

---

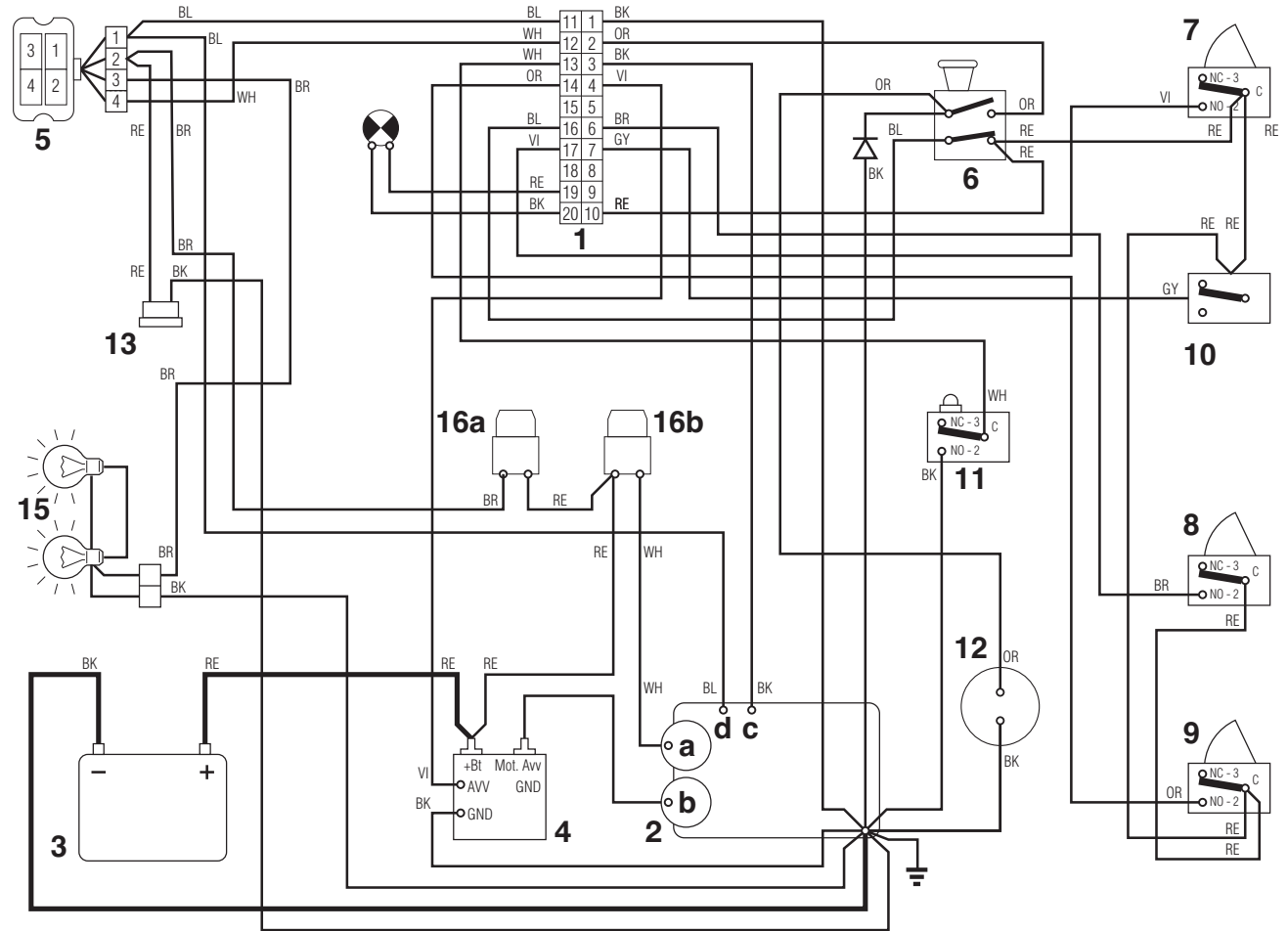
### Related topics:

---



MAP

### ➤ B&S - GGP Engines



- 1 Electronic card
- 2 Engine
- 2a Generator
- 2b Starter motor
- 2c Engine stop
- 2d Carburattor
- 2e Starter relay
- 3 Battery
- 4 Starter relay
- 5 Key ignition switch
- 6 Blades switch
- 7 Brake microswitch
- 8 Grasscatcher microswitch
- 9 Seat microswitch
- 10 Neutral microswitch
- 11 Grasscatcher full microswitch
- 12 Clutch
- 13 Recharge connector

- 15 Headlight
- 16a 10 A fuse
- 16b 25 A fuse
- 17 Recharge relay
- 18 Recharge regulator

#### CABLE COLOURS

- BK Black
- BL Blue
- BR Brown
- GY Grey
- OR Orange
- RE Red
- VI Violet
- WH White

# WORKSHOP MANUAL

## 7.11.0 ELECTRICAL DIAGRAMS

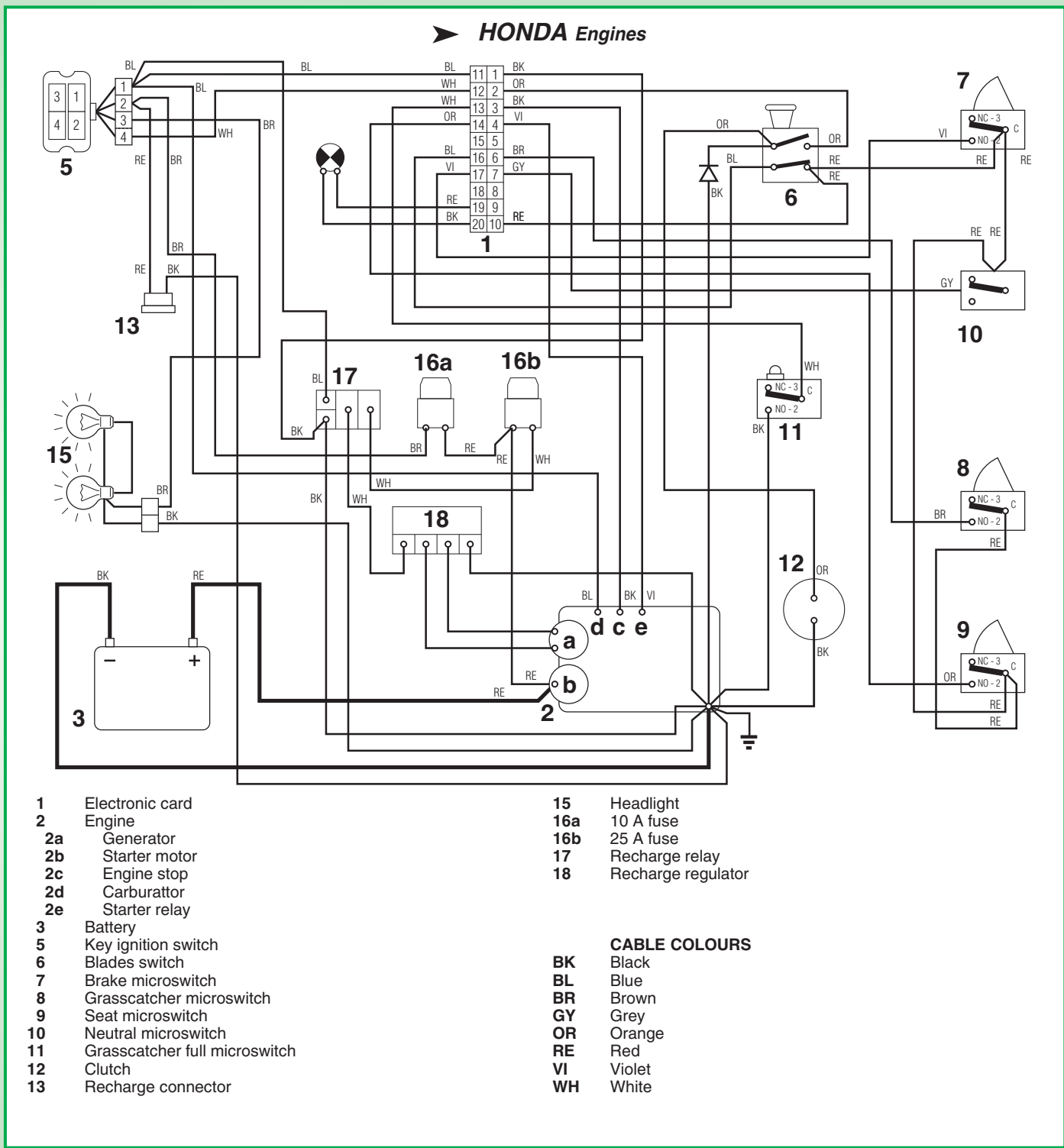
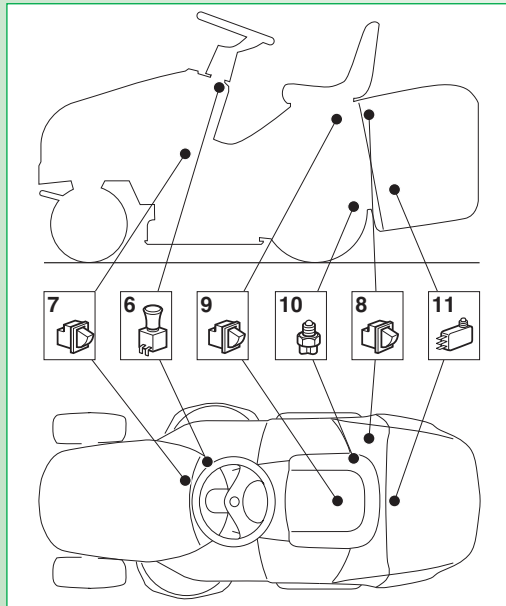
2 / 2

### General informations:

---

### Related topics:

---



# WORKSHOP MANUAL

## 8.1.0 TIGHTENING TORQUES AND ADJUSTMENTS SUMMARY

1 / 1

### General informations:

---

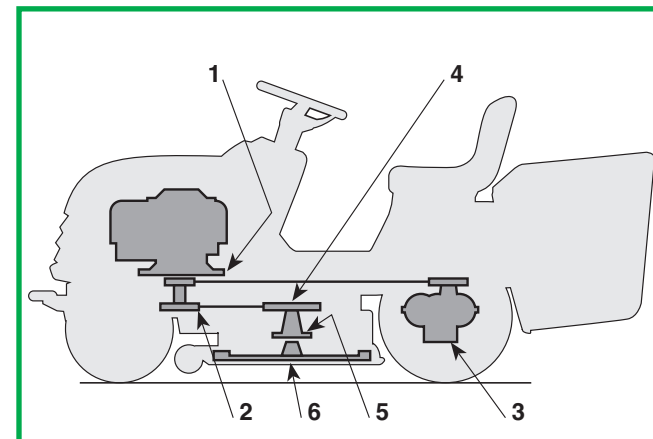
### Related topics:

- [👁️ 4.1] Adjusting the engagement and checking the blade brake
- [👁️ 4.2] Brake adjustment
- [👁️ 4.3] Drive belt adjustment

### A) Tightening torques

Below are the specified tightening torques for the fixing bolts on the main parts.

- 1 Screws for engine fastening ..... 35 ÷ 40 Nm
- 2 Screw for engine pulley ..... 45 ÷ 50 Nm
- 3 Rear axle locknut ..... 25 ÷ 30 Nm
- 4 Screws for blades pulleys fastening ... 20 ÷ 25 Nm
- 5 Nuts for flange support ..... 25 ÷ 30 Nm
- 6 Screw for blades ..... 45 ÷ 50 Nm



Every section in this manual gives values for all the components involved in each operation.

### B) Adjustments

Operation	Position	Position of controls	Adjustment
a) Brake adjustment			43,5 - 45,5 (Dana) 40 - 42 (Hydro Gear) 
b) Drive belt adjustment			000 - 000 
c) Adjustment the engagement and checking the blade brake			82 - 85 



# WORKSHOP MANUAL

## 8.2.0 BELTS ASSEMBLY

1 / 1

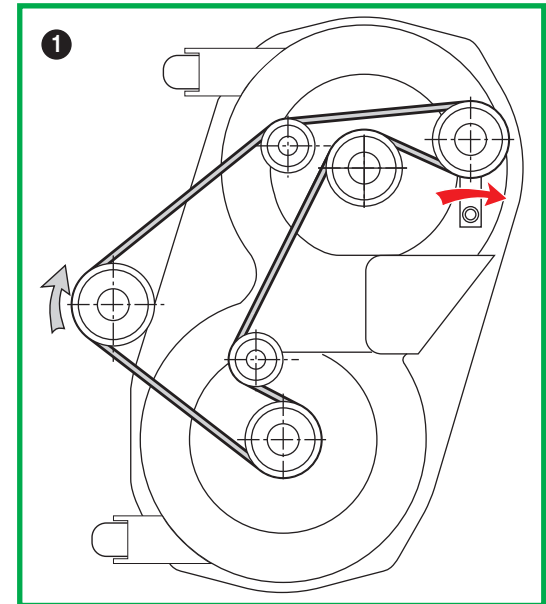
**General informations:**

---

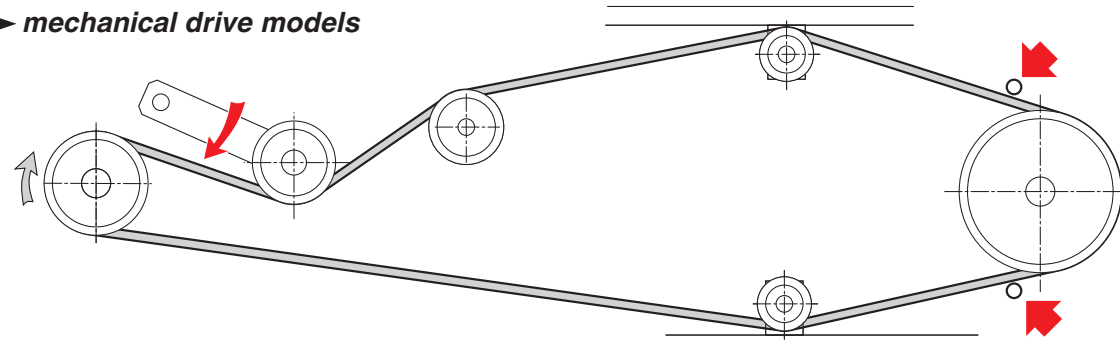
**Related topics:**

---

- 1 Blades belt development
- 2 Drive belt development



**2** ➤ *mechanical drive models*



➤ *hydrostatic drive models*

