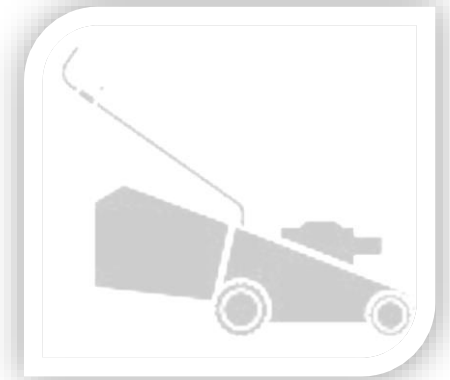
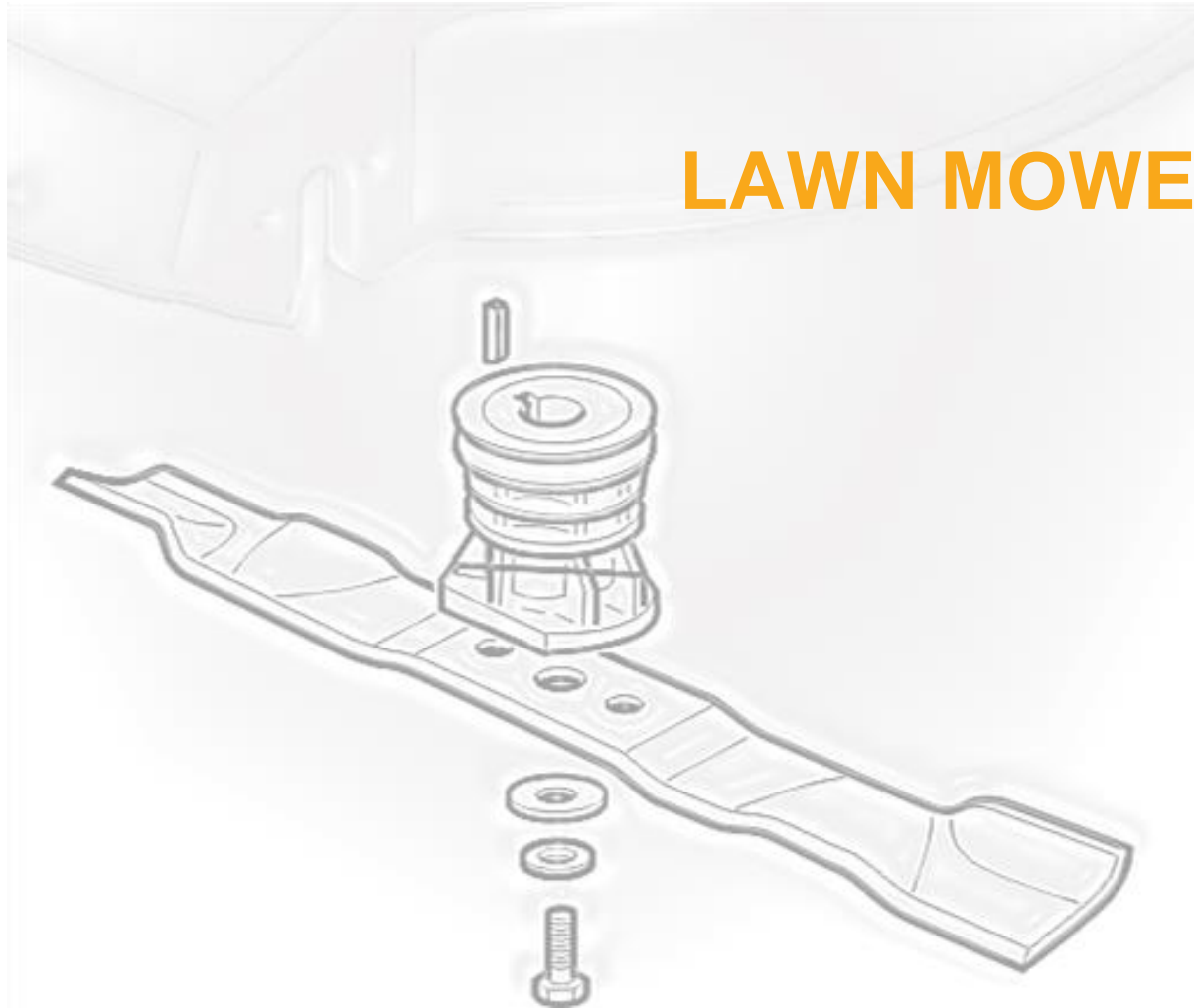


LAWN MOWERS BLADE TORQUE



PETROL Models

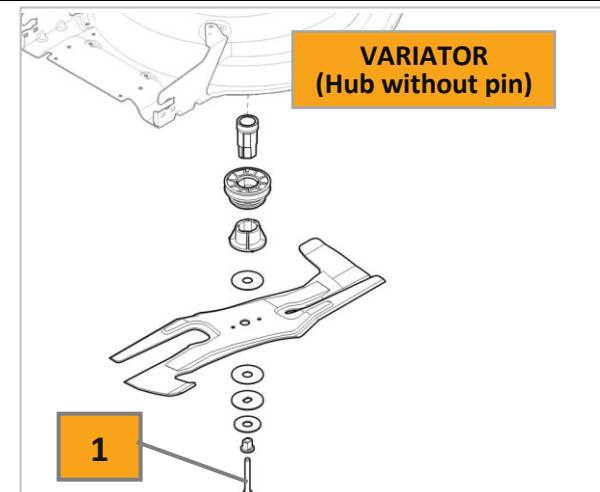
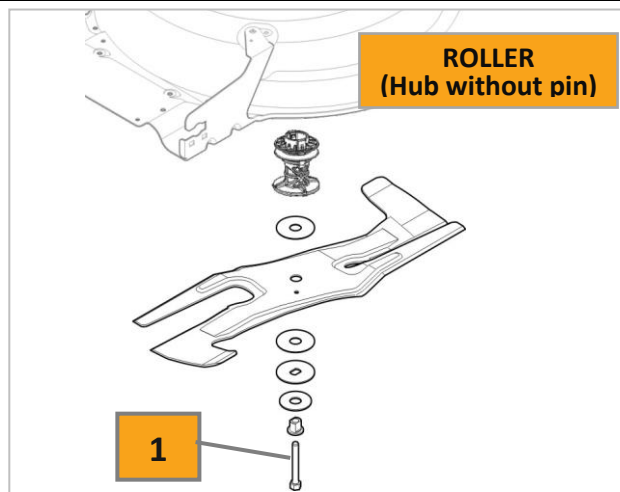
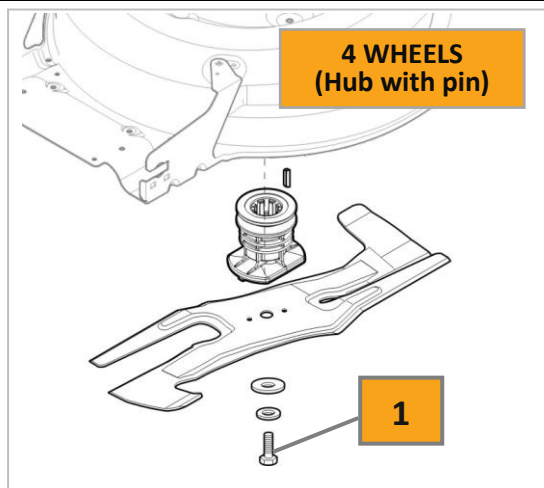


PETROL
LAWN MOWER

LAWN MOWERS BLADE TORQUE

Tighten the screw (1) accordingly the values listed in the following tables.

| TECHNICAL LINE | MODEL with.... | Type (Omologation Name) | MODEL NAME per BRAND | | | | | Torque (Nm) | |
|--------------------|--|-------------------------|---|---|---------------------------|------------------------------------|---|-------------|---------|
| | | | | | | | | | |
| MP2 PETROL (50-55) | 4 WHEELS (Hub with pin) | MP2 50 | TWINCLIP 50 SEQ B TWINCLIP 50 S | - | - | - | - | 40 ÷ 45 | |
| | | MP2 55 | TWINCLIP 55 S B TWINCLIP 55 SEQ B TWINCLIP 55 SQ B TWINCLIP 55 S H BBC | - | - | - | - | | |
| | ROLLER (Hub without pin) | MP2 50 | - | - | S501R PD | - | - | | 50 ÷ 55 |
| | | MP2 55 | TWINCLIP 55 S-R H BBC | - | - | - | - | | |
| | VARIATOR 4 WHEELS & ROLLER (Hub without pin) | MP2 50 | TWINCLIP 50 SV H TWINCLIP 50 SVEQ B TWINCLIP 50 SVE-R B | - | SP505 V SP505R V | LINER 19S V LINER 19SE V | - | XM 50-55 | |
| | | MP2 50-55 | TWINCLIP 55 SV H TWINCLIP 55 SVEQ B | - | SP505 - 555 V SP555R V | LINER 22SH V QUATTRO 22S V 4in1 | - | | |

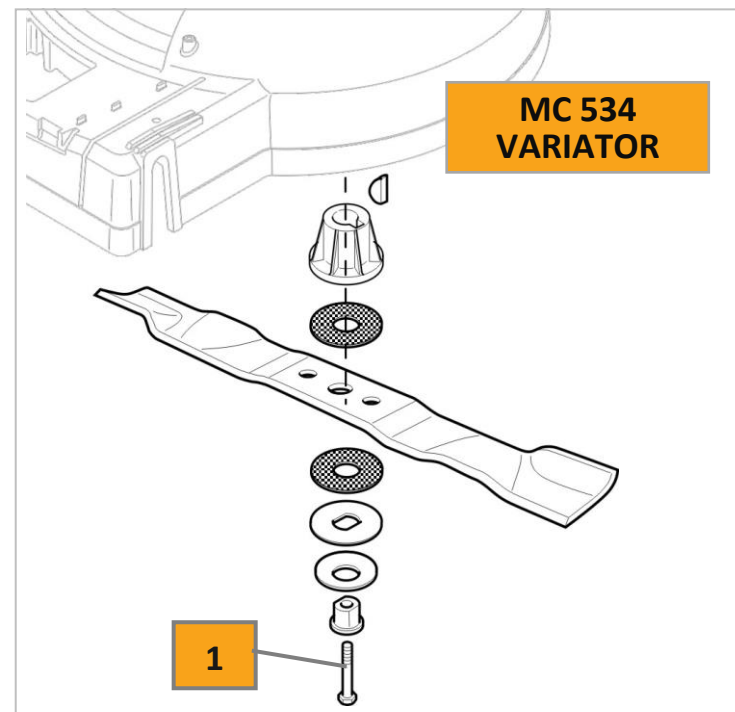
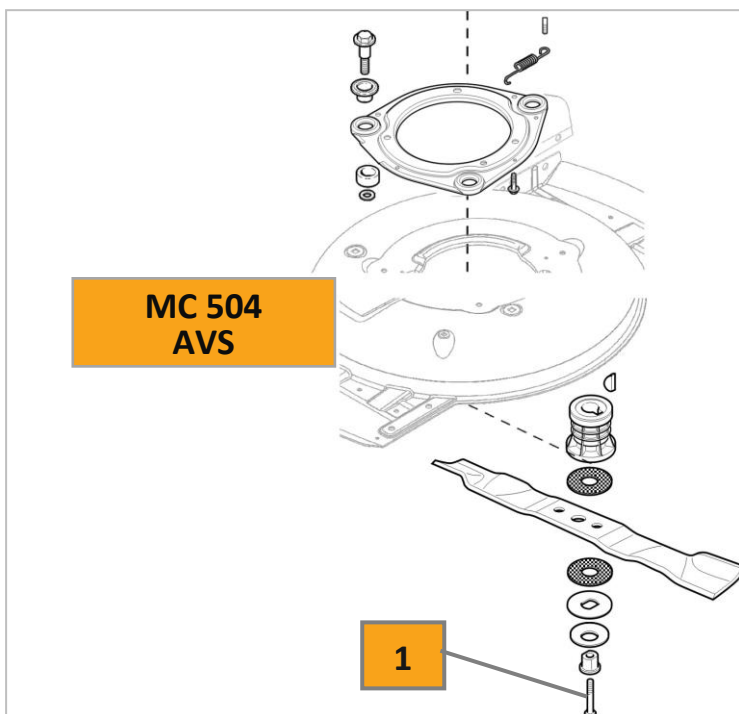




LAWN MOWERS BLADE TORQUE

Tighten the screw (1) accordingly the values listed in the following tables.

| TECHNICAL LINE | MODEL with.... | Type (Omologation Name) | MODEL NAME per BRAND | | | | | Torque (Nm) |
|-------------------------------|----------------|-------------------------|---|---------------|-------------------|-------------|---------------------|-------------|
| | | | STIGA | ALPINK | Mountfield | ATCO | CASTELGARDEN | |
| MULTICLIP STEEL (MCS 50) | AVS | MCS 504 | MULTICLIP RENTAL 50 S B MULTICLIP PRO 50 MULTICLIP PRO 50 S | BL 480 M | MULTICLIP 500 PD | - | - | 40 ÷ 45 |
| MULTICLIP ALLUMINIUM (MCS 53) | VARIATOR | MC 534 | MULTICLIP PRO 53 SV MULTICLIP PLUS 50 SEV B | - | - | - | - | |



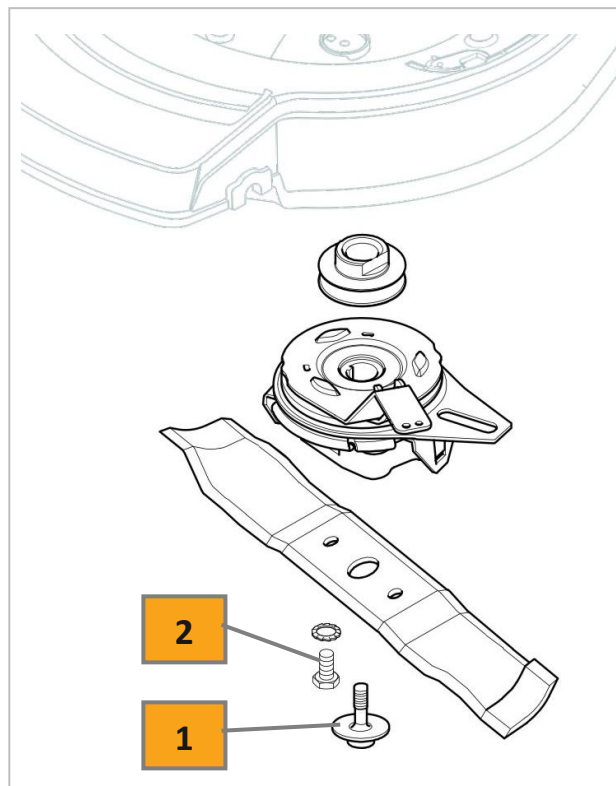
SERVICE INFO



LAWN MOWERS BLADE TORQUE

Tighten the screws (1 and 2)) accordingly the values listed in the following tables.

| TECHNICAL LINE | MODEL with.... | Type (Omologation Name) | MODEL NAME per BRAND | | | | | Torque (Nm) | |
|--------------------|----------------|-------------------------|----------------------|------------|---------------|------|--------------------|-------------|---------|
| | | | STIGA | ALPINK | Mountfield | ATCO | CASTELGARDEN | | |
| NEW TREND NT 53 | BBC | NT 534 | TURBO 53 SQ H BBC | AL7 51 SHC | SP 534 HW BBC | - | XSPW 57 MBS BBC | 1 | 60 ÷ 70 |
| | | | | | | | | 2 | 50 ÷ 55 |

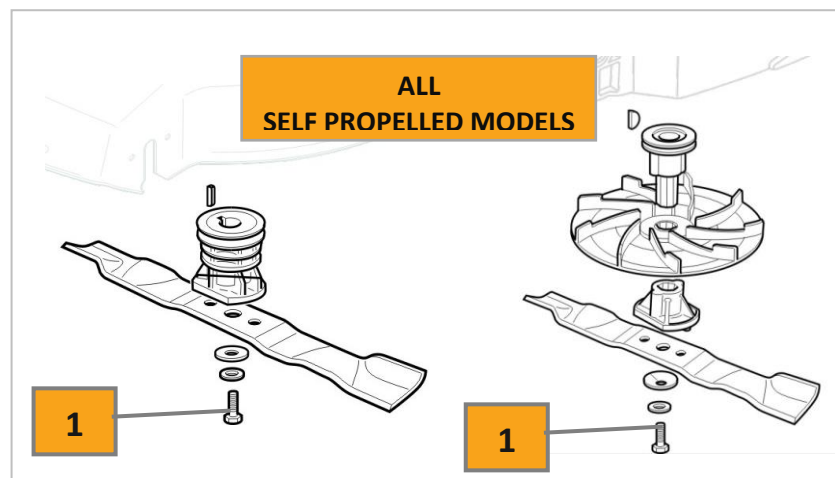
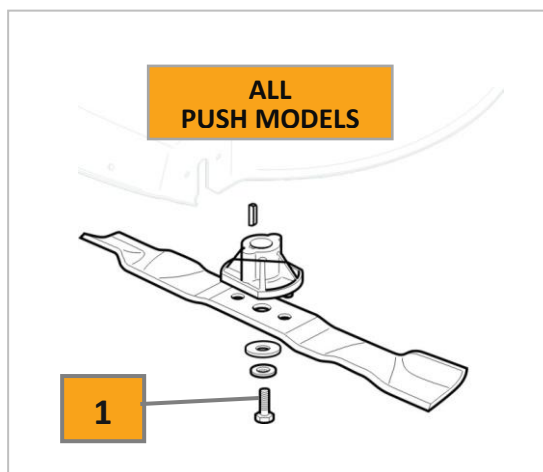




LAWN MOWERS BLADE TORQUE

Tighten the screws (1) accordingly the values listed in the following tables.

| TECHNICAL LINE | Type (Omologation Name) | MODEL NAME per BRAND | | | | | Torque (Nm) |
|------------------------|----------------------------|---|---|--|-----------------------------|--|----------------|
| | | STIGA | ALPINK | Mountfield | ATCO | CASTELGARDEN | |
| CRUISER 43/48/53 | CR434/484 CS434/484/534 | COMBI 48 – 53 COLLECTOR 43 – 48 ... | A 410-460-510.... (AL3 - AL4) 46-51 ... BL 410-46-510.... | S42-46-..... SP42-46-48-53.... | QUATTRO 16-18 CLASSIC 20 | XC 43-46-48-53.... XR 48-53.... XSEW 50-55.... | 35 ÷ 40 |
| CP-1 43/48/53 | CP1 434/484/534 | COMBI 43 – 48 COLLECTOR 43 – 48 ... | AL5 51 | (S – SP) 42-46-..... HP42-45..... HP185 | QUATTRO 16 CLASSIC 16-18 | - | |
| DINO 47 | DI 474 | DINO 47 | A450 – BL 450 | - | - | - | |
| EURO STEEL 41/46/53 | ES 414-464-534... | COLLECTOR 46-53..... COMBI 46-43..... | BL 390 – BL 440..... | HP 180-183-184-185... SP 180-183-184-185... SP 45-46-53..... | - | - | |
| PLASTIC EP 41/43 | EP 414-EPL424 | - | - | EP 414-HP41-SP41... | QUATTRO 14-15 | - | |
| MP1 50/55 | MP1 504-534-554 | COMBI 50 – 55 | (AL6-AL8) 48-53.. | S48-SP48-SP53..... HW 53 | QUATTRO 19 | XS 50 -55..... | |





PETROL
LAWN MOWER

LAWN MOWERS BLADE TORQUE

Tighten the screws (1) accordingly the values listed in the following tables.

| TECHNICAL LINE | Type (Omologation Name) | MODEL NAME per BRAND | | | | | Torque (Nm) |
|-----------------------|----------------------------|--|---|--|---------------------------------|------------------------------------|-------------|
| | | STIGA | ALPINK | Mountfield | ATCO | CASTELGARDEN | |
| MULTICLIP 47/50 | MCS 474 - 504 | MULTICLIP 47-50... MULTICLIP PLUS 50... MULTICLIP PRO 50... MULTICLIP RENTAL 50 MULTICLIP EURO 50... | A 480 BL 450 - 480 | MULTICLIP 500 | - | XSM 50 | 35 ÷ 40 |
| NEW TREND 43/48/53 | NT 434-484-534 | COMBI 48-53..... TURBO 48-53..... | AL 5 46 -51..... AL 6 46 -51..... PREMIUM 4800-5300 | HP42-46 S42-46-51 SP42-46-53 S510 | LINER 16-18... QUATTRO 18-20 | XS 43-48-50-53... XSW 50-55.... | |
| NEW POWER NP53 | NP 534 | TURBO POWER 53.... | AL 7 51..... PREMIUM 5300..... | SP53-55 | QUATTRO 21-22 LINER 22 | XA 53-55 | |
| PAN 50 | PAN 504 | TURBO POWER 50.... | AL7 48... | SP500 | LINER 19 QUATTRO 19 | XA 50 | |
| TESTAROSSA 43/48 | T 484 | - | AL6 46 | - | - | XTR 48 | |

