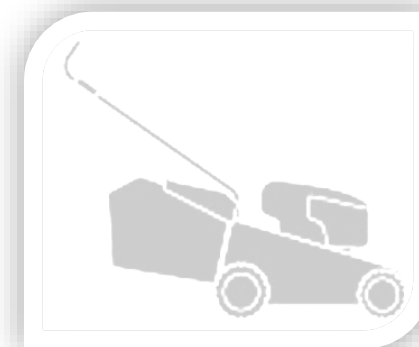
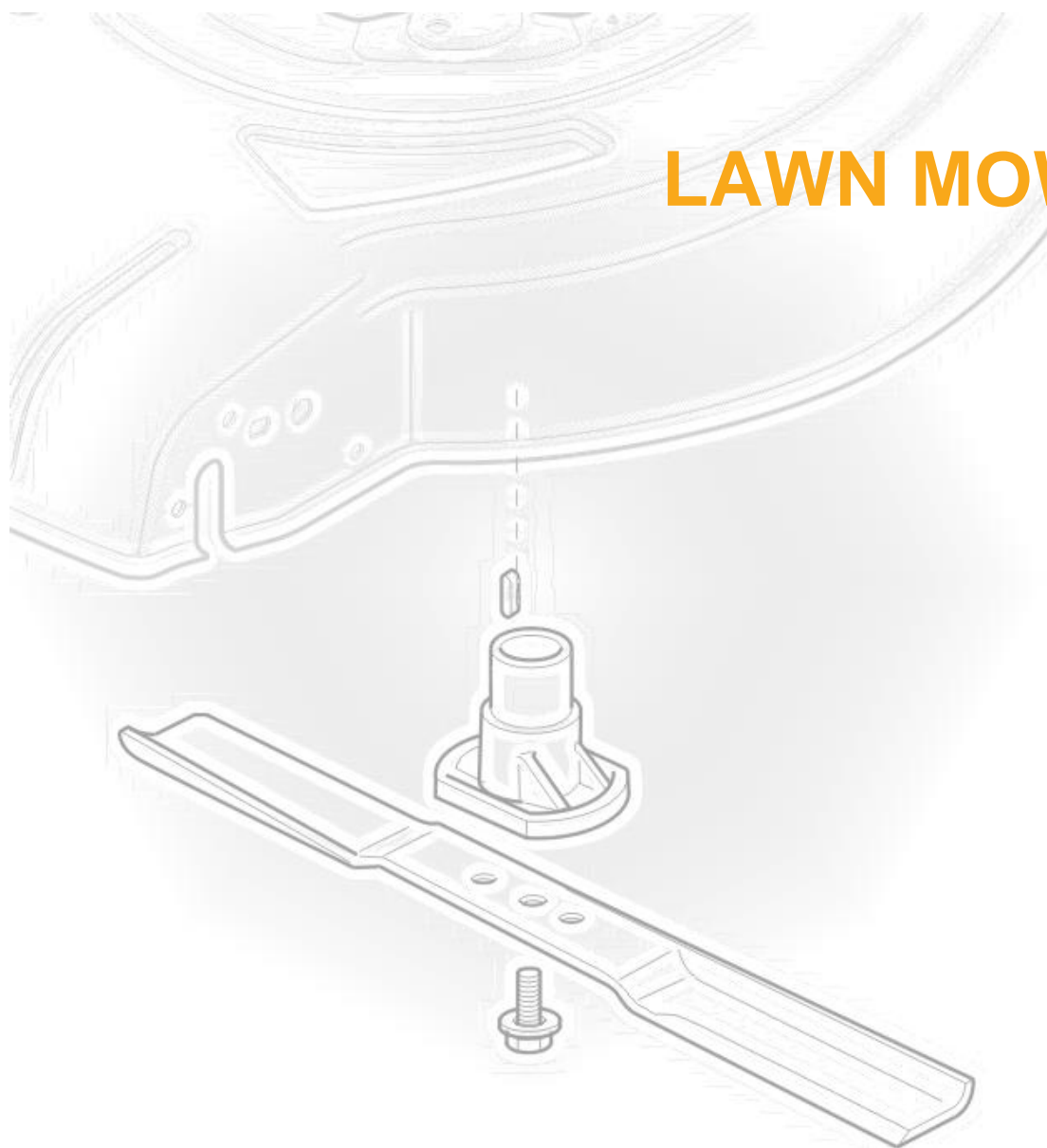


# LAWN MOWERS BLADE TORQUE



**BATTERY Models**

### BATTERY

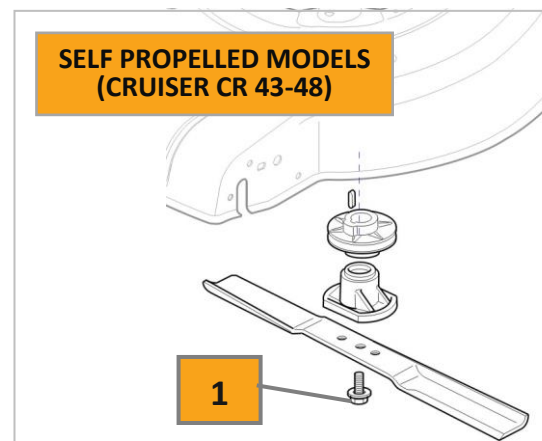
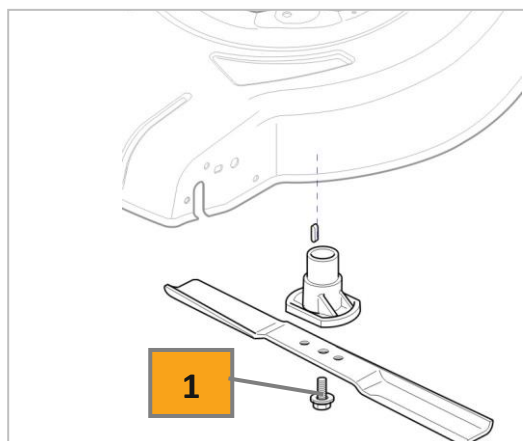
#### LAWN MOWER



### LAWN MOWERS BLADE TORQUE

Tighten the screw (1) accordingly the values listed in the following tables.

BATTERY VOLT	TECHNICAL LINE	Type (Omologation Name)	MODEL NAME per BRAND					Torque (Nm)
			STIGA	ALPINK	Mountfield	ATCO	CASTELGARDEN	
80 V	CRUISER CR 43-48	CS 43 Li 80	COMBI 43 AE COMBI 43 S AE	AL3 41 Li	S42R PD Li S42 HP Li	LINER 16S Li	-	18 ÷ 22
		CS 48 Li 80	COMBI 48 AE COMBI 48 S AE COMBI 48 SQ AE	AL3 46 Li AL3 46 S Li BL 460 S Li	S46R PD Li S46 HP Li	LINER 18S Li	XC 48 S Li	
	MP1 50-55	MP1 500 Li 80	COMBI 50 S AE	-	-	-	XS 50 S Li	
		MP1 550 Li 80	COMBI 55 S AE	-	-	-	-	
	MULTICLIP STEEL BATTERY MCS 47-50	MCS 470 Li 80	MULTICLIP 47 AE MULTICLIP 47 S AE	-	-	-	-	
MCS 500 Li 80		MULTICLIP 50 AE MULTICLIP 50 S AE	-	-	-	-		



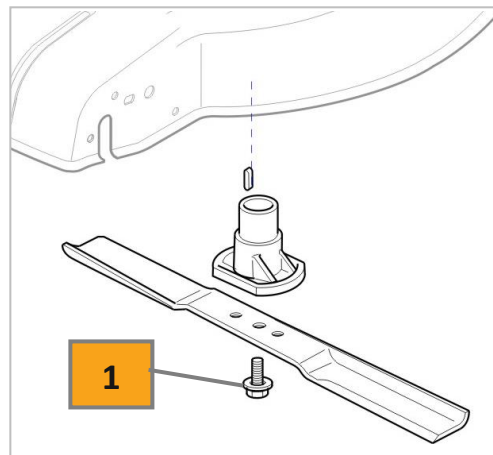


### BATTERY LAWN MOWER

### LAWN MOWERS BLADE TORQUE

Tighten the screw (1) accordingly the values listed in the following tables.

BATTERY VOLT	TECHNICAL LINE	Type (Omologation Name)	MODEL NAME per BRAND					Torque (Nm)
			<b>STIGA</b>	<b>ALPINK</b>	<b>Mountfield</b>	<b>ATCO</b>	<b>CASTELGARDEN</b>	
<b>48 V</b>	<b>CP-1 BATTERY 43-48-53</b>	CP1 430 Li D48 CP1 480 Li D48 CP1 480 Li D48 CP1 480 AQ Li D48 CP1 480 AWSQ Li D48 CP1 530 S Li D48 CP1 530 ASQ Li D48	COMBI 43 Q DAE COMBI 43 Q DAE COMBI 748 Q AE COMBI 748 Q AE Kit COMBI 748 SQ AE COMBI 748 DAE COLLECTOR 543 AE Kit COLLECTOR 548 S AE Kit COMBI 753 SQ AE	AL5 4648 Li Kit AL5 4648 S Li Kit AL5 5148 S Li Kit	EMPRESS 41 Li EMPRESS 46 Li EMPRESS 51 Li	-	-	<b>18 ÷ 22</b>



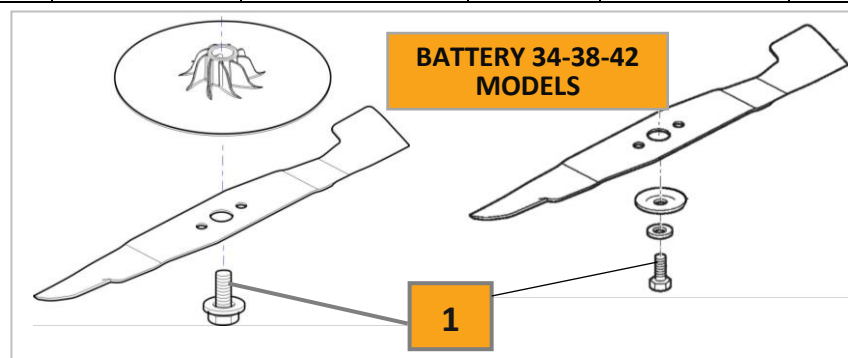
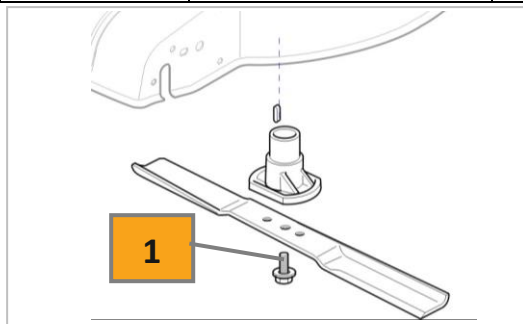


### BATTERY LAWN MOWER

### LAWN MOWERS BLADE TORQUE

Tighten the screw (1) accordingly the values listed in the following tables.

BATTERY VOLT	TECHNICAL LINE	Type (Omologation Name)	MODEL NAME per BRAND					Torque (Nm)	
48 V	MP1 50-55	MP1 500 Li D48 MP1 500 ASQ Li D48	COMBI 50 SQ DAE COMBI 950 SQ DAE	-	-	-	-	18 ÷ 22	
		MP1 550 Li D48 MP1 550 AWSQ Li D48	COMBI 55 SQ DAE	-	-	-	-		
	MP2 50-55	MP2 500 Li D48	TWINCLIP 50 SQ DAE TWINCLIP 950 SQ AE	-	-	-	-		
	MULTICLIP STEEL MCS 47-50	MCS 470 Li D48 MCS 470 ATR Li D48	MULTICLIP 47 DAE MULTICLIP 47 S DAE MULTICLIP 547 AE MULTICLIP 747 S AE	-	-	-	-		
		MCS 500 ATR Li D48 MCS 500 ATRX Li D48	MULTICLIP 50 SX DAE MULTICLIP Pro 50 SX DAE MULTICLIP Pro 50 SX AE	-	-	-	-		
	BATTERY 34-38-42	EL 340	COMBI 36 AE SLM 3448 - SLM 3648	AL1 34 Li BL 340 Li	PRINCESS 34 Li	-	-		25 ÷ 30
			SLM 536	-	-	-	-		
		EL 380	COMBI 40 AE - SLM 4048	AL1 38 Li BL 380 Li	PRINCESS 38 Li	-	XP 40 S Li		18 ÷ 22
			SLM 540	-	-	-	-		25 ÷ 30
	EL 420	SLM 544	-	-	-	-	25 ÷ 30		



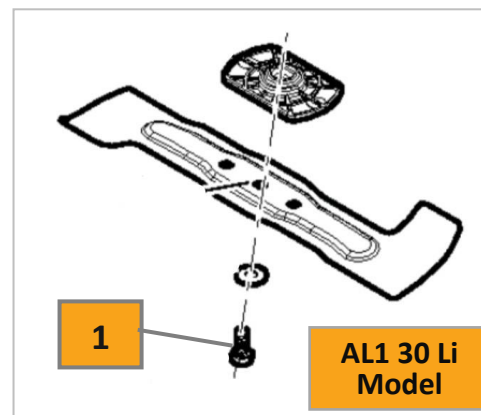
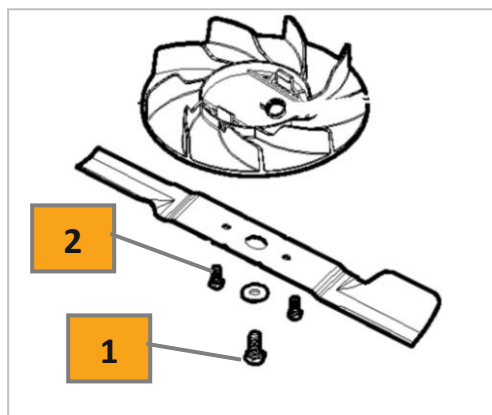


### BATTERY LAWN MOWER

### LAWN MOWERS BLADE TORQUE

Tighten the screws (1-2) accordingly the values listed in the following tables.

BATTERY VOLT	TECHNICAL LINE	Type (Omologation Name)	MODEL NAME per BRAND					Torque (Nm)
			STIGA	ALPINK	Mountfield	ATCO	CASTELGARDEN	
40 V	EB	E 300 LI 40 A	-	AL1 30 Li	-	-	-	15 ÷ 20
		E 340 LI 40 A	-	AL1 34 Li	-	-	-	
		E 380 LI 40 A	-	AL1 38 Li	-	-	-	
20 V	EB20V	E 300 LI 20 A	COLLECTOR 132 AE Kit	AL1 3020 LI Kit	ELECTRESS 30 Li Kit	-	-	1 15 ÷ 20 Nm 2 8 ÷ 11 Nm
		E 300 LI 20 S						
		E 340 LI 20 A	COLLECTOR 136 AE Kit	AL1 3420 LI Kit	ELECTRESS 34 Li Kit	-	-	
		E 340 LI 20 S						
		E 380 LI 20 A	COLLECTOR 140 AE Kit	AL1 3820 LI Kit	ELECTRESS 38 Li Kit	-	-	
		E 380 LI 20 S						





### BATTERY LAWN MOWER

### LAWN MOWERS BLADE TORQUE

Tighten the screw (1) accordingly the values listed in the following tables.

BATTERY VOLT	TECHNICAL LINE	Type (Omologation Name)	MODEL NAME per BRAND					Torque (Nm)
60 V	CRUISER CR 43-48-53	CR 43 Li 60	Combi 43 MAE	BL 410 Li/BL 410 S Li	-	-	XC 43 S Li	18 ÷ 22
		CR 48 Li 60	Combi 48 Q MAE Combi 48 SQ MAE	BL 460 Li/BL 460 S Li			XC 48 S Li	
		CR 53 Li 60	Combi 53 SQ MAE	BL 510 S Li			-	
	CP-1 BATTERY 43-48	CP1 430 Li 60	-	-	S42 PD Li	Quattro 16 S Li	-	
		CP1 480 Li 60	-	-	S46 PD Li	Quattro 18 S Li	-	
MULTICLIP STEEL BATTERY MCS 47-50	MCS 470 Li 60	Multiclip 47 MAE	-	-	-	-		

