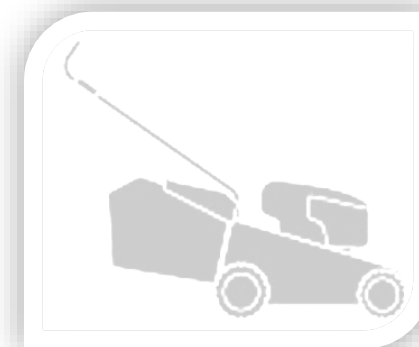
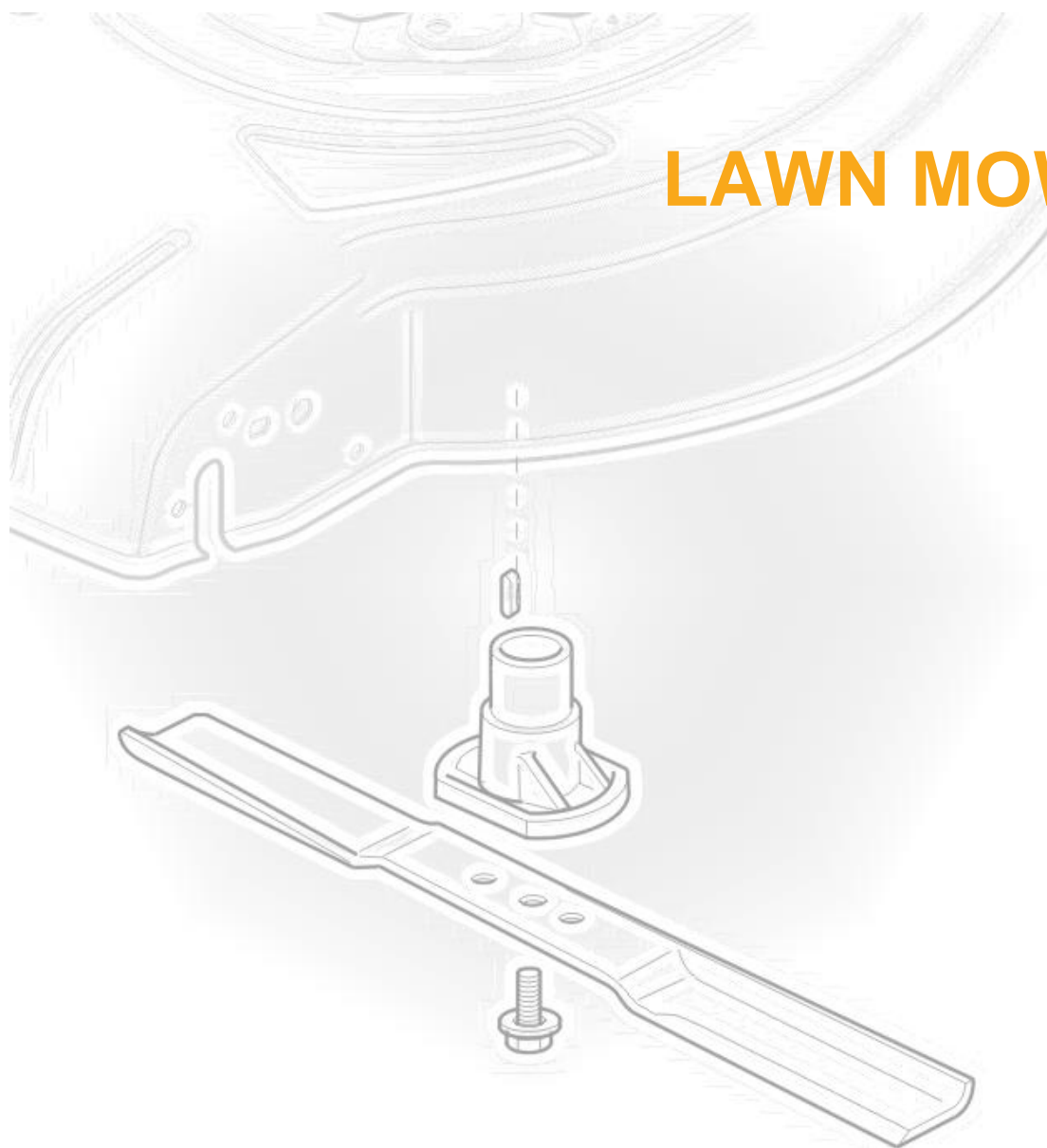


LAWN MOWERS BLADE TORQUE



BATTERY Models

BATTERY

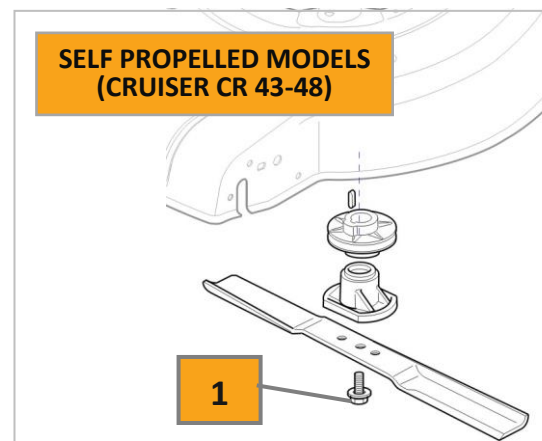
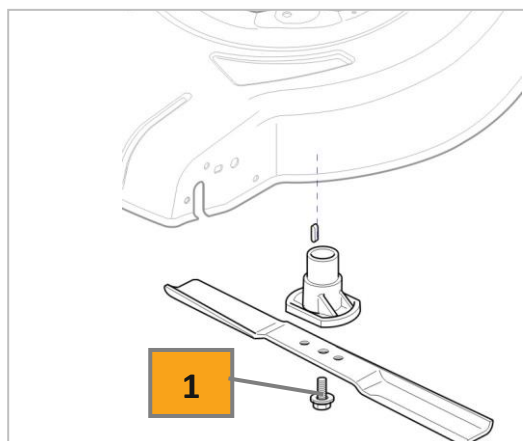
LAWN MOWER



LAWN MOWERS BLADE TORQUE

Tighten the screw (1) accordingly the values listed in the following tables.

| BATTERY VOLT | TECHNICAL LINE | Type (Omologation Name) | MODEL NAME per BRAND | | | | | Torque (Nm) |
|---------------|-----------------------------------|--------------------------------------|--|---|-------------------------|--------------|--------------|-------------|
| | | | STIGA | ALPINK | Mountfield | ATCO | CASTELGARDEN | |
| 80 V | CRUISER CR 43-48 | CS 43 Li 80 | COMBI 43 AE COMBI 43 S AE | AL3 41 Li | S42R PD Li S42 HP Li | LINER 16S Li | - | 18 ÷ 22 |
| | | CS 48 Li 80 | COMBI 48 AE COMBI 48 S AE COMBI 48 SQ AE | AL3 46 Li AL3 46 S Li BL 460 S Li | S46R PD Li S46 HP Li | LINER 18S Li | XC 48 S Li | |
| | MP1 50-55 | MP1 500 Li 80 | COMBI 50 S AE | - | - | - | XS 50 S Li | |
| | | MP1 550 Li 80 | COMBI 55 S AE | - | - | - | - | |
| | MULTICLIP STEEL BATTERY MCS 47-50 | MCS 470 Li 80 | MULTICLIP 47 AE MULTICLIP 47 S AE | - | - | - | - | |
| MCS 500 Li 80 | | MULTICLIP 50 AE MULTICLIP 50 S AE | - | - | - | - | | |



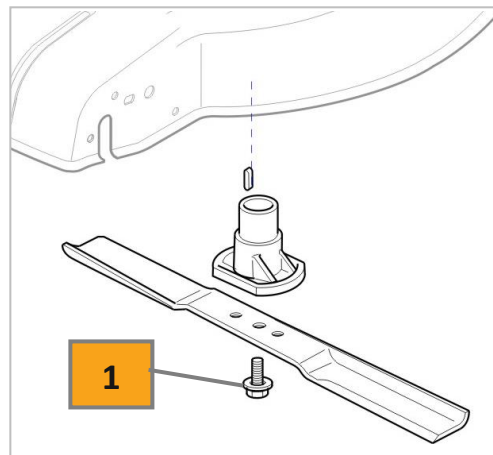


BATTERY LAWN MOWER

LAWN MOWERS BLADE TORQUE

Tighten the screw (1) accordingly the values listed in the following tables.

| BATTERY VOLT | TECHNICAL LINE | Type (Omologation Name) | MODEL NAME per BRAND | | | | | Torque (Nm) |
|-----------------|--------------------------------------|--|---|---|---|-------------|---------------------|----------------|
| | | | STIGA | ALPINK | Mountfield | ATCO | CASTELGARDEN | |
| 48 V | CP-1 BATTERY 43-48-53 | CP1 430 Li D48 CP1 480 Li D48 CP1 480 Li D48 CP1 480 AQ Li D48 CP1 480 AWSQ Li D48 CP1 530 S Li D48 CP1 530 ASQ Li D48 | COMBI 43 Q DAE COMBI 43 Q DAE COMBI 748 Q AE COMBI 748 Q AE Kit COMBI 748 SQ AE COMBI 748 DAE COLLECTOR 543 AE Kit COLLECTOR 548 S AE Kit COMBI 753 SQ AE | AL5 4648 Li Kit AL5 4648 S Li Kit AL5 5148 S Li Kit | EMPRESS 41 Li EMPRESS 46 Li EMPRESS 51 Li | - | - | 18 ÷ 22 |



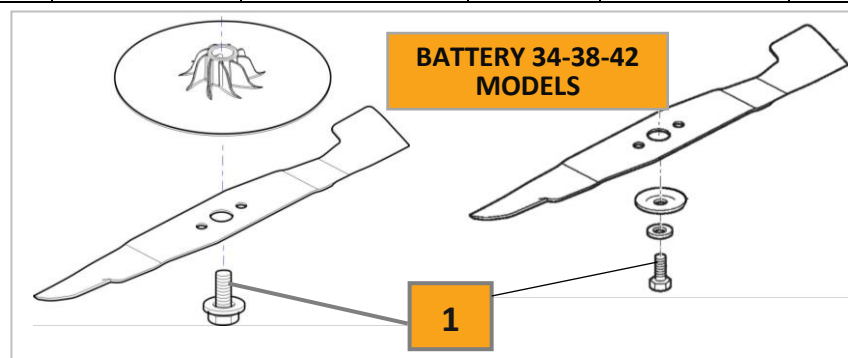
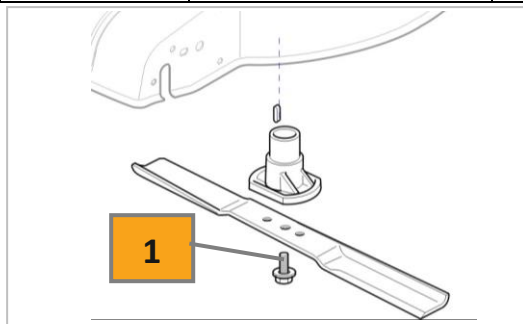


BATTERY LAWN MOWER

LAWN MOWERS BLADE TORQUE

Tighten the screw (1) accordingly the values listed in the following tables.

| BATTERY VOLT | TECHNICAL LINE | Type (Omologation Name) | MODEL NAME per BRAND | | | | | Torque (Nm) | |
|--------------|------------------------------|---|--|------------------------|----------------|---|------------|-------------|---------|
| | | | | | | | | | |
| 48 V | MP1 50-55 | MP1 500 Li D48 MP1 500 ASQ Li D48 | COMBI 50 SQ DAE COMBI 950 SQ DAE | - | - | - | - | 18 ÷ 22 | |
| | | MP1 550 Li D48 MP1 550 AWSQ Li D48 | COMBI 55 SQ DAE | - | - | - | - | | |
| | MP2 50-55 | MP2 500 Li D48 | TWINCLIP 50 SQ DAE TWINCLIP 950 SQ AE | - | - | - | - | | |
| | MULTICLIP STEEL MCS 47-50 | MCS 470 Li D48 MCS 470 ATR Li D48 | MULTICLIP 47 DAE MULTICLIP 47 S DAE MULTICLIP 547 AE MULTICLIP 747 S AE | - | - | - | - | | |
| | | MCS 500 ATR Li D48 MCS 500 ATRX Li D48 | MULTICLIP 50 SX DAE MULTICLIP Pro 50 SX DAE MULTICLIP Pro 50 SX AE | - | - | - | - | | |
| | BATTERY 34-38-42 | EL 340 | COMBI 36 AE SLM 3448 - SLM 3648 | AL1 34 Li BL 340 Li | PRINCESS 34 Li | - | - | | 25 ÷ 30 |
| | | | SLM 536 | - | - | - | - | | |
| | | EL 380 | COMBI 40 AE - SLM 4048 | AL1 38 Li BL 380 Li | PRINCESS 38 Li | - | XP 40 S Li | | 18 ÷ 22 |
| | | | SLM 540 | - | - | - | - | | 25 ÷ 30 |
| | EL 420 | SLM 544 | - | - | - | - | 25 ÷ 30 | | |



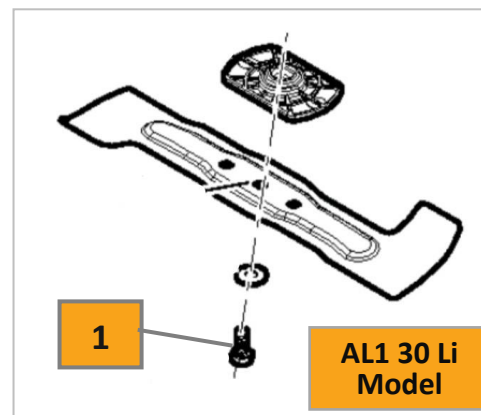
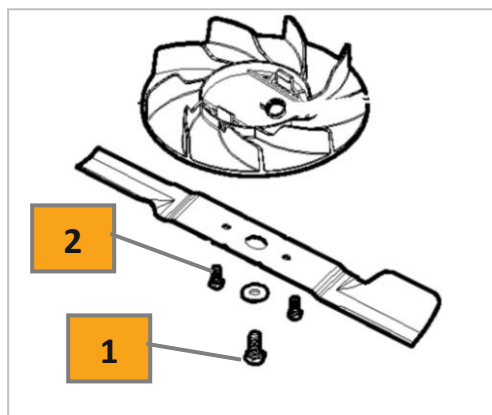


BATTERY LAWN MOWER

LAWN MOWERS BLADE TORQUE

Tighten the screws (1-2) accordingly the values listed in the following tables.

| BATTERY VOLT | TECHNICAL LINE | Type (Omologation Name) | MODEL NAME per BRAND | | | | | Torque (Nm) |
|--------------|----------------|-------------------------|----------------------|-----------------|---------------------|------|--------------|-----------------------------|
| | | | STIGA | ALPINK | Mountfield | ATCO | CASTELGARDEN | |
| 40 V | EB | E 300 LI 40 A | - | AL1 30 Li | - | - | - | 15 ÷ 20 |
| | | E 340 LI 40 A | - | AL1 34 Li | - | - | - | |
| | | E 380 LI 40 A | - | AL1 38 Li | - | - | - | |
| 20 V | EB20V | E 300 LI 20 A | COLLECTOR 132 AE Kit | AL1 3020 LI Kit | ELECTRESS 30 Li Kit | - | - | 1 15 ÷ 20 Nm 2 8 ÷ 11 Nm |
| | | E 300 LI 20 S | | | | | | |
| | | E 340 LI 20 A | COLLECTOR 136 AE Kit | AL1 3420 LI Kit | ELECTRESS 34 Li Kit | - | - | |
| | | E 340 LI 20 S | | | | | | |
| | | E 380 LI 20 A | COLLECTOR 140 AE Kit | AL1 3820 LI Kit | ELECTRESS 38 Li Kit | - | - | |
| | | E 380 LI 20 S | | | | | | |





BATTERY LAWN MOWER

LAWN MOWERS BLADE TORQUE

Tighten the screw (1) accordingly the values listed in the following tables.

| BATTERY VOLT | TECHNICAL LINE | Type (Omologation Name) | MODEL NAME per BRAND | | | | | Torque (Nm) |
|--|--------------------------|-------------------------|-----------------------------------|-----------------------|-----------|-----------------|------------|-------------|
| | | | | | | | | |
| 60 V | CRUISER CR 43-48-53 | CR 43 Li 60 | Combi 43 MAE | BL 410 Li/BL 410 S Li | - | - | XC 43 S Li | 18 ÷ 22 |
| | | CR 48 Li 60 | Combi 48 Q MAE Combi 48 SQ MAE | BL 460 Li/BL 460 S Li | | | XC 48 S Li | |
| | | CR 53 Li 60 | Combi 53 SQ MAE | BL 510 S Li | | | - | |
| | CP-1 BATTERY 43-48 | CP1 430 Li 60 | - | - | S42 PD Li | Quattro 16 S Li | - | |
| | | CP1 480 Li 60 | - | - | S46 PD Li | Quattro 18 S Li | - | |
| MULTICLIP STEEL BATTERY MCS 47-50 | MCS 470 Li 60 | Multiclip 47 MAE | - | - | - | - | | |

