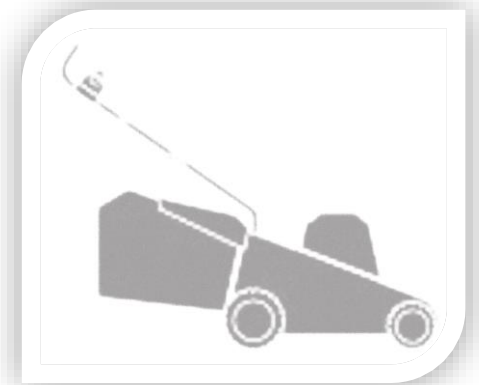
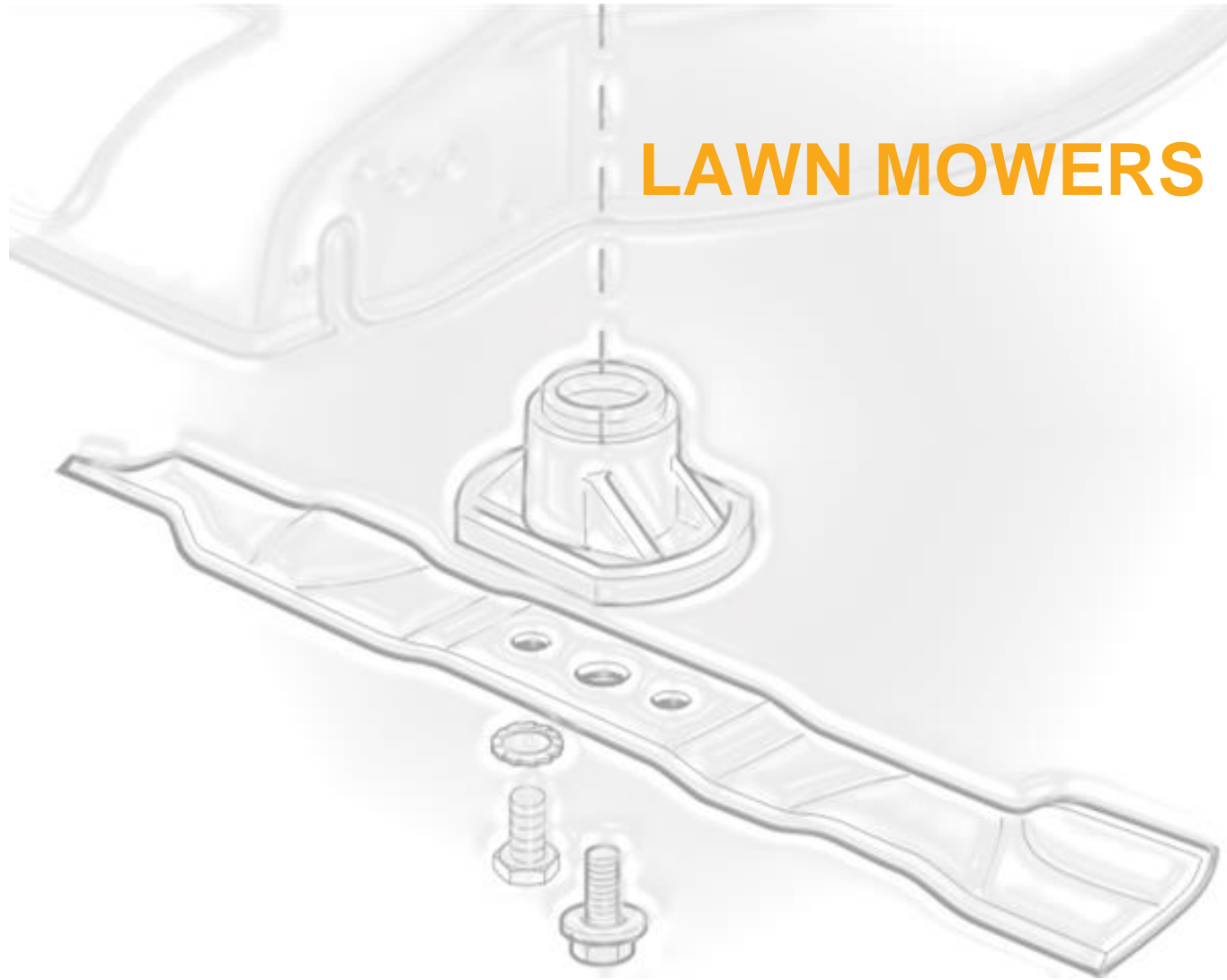


LAWN MOWERS BLADE TORQUE



ELECTRIC Models

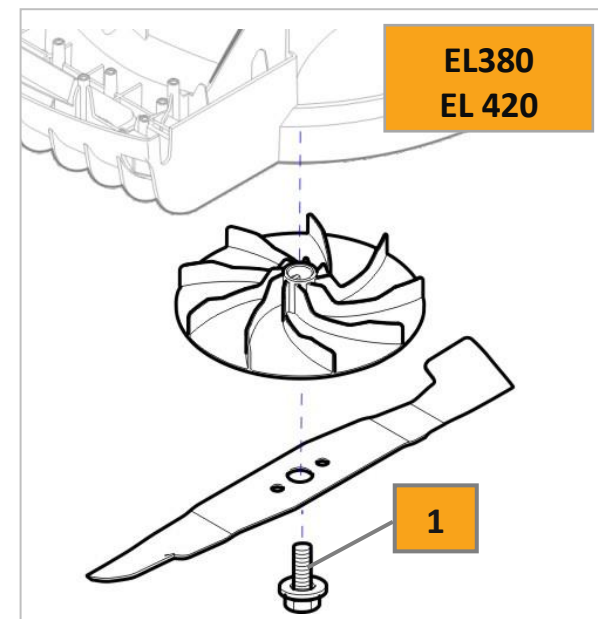
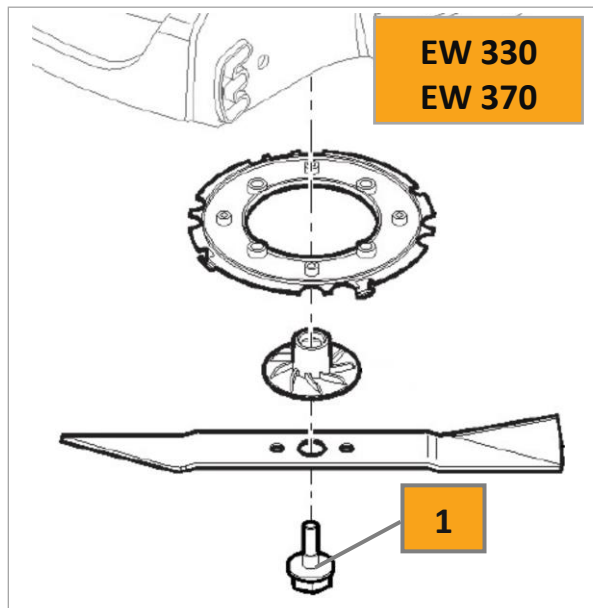
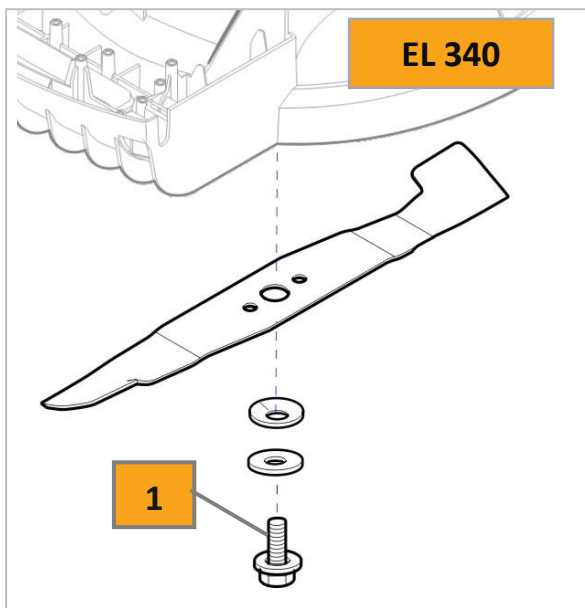


**ELECTRIC
LAWN MOWER**

LAWN MOWERS BLADE TORQUE

Tighten the screw (1) accordingly the values listed in the following tables.

| TECHNICAL LINE | Type (Omologation Name) | MODEL NAME per BRAND | | | | | Torque (Nm) |
|----------------------------|----------------------------|------------------------------|---|----------------------------|--------------|----------------|-------------|
| | | | | | | | |
| ELECTRIC 33-34-37-38-42 | EL 340 | COMBI 36 E | AL1 34 E | PRINCESS 34 | 14 E | XP 36 | 25 ÷ 30 |
| | EW 330 EW 370 | COLLECTOR 35 COLLECTOR 39 | BL 330-BL 370 BL 320 E- BL 380 E BL 30 EP- BL 380 EP BL 420 EP | - | - | XP 35 XP 39 | 16 ÷ 18 |
| | EL 380 EL 420 | COMBI 40 E COMBI 44 E | AL1 38 E AL1 42 E | PRINCESS 38 PRINCESS 42 | 15 E 16 E | XP 40 XP 42 | 18 ÷ 22 |





**ELECTRIC
LAWN MOWER**

LAWN MOWERS BLADE TORQUE

Tighten the screw (1 - 2) accordingly the values listed in the following tables.

| TECHNICAL LINE | Type (Omologation Name) | MODEL NAME per BRAND | | | | | Torque (Nm) |
|------------------------|--------------------------------|-----------------------|-----------------------|---------------|------|--------------|--------------|
| | | STIGA | ALPINK | Mountfield | ATCO | CASTELGARDEN | |
| CRUISER 43/48/53 | CR430/480 CRL 480 - CSL 480 | COMBI 48..... | AL3 46 E AL3 46 SE | - | - | - | 1 16 ÷ 18 Nm |
| EURO STEEL 41/46/53 | ES 460 - ESL460 | COLLECTOR 46 | - | - | - | ES 460 | |
| MULTICLIP | MCS 47 - 50 | MULTICLIP 50 | - | - | - | - | 2 1,5 ÷ 2 Nm |
| NEW TREND 43/48/53 | NT 480 - NTL 480 | - | - | EL 4800 | - | XS 48..... | |

